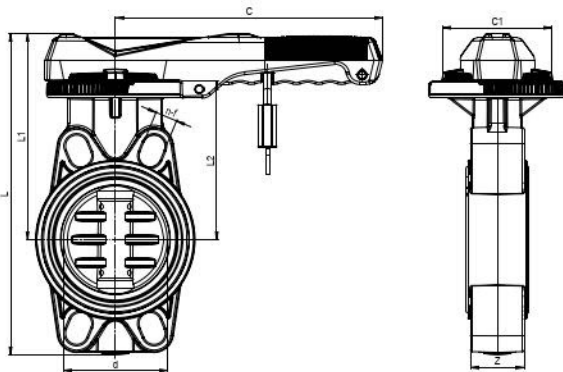


Butterfly Valve

New
Product



Handle from ABS.

The valve can be positioned in desired angle by the help of handle clutches.

Liner from EPDM

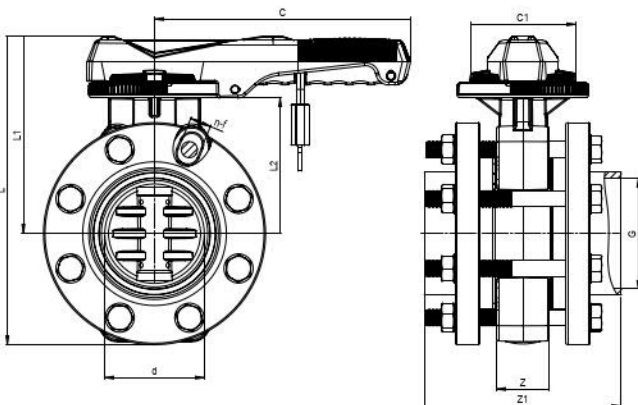
Security padlock hole



mm	Code	d	C	C1	L	L1	L2	n-F	Z	PN	Box
63	131620	48	190	55	223	143	100	4-19	43	16	1
75	131621	69	189	59	244	152	106	25-21	32	16	1
90	131622	78	240	55	270	160	120	8-19	49	16	1
110	131623	101	255	105	430	320	150	20-30	51	16	1
125	131624	126	255	105	460	337	167	23-29	67	16	1
140	131625	126	255	105	460	337	167	23-29	67	16	1
160	131626	146	310	72	382	239	181	8-23	70	10	1
200	131627	199	310	72	452	280	215	8-23	88	10	1
225	131628	199	310	72	452	280	215	8-23	88	10	1
250	131629	250	310	155	450	325	165	10-25	100	10	1
280	131630	280	310	155	480	340	195	10-25	110	10	1
315	131631	300	320	155	500	350	215	10-25	120	10	1

New
Product

Butterfly Valve - Flanged



Handle from ABS.

The valve can be positioned in desired angle by the help of handle clutches.

Liner from EPDM.

Security padlock hole.

Complete with flanges, bolts and nuts.



mm / inch	Code 1 / Code 2	d	C	C1	G / ASTM	L	L1	L2	n-F	Z	PN	Box
63 / -	131600 / -	48	190	55	63 / -	223	143	100	4-19	43	16	1
75 / -	131601 / -	69	189	59	75 / -	244	152	106	25-21	32	16	1
90 / 3"	131602 / 131602ASTM	78	240	55	90 / 88.9	270	160	120	8-19	49	16	1
110 / 4"	131603 / 131603ASTM	101	255	105	110 / 114.3	430	320	150	20-30	51	16	1
125 / -	131604 / -	126	255	105	125 / -	460	337	167	23-29	67	16	1
140 / -	131605 / -	126	255	105	140 / -	460	337	167	23-29	67	16	1
160 / -	131606 / -	146	310	72	160 / -	382	239	181	8-23	70	10	1
200 / -	131607 / -	199	310	72	200 / -	452	280	215	8-23	88	10	1
225 / -	131608 / -	199	310	72	225 / -	452	280	215	8-23	88	10	1
250 / -	131609 / -	250	310	155	250 / -	450	325	165	10-25	100	10	1
280 / -	131610 / -	280	310	155	280 / -	480	340	195	10-25	110	10	1
315 / -	131611 / -	300	320	155	315 / -	500	350	215	10-25	120	10	1