

CIPU POOL & SPA TECHNOLOGY

Add: Western part of Yinxian Ave, Ningbo, China

Postal code: 315176

Tel: + 86 574 8800 1888

Fax: + 86 574 8805 8687

Web: www.usacipu.com



2018 PRODUCT CATALOG

CIPU AQUATIC SYSTEMS

Brief Introduction

We are a private owned company specializing in the manufacture and export of pool products. We are locating in Ningbo City, the second largest sea port in mainland China, enables you fast and convenient transportation. We have a wide range of products from cleaning products to pool pumps; filters; auto pool cleaners/robots; solar panels/showers, pool ladders, underwater lights etc. This is a one-stop shopping station for you!

With a strong management team, talented technical people, new product development professionals and skilled workforces, we have enjoyed fast growth in the past 20 years and become one of leading players in the pool industry in China...

With all these years persistent effort, we have achieved 46 patents; we believe the company without innovation is soulless!

Your support is our best motivation; we truly hope to establish a long term relationship with you.

TABLE OF CONTENTS

SECTION1: PUMPS

COMMER-PRO PUMPS.....	001-002
HIGH PERFORMANCE PUMPS.....	003-010
VARIABLE SPEED PUMPS.....	011-014
EZ VARIABLE SPEED PUMPS.....	015-018
TWIN SPEED PUMPS.....	019-024
SILENCE PUMPS.....	025-026
PREMIER IG PUMPS.....	027-028
CLASSIC IG PUMPS.....	029-030
BOOSTER PUMPS.....	031-032

SECTION 2 : FILTERS

SAND FILTERS	035-044
CARTRIDGE FILTERS	045-046

SECTION 3: FILTER SYSTEMS	049-052
--	----------------

SECTION 4: SALT GENERATOR.....	054-054
---------------------------------------	----------------

SECTION 5: ROBOTIC CLEANERS.....	056-058
---	----------------

SECTION 6: HEAT PUMPS.....	061-068
-----------------------------------	----------------

SECTION 7: LIGHTS.....	070-070
-------------------------------	----------------



CIPU

PUMPS



COMMER-PRO PUMP

COMMER-PRO PUMP

CIPU

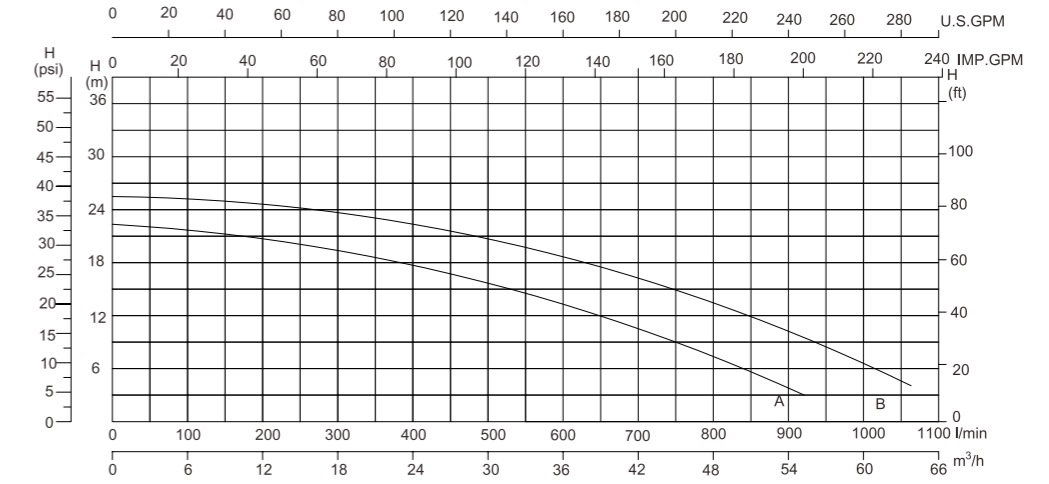


Features and Benefits

- Hydraulic isolator separates priming water from pumping water for faster priming, more turbulent-free flow and increased efficiency
- Dual-compartment motor for simplified field wiring
- Diamond seals made of oxidation-resistant, self-retaining
- Extra-large, robust basket with smooth surface for easy debris removal.
- Easy-carry handle; easily removable, ergonomic lock ring; and see-through lid for easy basket inspection.
- Drop-in replacement for all WhisperFlo Pump models



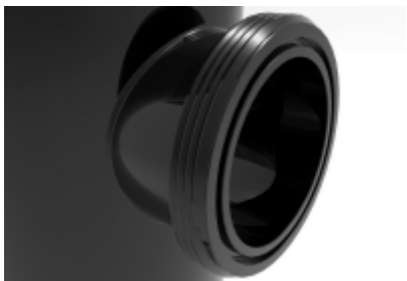
Dimensions And Performance



Pump Performance Curve

MODEL	CURVE
72582	A
72583	B

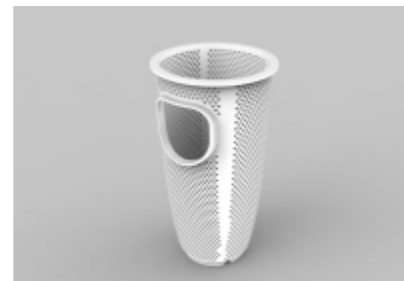
CHARACTERISTICS



3.5 inch heavy -duty threading



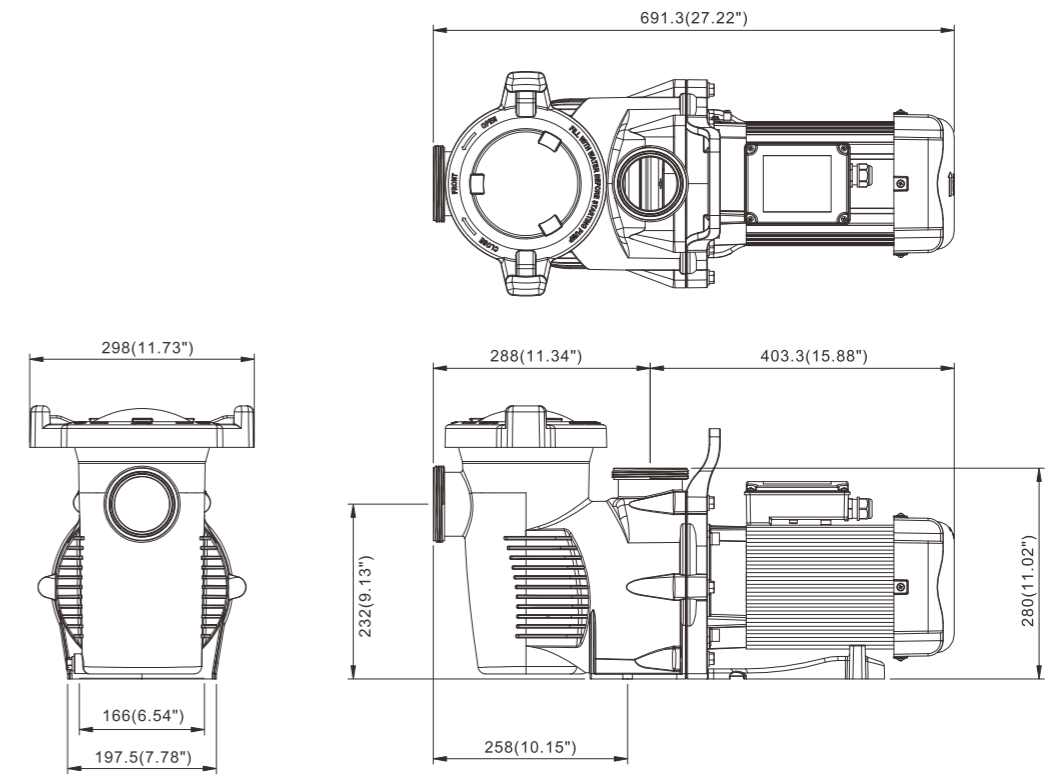
Durable, commercial-grade motor never needs lubrication



Oversized strainer basket extending time between cleaning

Order Guide

Product	Motor Model	Voltage	Hertz	Full Phase Current Amps	Flowrate Gpm(M3/hr)	Output Power HP	Port Size Inch.	Curve Key
ENERGY EFFICIENT SINGLE SPEED FULL RATED-CE								
72582	6707	380	50	4.6	58.5	3	3.5	A
72583	6708	380	50	6.8	65	5	3.5	B
OPTIONAL ACCESSORIES								
91352	Unite Fitting 3.5 in.slip(75mm)							2pcs



HIGH PERFORMANCE PUMP

CIPU



Features and Benefits

- Drop-in replacement for well-know brand pumps, such as SUPER PUMP.
- Exclusive swing-away hand knobs make for easier strainer cover removal: no tools required, no loose parts and no clamps
- Oversized debris basket has extra leaf holding capacity for less frequent maintenance
- Energy-efficient motor with rustproof stainless steel shaft and permanently lubricated, sealed bearings for long life.
- Ideal for pool and spa combinations and for operating in-floor cleaning systems.



Developed using the most advanced engineering tools. Under typical operating conditions, the high performance pump offers the highest water flow of any high performance pump—yet with the lowest electricity consumption.

Order Guide

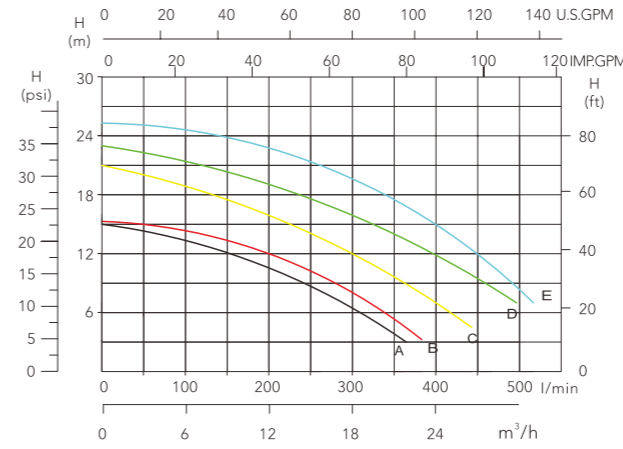
Product	Motor Model	Voltage	Hertz	Full Load	Flowrate	Output Power	SF	Port Size	Net Wt.	Curve
				Amps	Gpm(M3/hr)	HP				
72845	6516	115/230	60	12/6.0	79.3	3/4	1.10	1 1/2	26.8	A
72846	6517	115/230	60	15/7.5	92.5	1	1.10	1 1/2	30.9	B
72847	6518	115/230	60	17/8.5	99.1	1 1/2	1.10	1 1/2	35.4	C
72840	6311	115/230	60	11.8/5.7	96.9	1	1	2	32.5	A
72841	6312	115/230	60	13.6/7.0	102.6	1 1/2	1	2	34.8	B
72842	6313	115/230	60	16.2/8.0	116.7	2	1	2	37.2	C
72843	6314	115/230	60	20.6/10.9	131.2	2 1/2	1	2	40.5	D
72844	6315	230	60	10.8	136.5	3	1	2	43.4	E

OPTIONAL ACCESSORIES

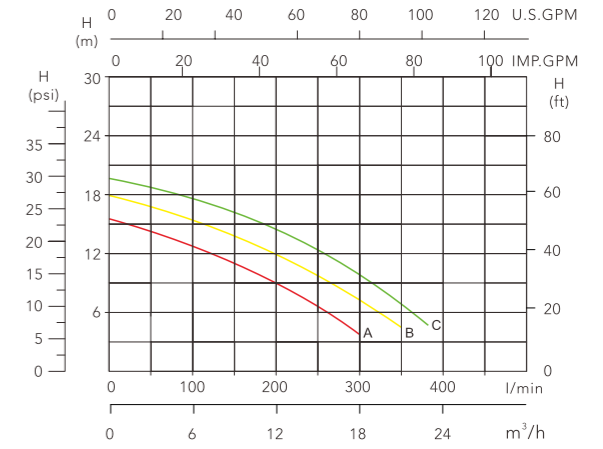
72845-72847										
91385	1 1/2" male threaded(NPT)x 1 1/2" slip(48mm)			2pcs						
72840-72844										
91301	Unite Fitting 2 in.slip(60mm)			2pcs						
647310305080	2 in. NPT			2pcs						
OR 91303	Unite Fitting			2pcs						
647310305080	2 in. NPT 1 1/2 in.slip(48mm)			2pcs						

HIGH PERFORMANCE PUMP

Dimensions And Performance



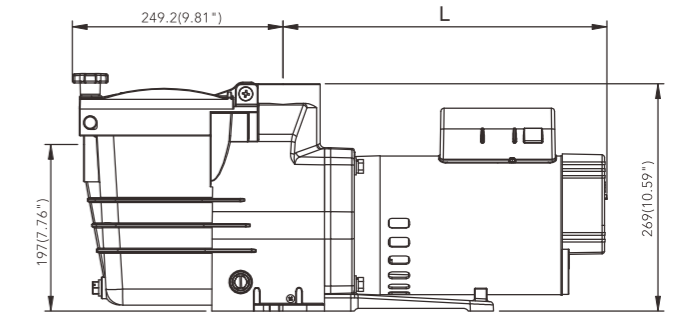
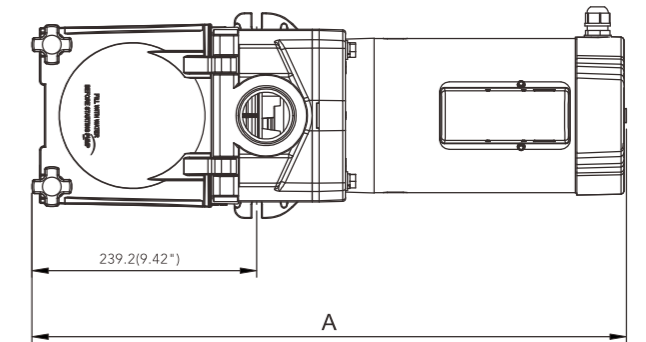
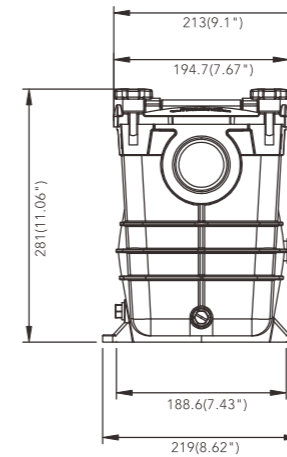
72840-72844



72845-72847

Pump Performance Curve

MODEL	CURVE
72840	A
72841	B
72842	C
72843	D
72844	E
72845	A
72846	B
72847	C



MODEL	L	A
72840		
72841	383(15.08")	632(24.88")
72842		
72843	423(16.65")	672(26.46")
72844		

MODEL	L	A
72845	368(14.49")	609(23.98")
72846	380(14.96")	621(24.45")
72847	400(15.75")	641(25.24")

HIGH PERFORMANCE PUMP

CIPU



Features and Benefits

- Drop-in replacement for well-know brand pumps, such as WHISPFLO PUMPS.
- Hydraulic isolator separates priming water from pumping water for faster priming, more turbulent-free flow and increased efficiency.
- Oversized strainer basket extends time between cleanings.
- See-through lid makes inspection fast and easy-engineered polymer remains clear and strong for years.
- Advanced seals made of oxidation-resistant, self-retaining EPDM rubber for invreased durability and tighter seal.
- Energy-efficient motor with rustproof stainless steel shaft and permanently lubricated, sealed bearings for long life.
- Ideal for pool and spa combinations and for operating in-floor cleaning systems.

Developed using the most advanced engineering tools. Under typical operating conditions, the high performance pump offers the highest water flow of any high performance pump—yet with the lowest electricity consumption.

Order Guide

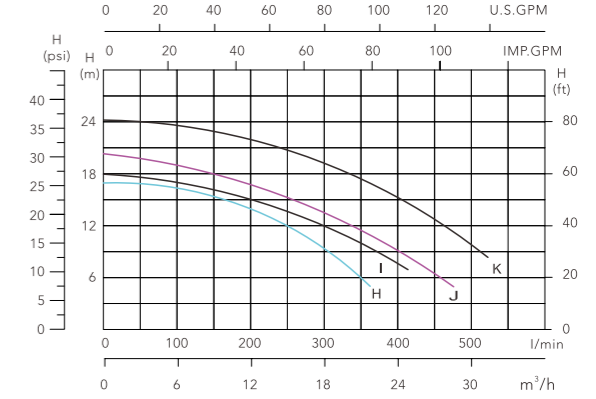
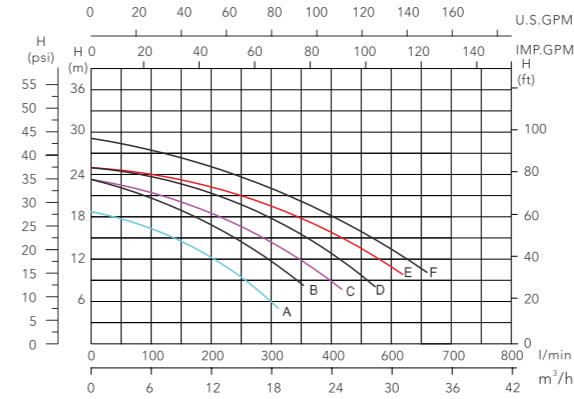
Product	Motor Model	Voltage	Hertz	Full Load Amps	Flowrate Gpm(M3/hr)	Output Power HP	SF	Port Size Inch.	Net Wt. Lbs.(Kgs)	Curve Key
ENERGY EFFICIENT SINGLE SPEED FULL RATED-ETL										
72768	6301	230/115	60	4.6/9.2	68.9	1/2	1.95	2	34.2	A
72769	6302	230/115	60	6.8/13.8	80.6	3/4	1.67	2	36.8	B
72770	6303	230/115	60	8.0/15.3	88	1	1.65	2	39.5	C
72771	6304	230/115	60	9.3/18.8	97	1 1/2	1.47	2	42.1	D
72772	6305	230	60	9.8	103.4	2	1.3	2	44	E
72773	6306	230	60	14.7	118.4	3	1.15	2	49.2	F
ENERGY EFFICIENT SINGLE SPEED FULL RATED-CE										
72574	6420	220-240	50	8.5	(26.5)	2	1	2	(20)	J
72575	6421	220-240	50	13.5	(31)	3	1	2	(22.3)	K
72576	6422	220-240	50	5	(21.4)	1	1	2	(18)	H
72577	6423	220-240	50	6.7	(25.5)	1 1/2	1	2	(19)	I

OPTIONAL ACCESSORIES

OPTION 1		
91301	unit fitting 2in.slip(60mm)	2pcs
OR 91303	unit fitting 1 1/2 in. slip(48mm)	2pcs
OPTION 2		
91302	unit fitting 2in.slip(63mm)	2pcs
OR 91304	unit fitting 1 1/2 in. slip(50mm)	2pcs

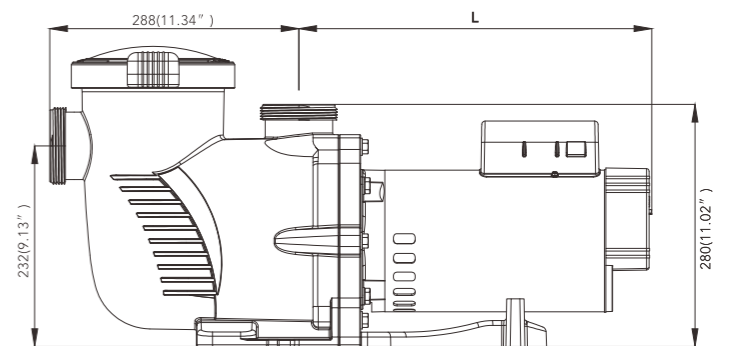
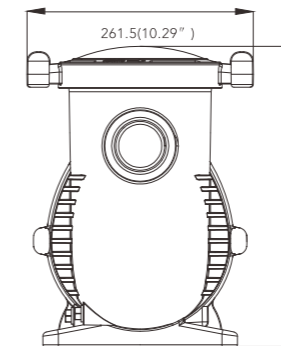
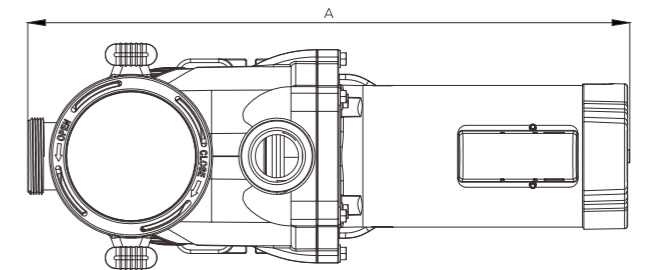
HIGH PERFORMANCE PUMP

Dimensions And Performance



Pump Performance Curve

MODEL	CURVE
72768	A
72769	B
72770	C
72771	D
72772	E
72773	F
72574	J
72575	K
72576	H
72577	I



MODEL	L	A
72768		
72769	368(14.48")	656(25.82")
72770		
72771		
72772	408(16.06")	696(27.40")
72773		

MODEL	L	A
72576	368(14.48")	656(25.82")
72574		
72575	408(16.06")	696(27.40")
72577		

HIGH PERFORMANCE PUMP

CIPU



Features and Benefits

- Drop-in replacement for well-know brand pumps.
- Self-priming, suction lift up to 8' above water level.
- Oversized strainer basket extends time between cleanings.
- See-through lid makes inspection fast and easy-engineered polymer remains clear and strong for years.
- Heavy-duty, high performance motor with airflow ventilation for quieter, cooler operation .
- Energy-efficient motor with rustproof stainless steel shaft and permanently lubricated, sealed bearings for long life.
- Ideal for pool and spa combinations and for operating in-floor cleaning systems.

The high-performance pump features full-flow hydraulics that allows greater flow at a lower cost of operation and a housing design that makes it as quiet as it is dependable. This pump also features a heavy-duty high performance motor for quieter, cooler operation.

Order Guide

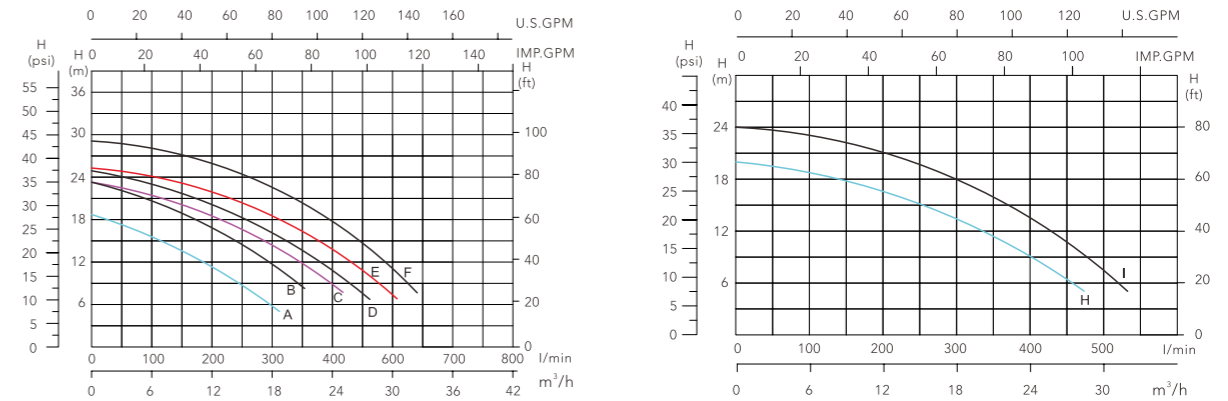
Product	Motor Model	Voltage	Hertz	Full Load	Flowrate	Output Power	SF	Port Size	Net Wt.	Curve
				Amps	Gpm(M3/hr)	HP				
ENERGY EFFICIENT SINGLE SPEED FULL RATED-ETL										
72783	6301	230/115	60	4.5/8.9	69.6	1/2	1.95	2	32.5	A
72784	6302	230/115	60	6.7/13.5	81.7	3/4	1.67	2	35	B
72785	6303	230/115	60	7.4/15.0	89	1	1.65	2	37.8	C
72786	6304	230/115	60	9.2/18.5	97	1 1/2	1.47	2	40.4	D
72787	6305	230	60	9.7	104.5	2	1.3	2	42.3	E
72788	6306	230	60	14.8	118.8	3	1.15	2	47.5	F
ENERGY EFFICIENT SINGLE SPEED FULL RATED-CE										
72578	6420	220-240	50	8.5	(26.5)	2	1	2	(18.3)	H
72579	6421	220-240	50	13.5	(31)	3	1	2	(20.3)	I

OPTIONAL ACCESSORIES

OPTION 1										
	91301	unit fitting 2in.slip(60mm)	2pcs							
OR	91303	unit fitting 1 1/2 in. slip(48mm)	2pcs							
OPTION 2										
	91302	unit fitting 2in.slip(63mm)	2pcs							
OR	91304	unit fitting 1 1/2 in. slip(50mm)	2pcs							

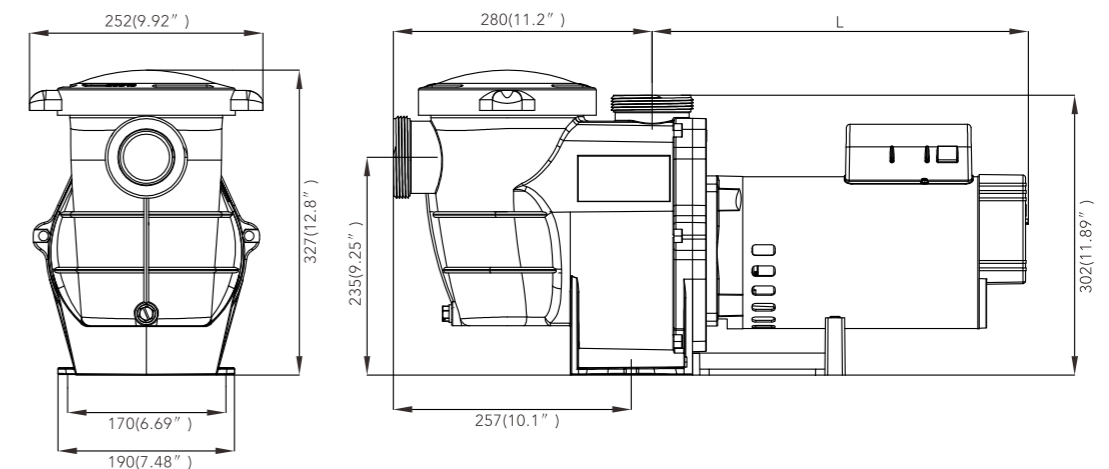
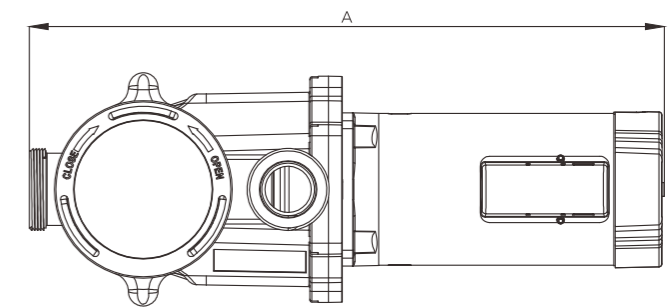
HIGH PERFORMANCE PUMP

Dimensions And Performance



Pump Performance Curve

MODEL	CURVE
72783	A
72784	B
72785	C
72786	D
72787	E
72788	F
72578	H
72579	I



MODEL	L	A
72783		
72784	366(14.41")	646(25.43")
72785		
72786		
72787	406(15.98")	686(27")
72788		
72578	406(15.98")	686(27")
72579		

HIGH PERFORMANCE PUMP

CIPU



Features and Benefits

- Drop-in replacement for well-know brand pumps, such as GOLDEN SERIES PUMPS.
- Self-priming, suction lift up to 8' above water level.
- Oversized strainer basket extends time between cleanings.
- See-through lid makes inspection fast and easy-engineered polymer remains clear and strong for years.
- Advanced seals made of oxidation-resistant, self-retaining EPDM rubber for invreased durability and tighter seal.
- Heavy-duty, high performance motor with airflow ventilation for quieter, cooler operation.
- Ideal for pool and spa combinations and for operating in-floor cleaning systems.

Combining maximum performance with durable, corrosion-proof materials, the high performance pumps are an exceptional value. This high-performance pump also features full-flow hydraulics that allows greater flow at a lower cost of operation and a housing design that makes it as quite as it is dependable. This pump also features a heavy-duty high performance motor for quieter, cooler operation.

Order Guide

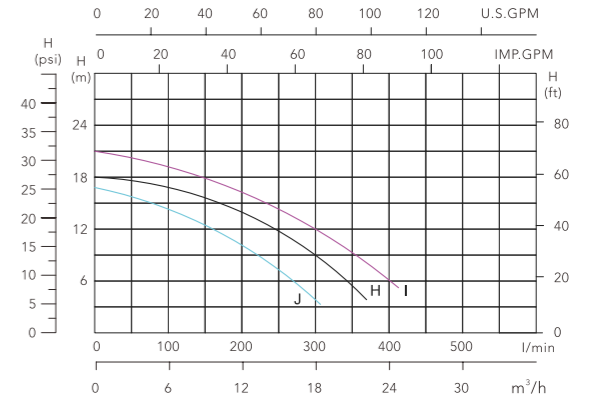
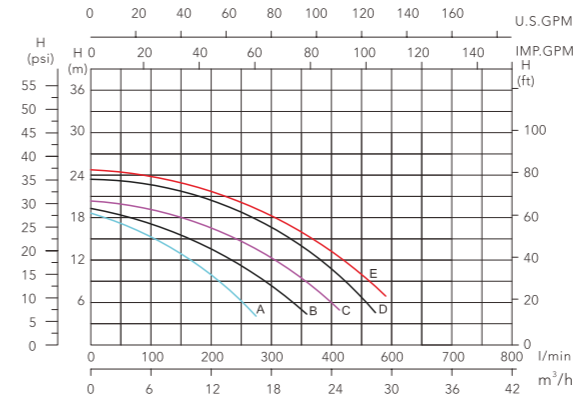
Product	Motor Model	Voltage	Hertz	Full Load Amps	Flowrate Gpm(M3/hr)	Output Power HP	SF	Port Size Inch.	Net Wt. Lbs.(Kgs)	Curve Key
ENERGY EFFICIENT SINGLE SPEED FULL RATED-ETL										
72778	6311	230/115	60	4.3/8.5	66.7	3/4	1.2	1 1/2	34.3	A
72779	6312	230/115	60	5.7/11.4	77	1	1.2	1 1/2	37.2	B
72780	6313	230/115	60	6.2/12.5	80.6	1 1/2	1.2	2	39.8	C
72781	6314	230/115	60	9.2/18.4	97	2	1.1	2	41.7	D
72782	6315	230	60	10.8	102.5	2 1/2	1.1	2	44.4	E
ENERGY EFFICIENT SINGLE SPEED FULL RATED-CE										
72562	6601	220-240	50	4.5	17.5	1	1	1 1/2	(17)	J
72580	6425	220-240	50	6	23.7	1 1/2	1	2	(18)	H
72581	6424	220-240	50	9.5	27	2	1	2	(19)	I

OPTIONAL ACCESSORIES

72562	91386	1 1/2" male threaded(NPT)x 1 1/2 slip(50mm)	2pcs
72778/72779/72780/72781/72782/72580/72581			
OPTION 1			
	647310305080	2 in. NPT	2pcs
	91301	Unite Fitting 2 in.slip(60mm)	2pcs
OR	91303	Unite Fitting 1 1/2 in.slip(48mm)	2pcs
OPTION 2			
	647310305080	2 in. NPT	2pcs
	91302	Unite Fitting 2 in.slip(63mm)	2pcs
OR	91304	Unite Fitting 1 1/2 in.slip(50mm)	2pcs

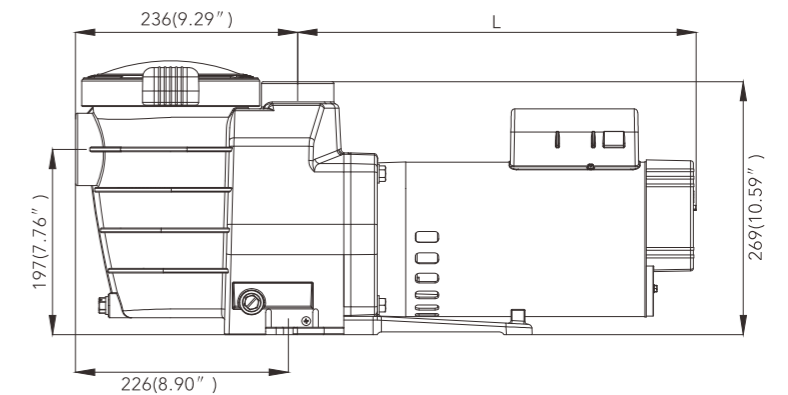
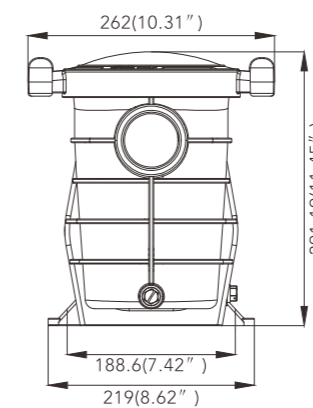
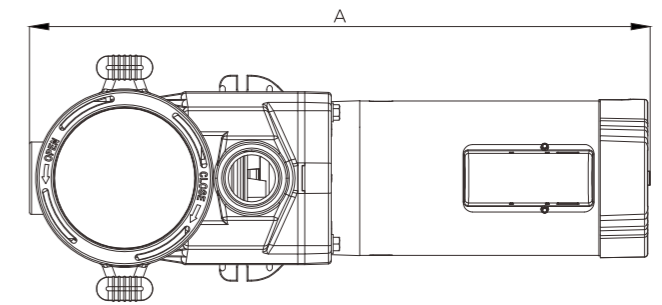
HIGH PERFORMANCE PUMP

Dimensions And Performance



Pump Performance Curve

MODEL	CURVE
72778	A
72779	B
72780	C
72781	D
72782	E
72562	J
72580	H
72581	I



MODEL	L	A
72778	383.4(15.09")	619(24.38")
72779	383.4(15.09")	619(24.38")
72780	383.4(15.09")	619(24.38")
72781	423.4(16.67")	659.4(25.96")
72782	423.4(16.67")	659.4(25.96")

MODEL	L	A
72580	383.4(15.09")	619.4(24.38")
72581	423.4(16.67")	659.4(25.96")
72562	360.2(14.18")	596.2(23.47")

VARIABLE SPEED POOL PUMP

CIPU



Features and Benefits

- Ability to program exact pump speeds for specific operations – filtering, heating, cleaning, spa jets, water features and more – minimize energy costs.
- 8 speed settings and on-board scheduling LCD screen with keypad for easy programming (750rpm to 3450rpm).
- Safety lock-out feature prevents pump speed settings from being changed by unauthorized personnel.
- Built-in diagnostics protect the pump from the most common causes of failure – freezing and voltage irregularities.
- Permanent magnet motor provides extremely high efficient and reliability.
- Balanced hydraulics pump design, operates quietly, especially at energy-saving lower speeds.
- Fully factory test.

Variable-speed pumps are the ultimate way to save energy while enjoying your pool. Most other variable speed models, however, are oversized when compared to medium-head pumps. This series is right-sized, particularly for applications with 2" plumbing, providing tremendous energy savings that result in an even faster return on your investment.

Order Guide

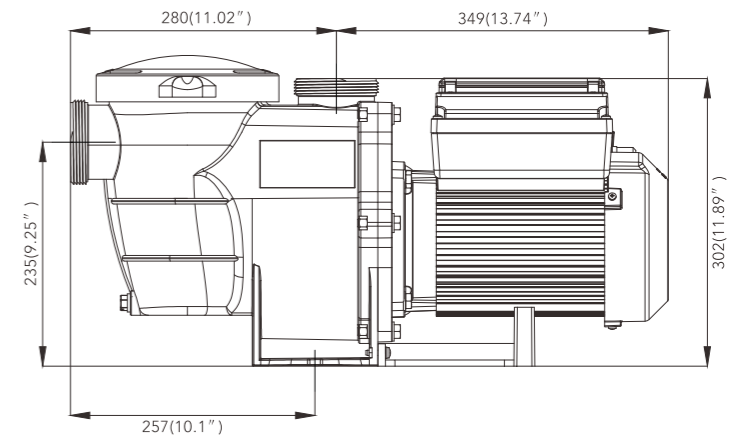
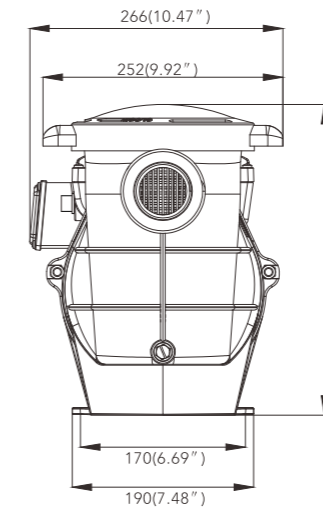
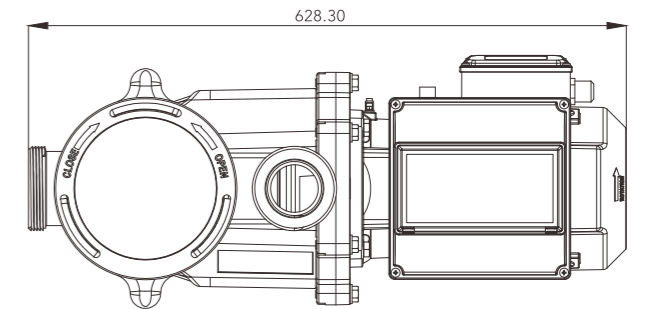
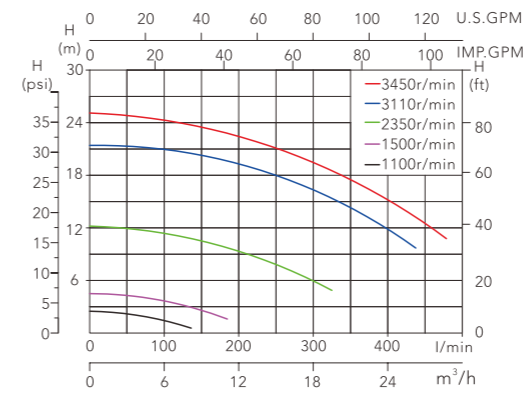
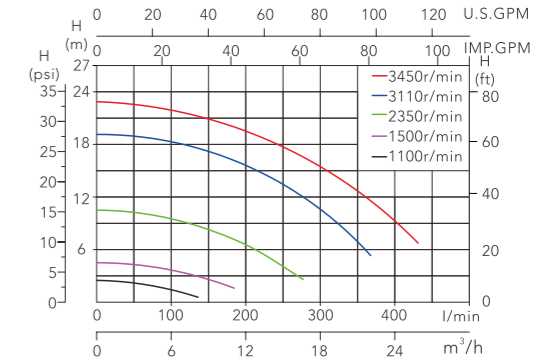
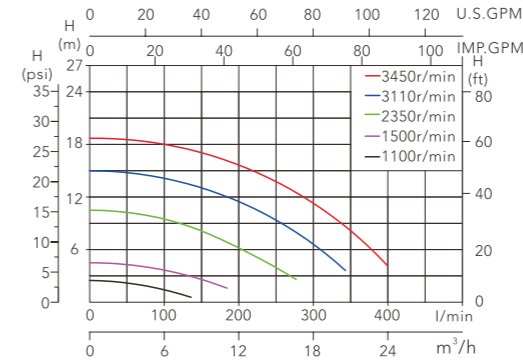
Product	Motor Model	Voltage	Hertz	Full Load Amps	Flowrate Gpm(M3/hr)	Output Power HP	Port Size Inch.	Net Wt. Lbs.(Kgs)	Curve Key
72553	6701	230	50/60	0.4-5.5	97	1 1/2	2	30.2	
72557	6702	230	50/60	0.4-7.1	116.8	2	2	32.5	
72558	6703	230	50/60	0.4-10.6	140	3	2	37.7	

OPTIONAL ACCESSORIES

OPTION 1									
	91301	unit fitting 2in.slip(60mm)	2pcs						
OR	91303	unit fitting 1 1/2 in. slip(48mm)	2pcs						
OPTION 2									
	91302	unit fitting 2in.slip(63mm)	2pcs						
OR	91304	unit fitting 1 1/2 in. slip(50mm)	2pcs						

VARIABLE SPEED POOL PUMP

Dimensions And Performance



VARIABLE SPEED POOL PUMP

CIPU



Features and Benefits

- Automatically monitors and adjusts flow rates to optimize performance and minimize energy use - reduces energy consumption by up to 90%
- Built-in diagnostics protect the pump for longer service life
- 8 speed settings and on-board scheduling LCD screen with keypad for easy programming (750rpm to 3450rpm)
- Safety lock-out feature prevents pump speed settings from being changed by unauthorized personnel.
- Built-in diagnostics protect the pump from the most common causes of failure – freezing and voltage irregularities.
- Permanent magnet motor provides extremely high efficient and reliability.
- Balanced hydraulics pump design, operates quietly, especially at energy-saving lower speeds.
- Fully factory test.

This is the smartest swimming pool pump generation. Its onboard computer and intelligent software automatically calculate and program the minimum flow requirements for every pool task - filtering, heating, cleaning, spa jets, water features and more - to optimize performance and minimize energy use. As functions/tasks change, it self-adjusts to maintain optimal flow rates for further energy savings.

Order Guide

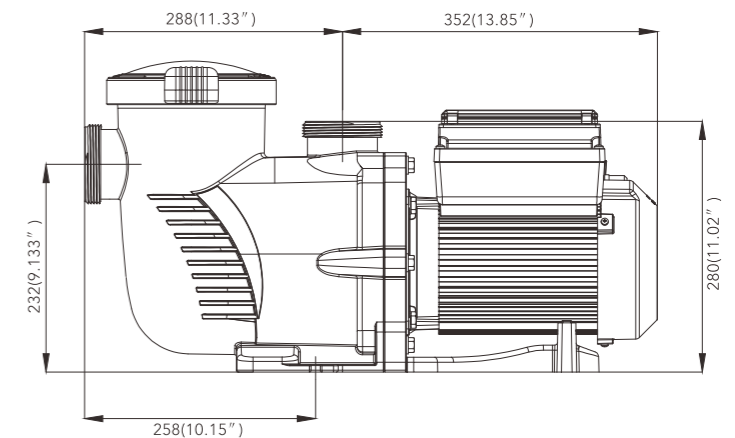
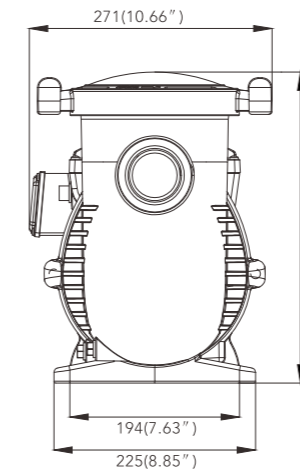
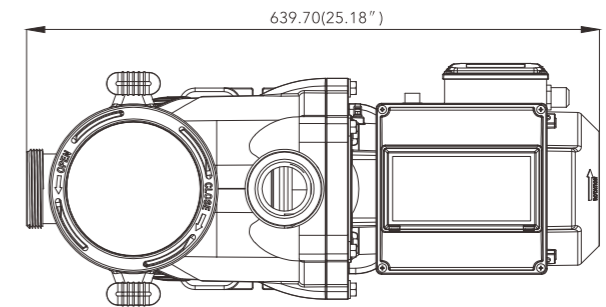
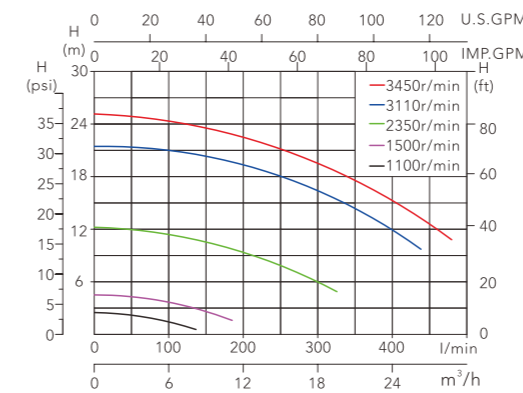
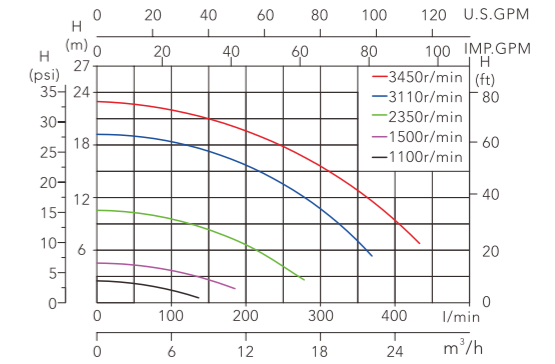
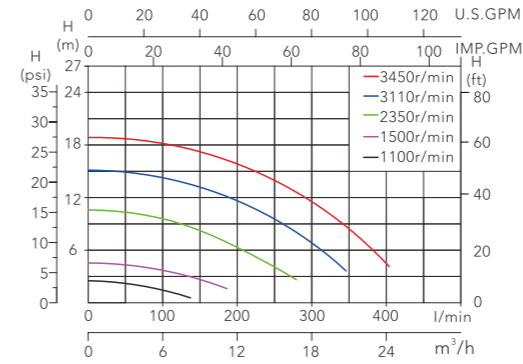
Product	Motor Model	Voltage	Hertz	Full Load Amps	Flowrate Gpm(M3/hr)	Output Power HP	Port Size Inch.	Net Wt. Lbs.(Kgs)	Curve Key
72554	6701	230	50/60	0.4-5.5	97	1 1/2	2	32	
72555	6702	230	50/60	0.4-7.1	116.8	2	2	34.2	
72556	6703	230	50/60	0.4-10.6	140	3	2	39.4	

OPTIONAL ACCESSORIES

OPTION 1									
	91301	unit fitting 2in.slip(60mm)	2pcs						
OR	91303	unit fitting 1 1/2 in. slip(48mm)	2pcs						
OPTION 2									
	91302	unit fitting 2in.slip(63mm)	2pcs						
OR	91304	unit fitting 1 1/2 in. slip(50mm)	2pcs						

VARIABLE SPEED POOL PUMP

Dimensions And Performance

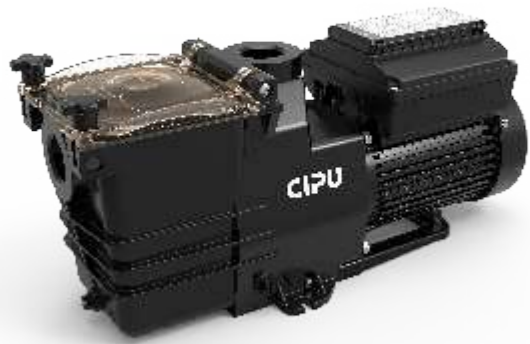


EZ VARIABLE SPEED POOL PUMP

EZ VARIABLE SPEED POOL PUMP

EZ VARIABLE SPEED POOL PUMP

CIPU



Features and Benefits

- Drop-in replacement for well-know brand pumps, such as SUPER PUMP.
- Exclusive swing-away hand knobs makes for easier strainer cover removal: no tools required, no loose parts and no clamps
- Oversized debris basket has extra leaf holding capacity for less frequent maintenance
- Easier operation comparing with existing models; run under pre-programmed conditions:ECO/CLEAN/BOOST.



This variable speed pump is designed to operate your swimming pool filtration system as well as your spa, waterfall, cleaner, heater, salt chlorine system and other water applications. Using the control panel, you can run your pump on one of three scheduled programs:ECO, 16hrs clean cycle, and 24hrs clean cycle

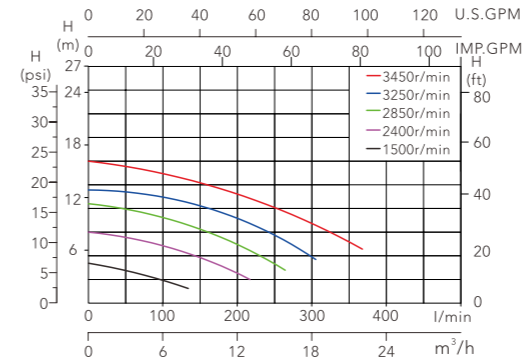
Order Guide

Product	Motor Model	Voltage	Hertz	Full Load	Flowrate	Output Power	Port Size	Net Wt.	Curve
				Amps	Gpm(M3/hr)	HP			
72522	6710	230	50/60	0.4-5.5	95	1 1/2	1 1/2	32.8	
72523	6710	230	50/60	0.4-5.5	105	1 1/2	2	33.4	
72525	6712	230	50/60	0.4-9.5	131	3	2	36.2	

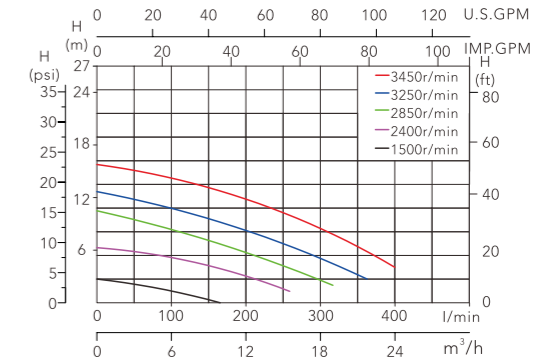
OPTIONAL ACCESSORIES

72522									
OR 91385	1 1/2" male threaded(NPT)x 1 1/2"slip(48mm)	2pcs							
OR 91386	1 1/2" male threaded(NPT)x 1 1/2"slip(50mm)	2pcs							
91301	Unite Fitting 2 in.slip(60mm)	2pcs							
72523/72525		2pcs							
647310305080	2 in. NPT	2pcs							
91301	Unite Fitting 2 in.slip(60mm)	2pcs							
OR 647310305080	2 in. NPT	2pcs							
91302	Unite Fitting 2 in.slip(63mm)	2pcs							

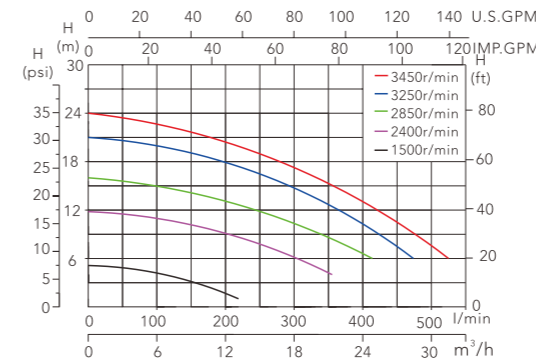
Dimensions And Performance



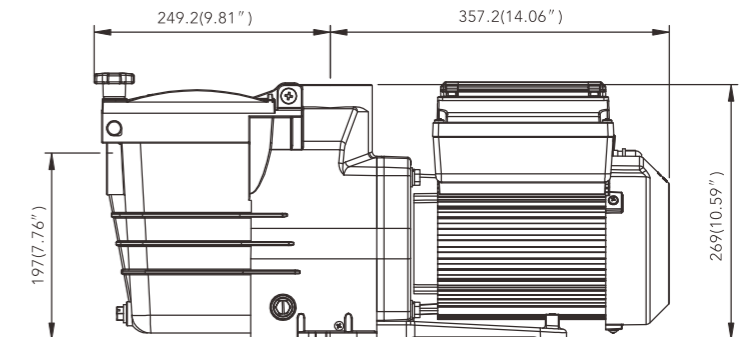
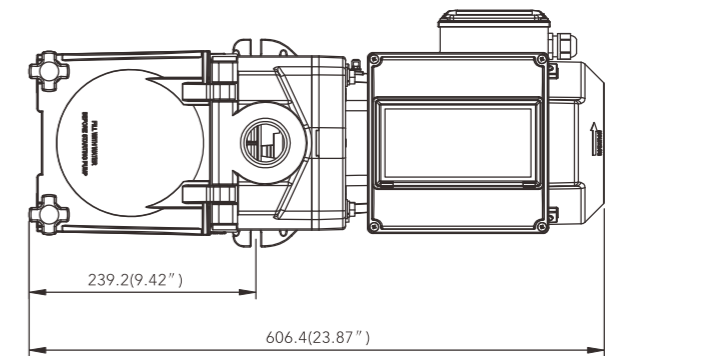
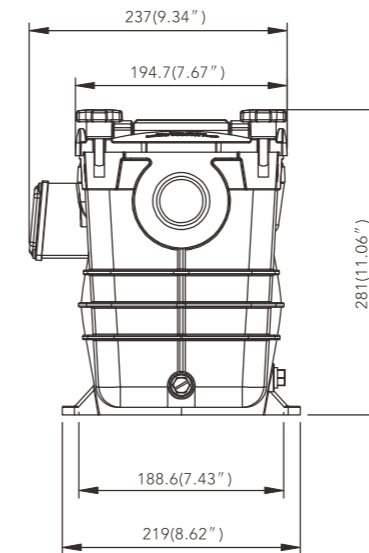
72522 1.5HP 1.5"



72523 1.5HP 2"



72525 3HP 2"



EZ VARIABLE SPEED POOL PUMP

EZ VARIABLE SPEED POOL PUMP

EZ VARIABLE SPEED POOL PUMP

CIPU



Features and Benefits

- Drop-in replacement for well-know brand pumps.
- Safety lock-out feature prevents pump speed settings from being changed by unauthorized personnel.
- Oversized debris basket has extra leaf holding capacity for less frequent maintenance.
- Easier operation comparing with existing models; run under pre-programmed conditions:ECO/CLEAN/BOOST.



This variable speed pump is designed to operate your swimming pool filtration system as well as your spa, waterfall, cleaner, heater, salt chlorine system and other water applications. Using the control panel, you can run your pump on one of three scheduled programs:ECO, 16hrs clean cycle, and 24hrs clean cycle

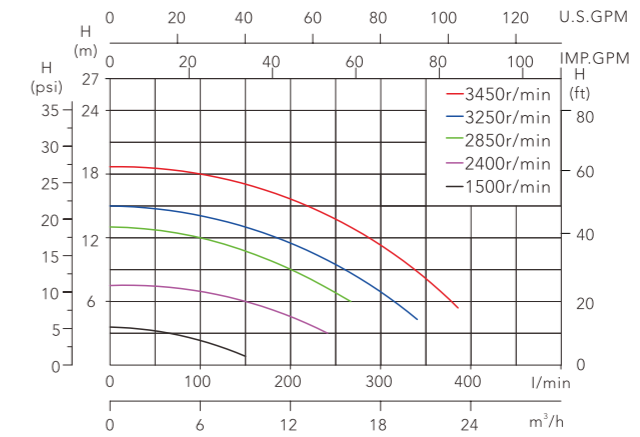
Order Guide

Product	Motor Model	Voltage	Hertz	Full Load Amps	Flowrate Gpm(M3/hr)	Output Power HP	Port Size Inch.	Net Wt. Lbs.(Kgs)	Curve Key
72559	6709	230	50/60	0.4-5.5	95	1 1/2	2	33.9	

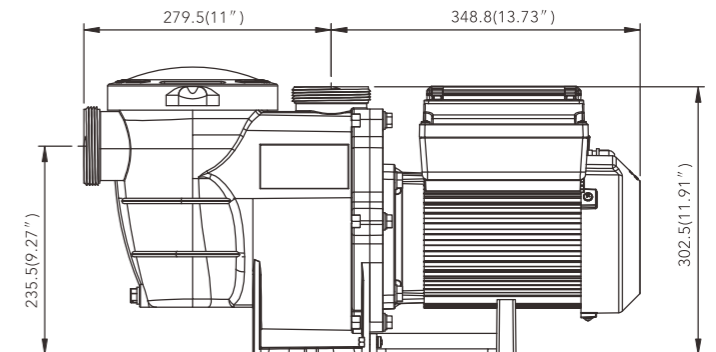
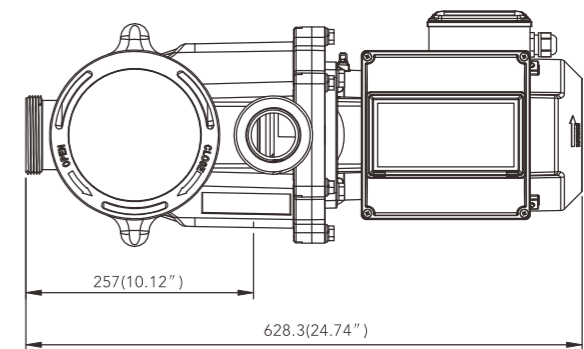
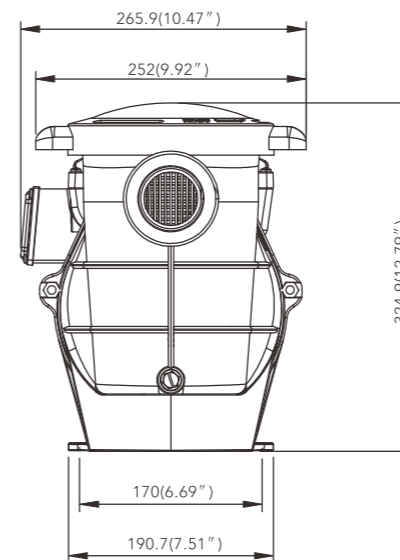
OPTIONAL ACCESSORIES

OPTION 1										
	91301	unit fitting 2in.slip(60mm)	2pcs							
OR	91303	unit fitting 1 1/2 in. slip(48mm)	2pcs							
OPTION 2										
	91302	unit fitting 2in.slip(63mm)	2pcs							
OR	91304	unit fitting 1 1/2 in. slip(50mm)	2pcs							

Dimensions And Performance



72559 1.5HP 2"



TWIN SPEED POOL PUMP



Features and Benefits

- 2850RPM for high speed and 1420RPM for low speed(CE) or 3450RPM for high speed and 1720RPM for low speed(ETL), use intelligent controller to program the filtration.
- Use the most cost saving pump to achieve energy consumption reducing.
- Quiet by design.
- Fully programmable, self-contained 24-hour time clock with high speed running time and low speed running time.
- No additional controller or time clock needed.
- Extra leaf-holding capacity basket extends time between cleanings
- Includes digital control.
- Fully factory test



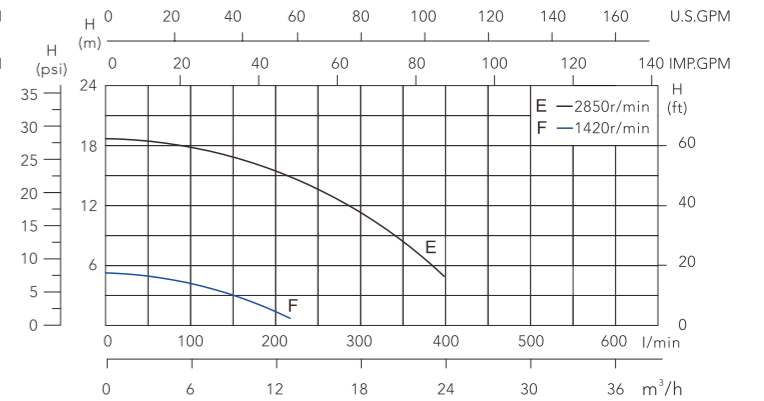
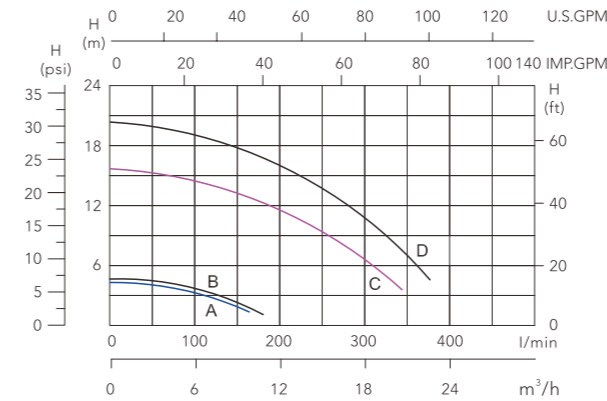
It is designed for today's increasing energy saving requirements. Tests prove that running in low speed can save pool owners up to 75% on energy costs compared to ordinary single speed pump. Dual-speed pump can match pump flow to a pool's needs, versus running at full power 100% of the time. Integrated controller is programmable with a self-contained 24-hour clock to manage flow throughout the day.

Order Guide

Product	Motor Model	Voltage	Hertz	Full Load Amps	Flowrate Gpm(M3/hr)	Output Power HP	Port Size Inch.	Net Wt. Lbs.(Kgs)	Curve Key
ENERGY EFFICIENT TWIN SPEED FULL RATED-ETL									
72754C	6581	115	60	12/3.6	83	1	2	28	C/A
72755C	6583	230	60	7.5/2.1	97	1 1/2	2	33	D/B
ENERGY EFFICIENT TWIN SPEED FULL RATED-CE									
72533C	6418	220-240	50	5.9/2	(24.5)	1 1/2	2	(15.1)	E/F
OPTIONAL ACCESSORIES									
OPTION 1									
	91301	unit fitting 2in.slip(60mm)	2pcs						
OR	91303	unit fitting 1 1/2 in. slip(48mm)	2pcs						
OPTION 2									
	91302	unit fitting 2in.slip(63mm)	2pcs						
OR	91304	unit fitting 1 1/2 in. slip(50mm)	2pcs						

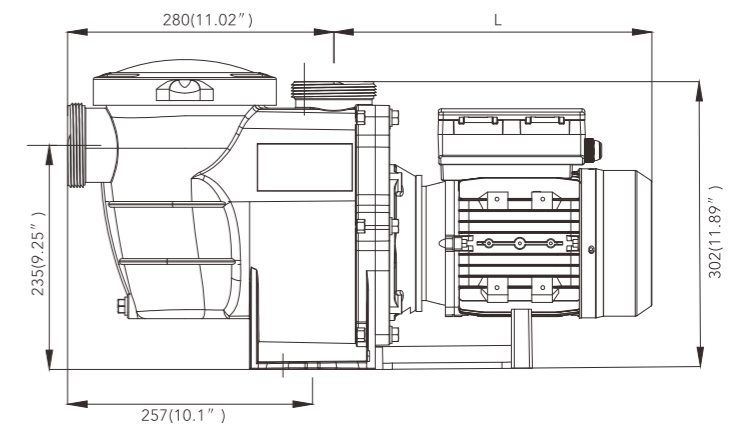
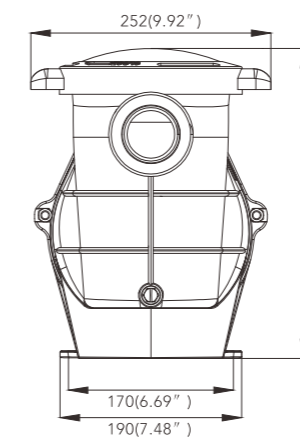
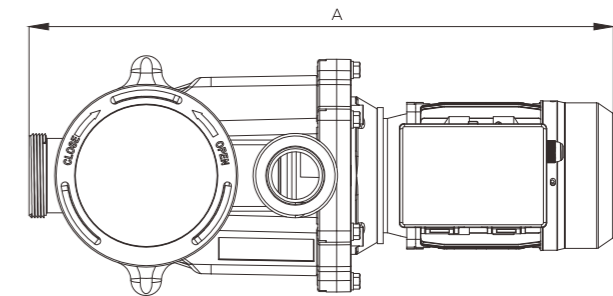
TWIN SPEED POOL PUMP

Dimensions And Performance



Pump Performance Curve

MODEL	RPM	CURVE
72754C	3450r/min	C
	1720r/min	A
72755C	3450r/min	D
	1720r/min	B
72533C	2850r/min	E
	1420r/min	F



MODEL	L	A
72754C	402(15.82")	681(26.81")
72755C	358(14.09")	637(25.07")
72533C	331(13.03")	611(24.05")

TWIN SPEED POOL PUMP

CIPU



Features and Benefits

- 2850RPM for high speed and 1420RPM for low speed(CE) or 3450RPM for high speed and 1720RPM for low speed(ETL) , use intelligent controller to program the filtration.
- Use the most cost saving pump to achieve energy consumption reducing
- Quiet by design.
- Fully programmable, self-contained 24-hour time clock with high speed running time and low speed running time.
- No additional controller or time clock needed.
- Extra leaf-holding capacity basket extends time between cleanings.
- Includes digital control.
- Fully factory test.

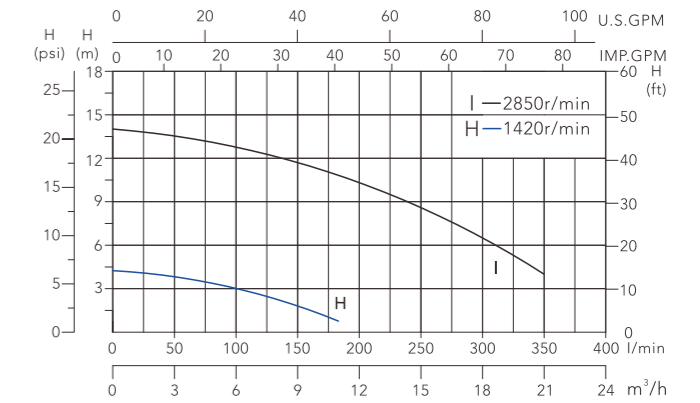
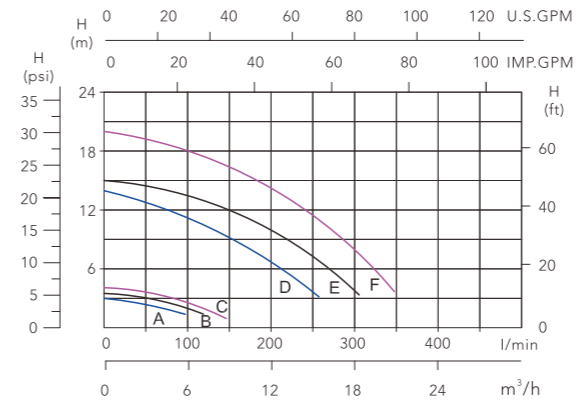
It is designed for today' s increasing energy saving requirements. Tests prove that running in low speed can save pool owners up to 75% on energy costs compared to ordinary single speed pump. Dual-speed pump can match pump flow to a pool's needs, versus running at full power 100% of the time. Integrated controller is programmable with a self-contained 24-hour clock to manage flow throughout the day.

Order Guide

Product	Motor Model	Voltage	Hertz	Full Load Amps	Flowrate Gpm(M3/hr)	Output Power HP	Port Size Inch.	Net Wt. Lbs.(Kgs)	Curve Key
ENERGY EFFICIENT TWIN SPEED FULL RATED-ETL									
72749C	6579	115	60	10/3.2	73	3/4	1 1/2	22.3	D/A
72750C	6580	115	60	12/3.6	79	1	1 1/2	24.1	E/B
72751C	6582	230	60	7.5/2.1	88	1 1/2	1 1/2	28.8	F/C
ENERGY EFFICIENT TWIN SPEED FULL RATED-CE									
72534C	6417	220-240	50	5.4/2	(22)	1 1/2	1 1/2	(13.4)	I/H
OPTIONAL ACCESSORIES									
91382	1 1/2" Union connection Kit-curved(48mm) 2pcs								
OR 91384	1 1/2" Union connection Kit-curved(50mm) 2pcs								

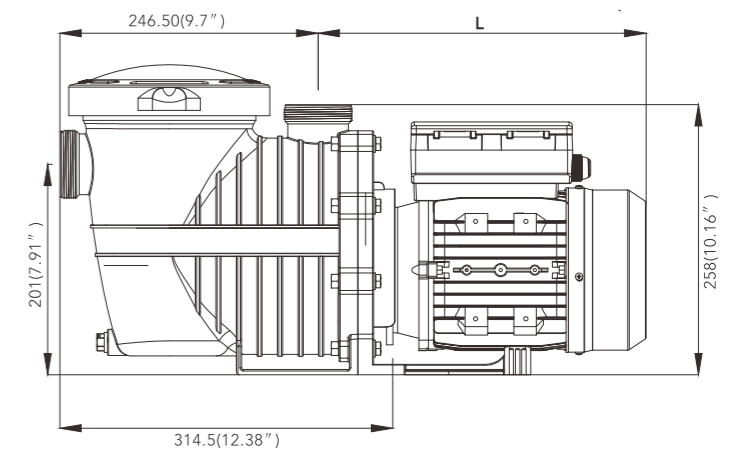
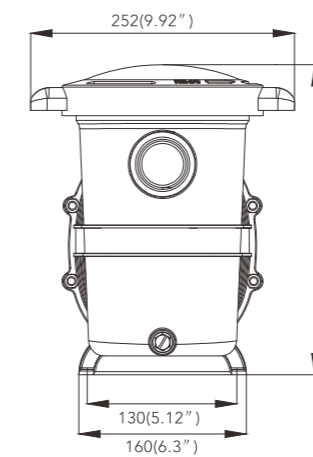
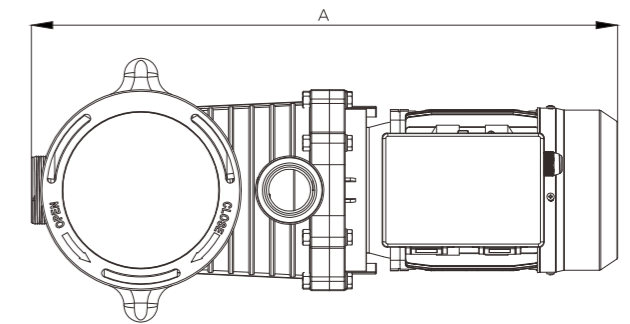
TWIN SPEED POOL PUMP

Dimensions And Performance



Pump Performance Curve

MODEL	RPM	CURVE
72749C	3450r/min	D
	1720r/min	A
72750C	3450r/min	E
	1720r/min	B
72751C	3450r/min	F
	1720r/min	C
72534C	2850r/min	I
	1420r/min	H



MODEL	L	A
72749C	304.5(11.98")	551(21.69")
72750C	310.5(12.22")	557(21.92")
72751C	354(13.93")	600.7(23.65")
72534C	336(12.44")	562.5(22.14")

TWIN SPEED POOL PUMP

CIPU



Features and Benefits

- 2850RPM for high speed and 1420RPM for low speed(CE) or 3450RPM for high speed and 1720RPM for low speed(ETL) , use intelligent controller to program the filtration.
- Use the most cost saving pump to achieve energy consumption reducing
- Quiet by design.
- Fully programmable, self-contained 24-hour time clock with high speed running time and low speed running time.
- No additional controller or time clock needed.
- Extra leaf-holding capacity basket extends time between cleanings
- Includes digital control.
- fully factory test.

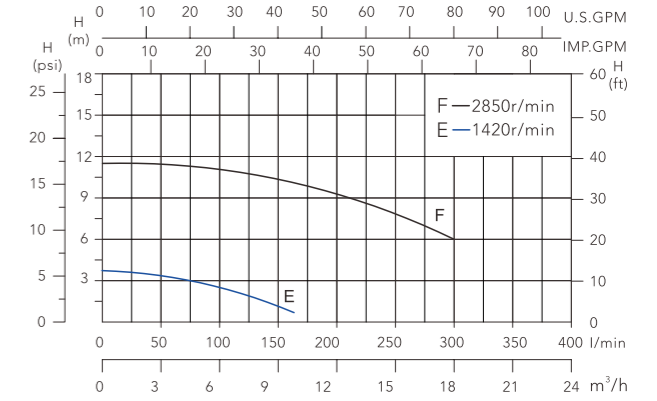
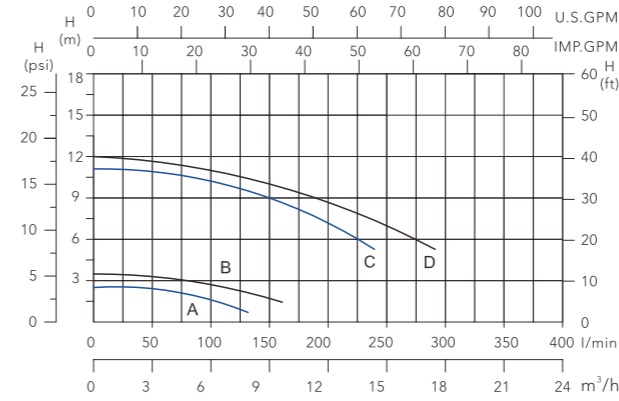
It is designed for today' s increasing energy saving requirements. Tests prove that running in low speed can save pool owners up to 75% on energy costs compared to ordinary single speed pump. Dual-speed pump can match pump flow to a pool's needs, versus running at full power 100% of the time. Integrated controller is programmable with a self-contained 24-hour clock to manage flow throughout the day.

Order Guide

Product	Motor Model	Voltage	Hertz	Full Load Amps	Flowrate Gpm(M3/hr)	Output Power HP	Port Size Inch.	Net Wt. Lbs.(Kgs)	Curve Key
ENERGY EFFICIENT TWIN SPEED FULL RATED-ETL									
72726C	6577	115	60	10/3.2	75	3/4	1 1/2	21.8	C/A
72727C	6578	115	60	12/3.6	83	1	1 1/2	23.9	D/B
ENERGY EFFICIENT TWIN SPEED FULL RATED-CE									
72532C	6417	220-240	50	4.7/1.9	(17.7)	1 1/2	1 1/2	(13.1)	F/E
OPTIONAL ACCESSORIES									
91382	1 1/2" union connection kit-curved(48mm) 2pcs								
OR 91384	1 1/2" union connection kit-curved(50mm) 2pcs								

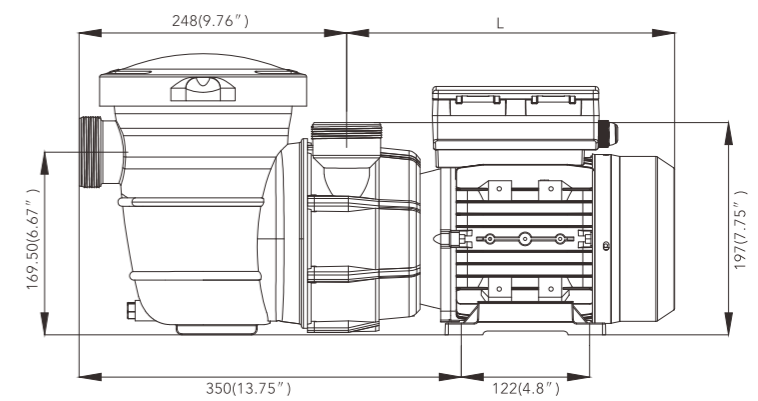
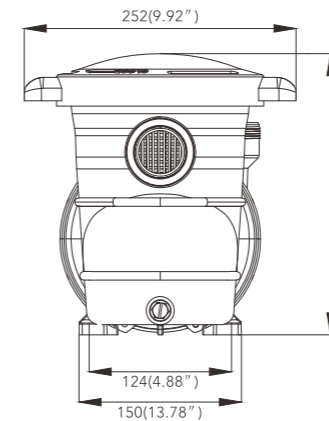
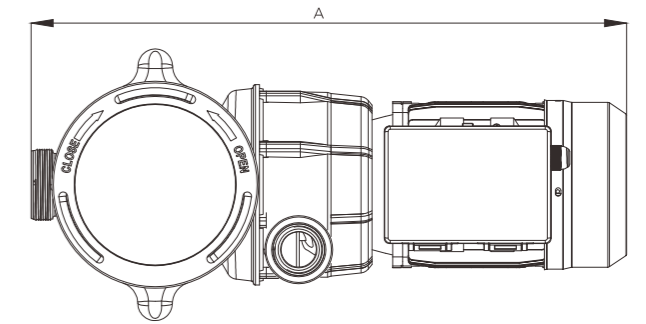
TWIN SPEED POOL PUMP

Dimensions And Performance



Pump Performance Curve

MODEL	RPM	CURVE
72726C	3450r/min	C
	1720r/min	A
72727C	3450r/min	D
	1720r/min	B
72532C	2850r/min	F
	1420r/min	E



MODEL	L	A
72726C	305(12")	553(21.77")
72727C	311(12.24")	559(22")
72532C	307(12.08")	555(21.85")

SILENT POOL PUMP

CIPU



Features and Benefits

- See-through strainer cover lets you see when the basket needs to be cleaned and eliminated guesswork; special self-adjusting seal ensures dependable sealing
- Service-ease design gives simple access to all internal parts
- Self-priming (suction lift up to 8-feet above water level)
- Heat-resistant, industrial-size ceramic seal is long-wearing and drip proof
- Mounting base provides stable, stress-free support, plus versatility for any installation requirement; adapts 48- and 56-frame motors
- Perfect replacement for well-known brand, such as the Hayward "Super pump™"/Pentair "SuperFlo™"/ Star-Rite "Super Max™" pump, same installation dimensions.

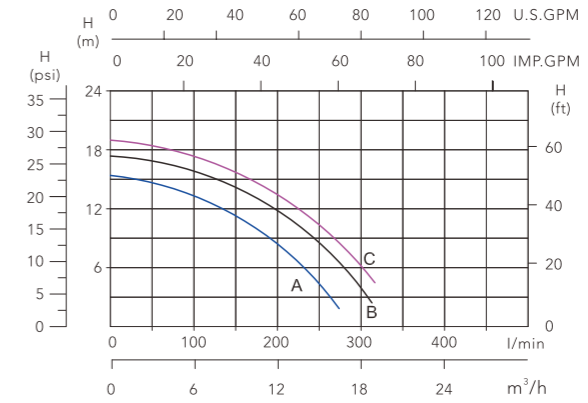
The CIPU Super Pump is large-capacity, technologically advanced pump blends cost-efficient design with durable construction, setting the standard for excellence and value. Designed for in ground pools and spas of all types and sizes, the Super Pump features a totally balanced, efficient impeller through simulation design to produce higher flow rates at less horsepower than other pumps, meanwhile, this super pump is outstandingly quiet.

Order Guide

Product	Motor Model	Voltage	Hertz	Full Load Amps	Flowrate Gpm(M3/hr)	Output Power HP	Port Size Inch.	Net Wt. Lbs.(Kgs)	Curve Key
ENERGY EFFICIENT SINGLE SPEED FULL RATED-ETL									
72765	6590	115/230	60	12/5.9	74	3/4	1 1/2	25.4	A
72766	6591	115/230	60	15/7.5	81.5	1	1 1/2	28.6	B
72767	6518	115/230	60	17/8.5	86	1 1/2	1 1/2	30.2	C
OPTIONAL ACCESSORIES									
91385	1 1/2" male threaded (NPT)X 1 1/2" slip(48mm) 2pcs								

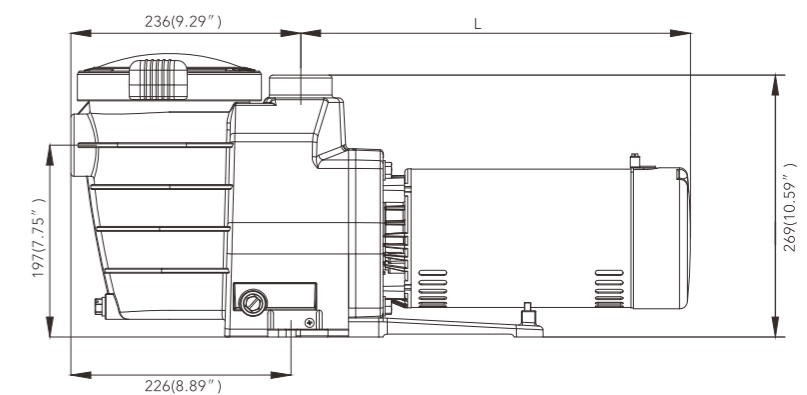
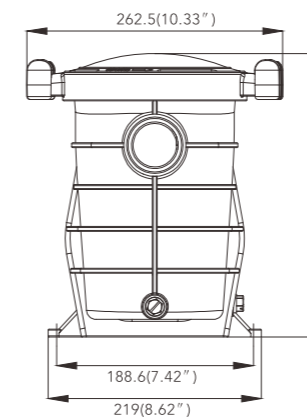
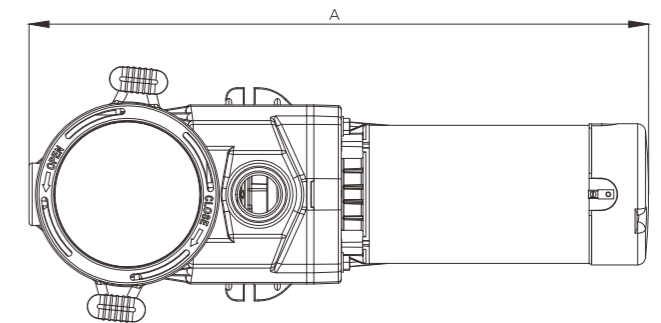
SILENT POOL PUMP

Dimensions And Performance



Pump Performance Curve

MODEL	CURVE
72765	A
72766	B
72767	C



MODEL	L	A
72765	360(14.17")	596(23.46")
72766	372(14.64")	608(23.93")
72767	400(15.74")	636(25.03")

PREMIER IG PUMP

CIPU



Features and Benefits

- Innovative diffuser and high-efficiency impeller maximize water flow and energy efficiency while minimizing noise and operating costs
- All components molded of corrosion-proof reinforced thermoplastic for extra durability and long life
- Heavy-duty, high performance motor for quieter, cooler operation
- See-through lid makes inspection fast and easy-engineered polymer remains clear and strong. Besides lid is easy to remove and quickly locks in place with a quarter-turn
- Massive strainer basket for ease of maintenance
- American design mechanical seal using carbon to ceramic sealing surfaces
- Self-priming 8 feet
- Fully factory tested



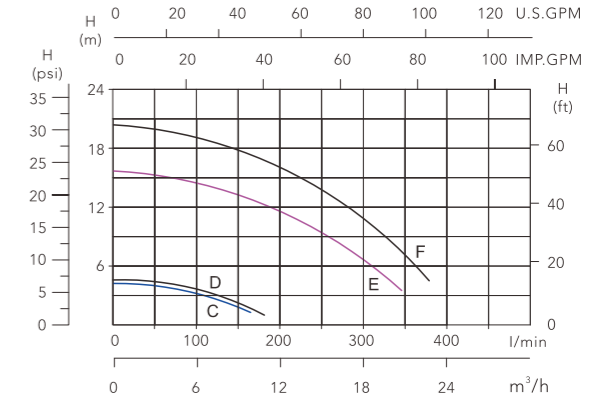
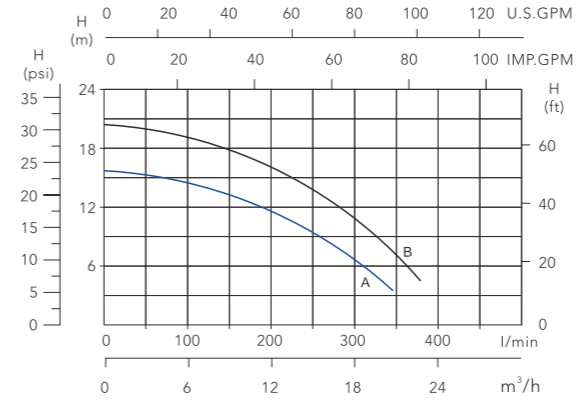
Efficient, Dependable. This full-flow hydraulics design moves water more efficiently and more quietly than competitive pump. Under typical operating conditions, it offers the highest water flow of any high performance pump, yet with the lowest operating costs. The pumps are easy to maintain and due to its integrated big strainer basket, the cleaning intervals become longer. Fields of application include any size pool or pool and spa combination.

Order Guide

Product	Motor Model	Voltage	Hertz	Full Load Amps	Flowrate Gpm(M3/hr)	Output Power HP	Port Size Inch.	Net Wt. Lbs.(Kgs)	Curve Key
ENERGY EFFICIENT SINGLE SPEED FULL RATED-ETL									
72747	6551	115/230	60	11.5/5.7	83	1	2	27.4	A
72748	6553	115/230	60	14.2/7.1	97	1 1/2	2	31.7	B
ENERGY EFFICIENT TWIN SPEED FULL RATED-ETL									
72754	6522/6566	115	60	12/3.6	83	1	2	28	E/C
72755	6559	230	60	7.5/2.1	97	1 1/2	2	33	F/D
ENERGY EFFICIENT SINGLE SPEED FULL RATED-CE									
72547	6407	220-240	50	4.5	(18.8)	1	2	(13.5)	G
72548	6408	220-240	50	6.5	(22.8)	1 1/2	2	(15.1)	H
OPTIONAL ACCESSORIES									
OPTION 1									
91301	unit fitting 2in.slip(60mm)		2pcs						
OR	91303	unit fitting 1 1/2 in. slip(48mm)		2pcs					
OPTION 2									
91302	unit fitting 2in.slip(63mm)		2pcs						
OR	91304	unit fitting 1 1/2 in. slip(50mm)		2pcs					

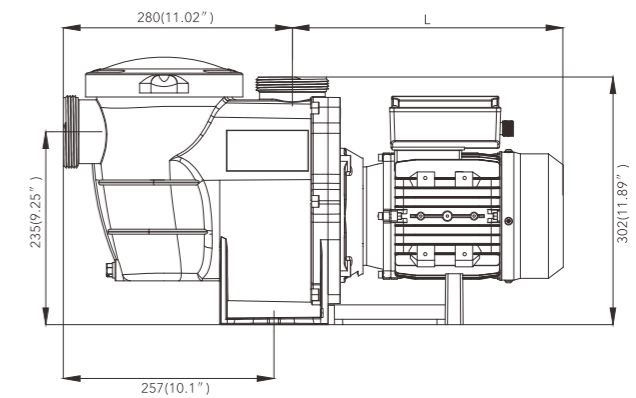
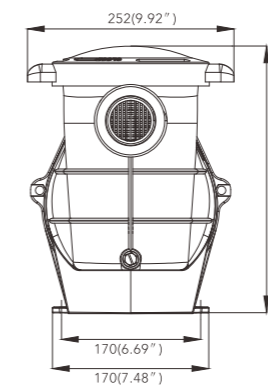
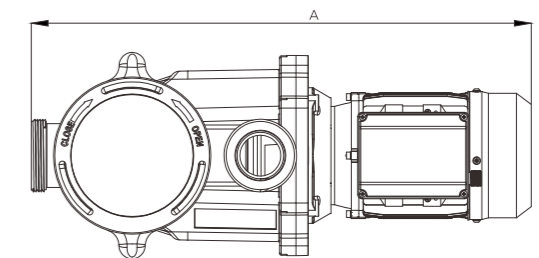
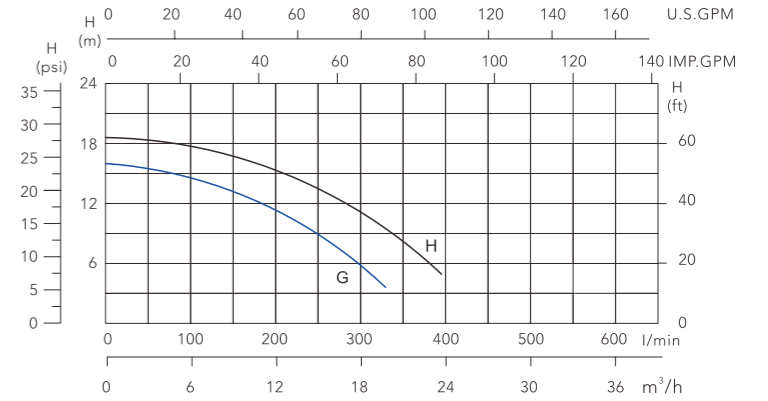
PREMIER IG PUMP

Dimensions And Performance



Pump Performance Curve

MODEL	CURVE
72747	A
72748	B
72754	E
	C
72755	F
	D
72547	G
72548	H



MODEL	L	A	MODEL	L	A	MODEL	L	A
72747	351(13.83")	630(24.81")	72754	402(15.82")	681(26.81")	72547	331(13.03")	611(24.05")
72748	395(15.55")	674(26.53")	72755	358(14.09")	637(25.07")	72548	331(13.03")	611(24.05")

CLASSIC IG PUMP



Features and Benefits

- Rugged, one-piece strainer housing molded of corrosion-proof reinforced thermoplastic for extra durability and long life
- Exclusive, high-performance motor design for quieter, cooler and more energy efficient operation
- Specially constructed clear lid with locking ring design is easy to open. Large strainer basket is always locked in place
- American design mechanical seal using carbon to ceramic sealing surfaces
- Self-priming 8 feet
- Fully factory tested



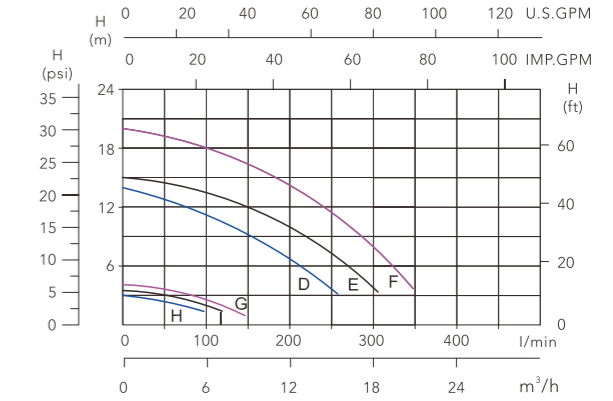
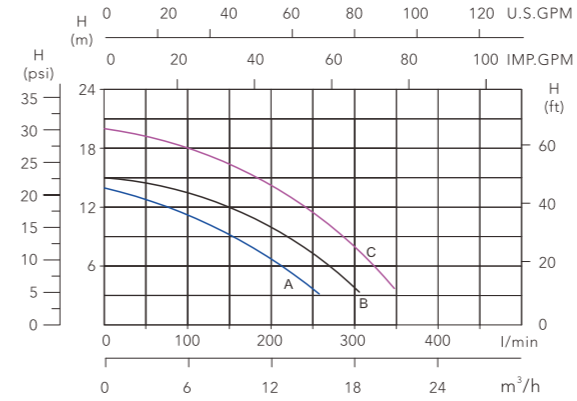
Designed for today's most demanding installations. The medium head pump has been engineered for durability and quiet performance with economy in mind. This all-around, self-priming pump with large pump basket is ideally suited for all above-ground, on-ground and small in-ground pools. Exclusive features such as high efficiency motor, 100% recyclable "environment friendly" plastics, and carbon to ceramic sealing surfaces design will make medium head pump the leading pump choice of all pool professionals.

Order Guide

Product	Motor Model	Voltage	Hertz	Full Load Amps	Flowrate Gpm(M3/hr)	Output Power HP	Port Size Inch.	Net Wt. Lbs.(Kgs)	Curve Key
ENERGY EFFICIENT SINGLE SPEED FULL RATED-ETL									
72742	6544	115	60	9.2	73	3/4	1 1/2	21.4	A
72743	6550	115/230	60	11.5/5.7	79	1	1 1/2	22.6	B
72744	6552	115/230	60	14/7	83	1 1/2	1 1/2	27.4	C
72749	6556	115	60	10/3.2	73	3/4	1 1/2	(10.1)	D/H
ENERGY EFFICIENT TWIN SPEED FULL RATED-ETL									
72750	6557	115	60	12/3.6	79	1	1 1/2	(11)	E/I
72751	6558	230	60	7.5/2.1	83	1 1/2	1 1/2	(13.1)	F/G
ENERGY EFFICIENT SINGLE SPEED FULL RATED-CE									
72542	6404	220-240	50	3.5	(15)	3/4	1 1/2	(9.8)	J
72543	6405	220-240	50	4.5	(18)	1	1 1/2	(11.8)	K
72544	6406	220-240	50	6.4	(21.6)	1 1/2	1 1/2	(13.4)	L
OPTIONAL ACCESSORIES									
91382	1 1/2" union connection kit-curved(48mm) 2pcs								
91384	1 1/2" union connection kit-curved(50mm) 2pcs								

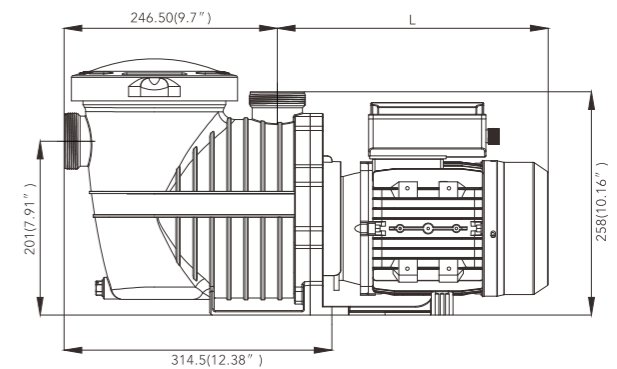
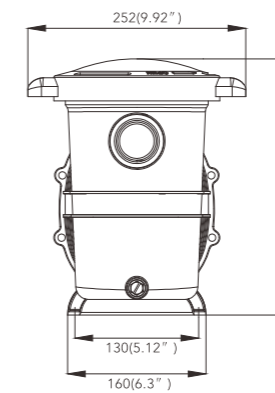
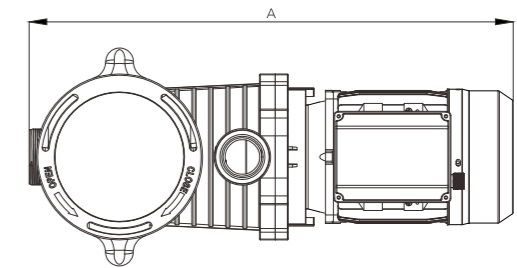
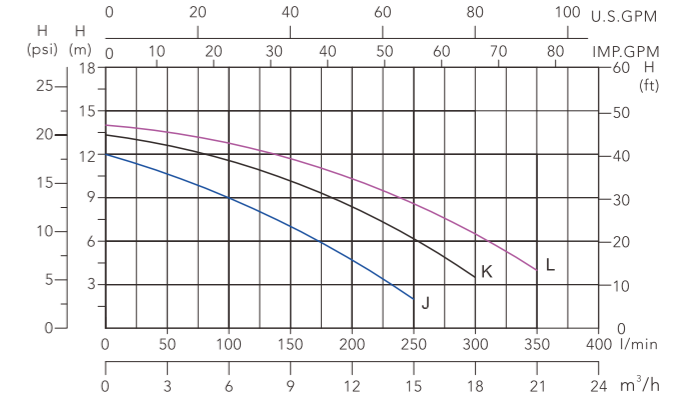
CLASSIC IG PUMP

Dimensions And Performance



Pump Performance Curve

MODEL	CURVE
72742	A
72743	B
72744	C
72749	D
	H
72750	E
	I
72751	F
	G
72542	J
72543	K
72544	L



MODEL	L	A	MODEL	L	A	MODEL	L	A
72742	304.5(11.98")	551(21.69")	72749	314.5(12.38")	561(22.08")	72542	281(11.06")	527.5(20.76")
72743	310.5(12.22")	557(21.92")	72750	320(12.61")	567(22.32")	72543	316(12.44")	562.5(22.14")
72744	354(13.93")	600.7(23.65")	72751	364(14.33")	610.7(24.04")	72544	316(12.44")	562.5(22.14")

BOOSTER PUMP



Features and Benefits

- Advanced impeller design cuts electricity use by up to 25%
- Takes up less space on the equipment pad
- Suitable for all pressure cleaners requiring a booster pump
- Stainless steel shaft with ceramic seals built to last
- Dual voltage 115/230 switchable
- Inlet and outlet 1 inch
- Ideal replacement for all pressure-side Booster pumps
- Takes up less space on the equipment pad



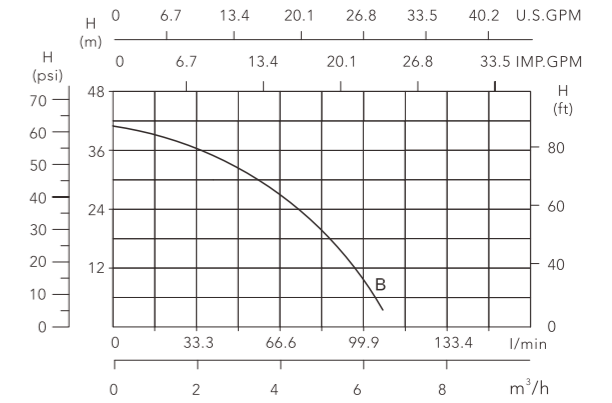
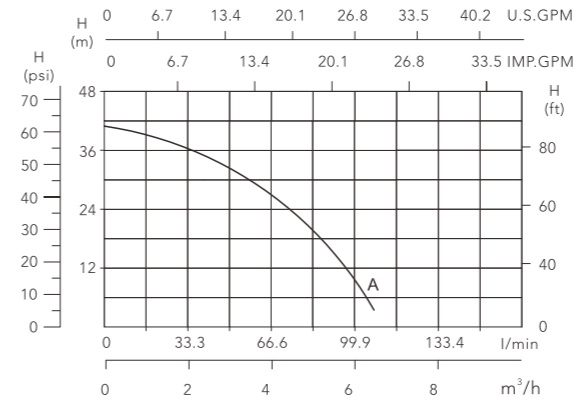
Boost the efficiency of your pressure cleaner with the efficacy of CIPU new booster pump. The pump greatly increases a cleaning systems ability to propel and circulate water, providing the power needed to thoroughly clean your pool. The CIPU booster pump uses up to 25% less electricity than other booster pumps and is remarkably quiet. Suitable for any pressure cleaner .

Order Guide

Product	Motor Model	Voltage	Hertz	Full Load Amps	Flowrate Gpm(M3/hr)	Output Power HP	Port Size Inch.	Net Wt. Lbs.(Kgs)	Curve Key
ENERGY EFFICIENT SINGLE SPEED FULL RATED-ETL									
72760	6571	115/230	60	12/3.6	28	1	1G	22	A
ENERGY EFFICIENT SINGLE SPEED FULL RATED-CE									
72552	6415	220-240	50	4	(6.4)	1	1G	(10.9)	B
OPTIONAL ACCESSORIES									
47255211080	1" G Union connection (32mm)			2pcs					

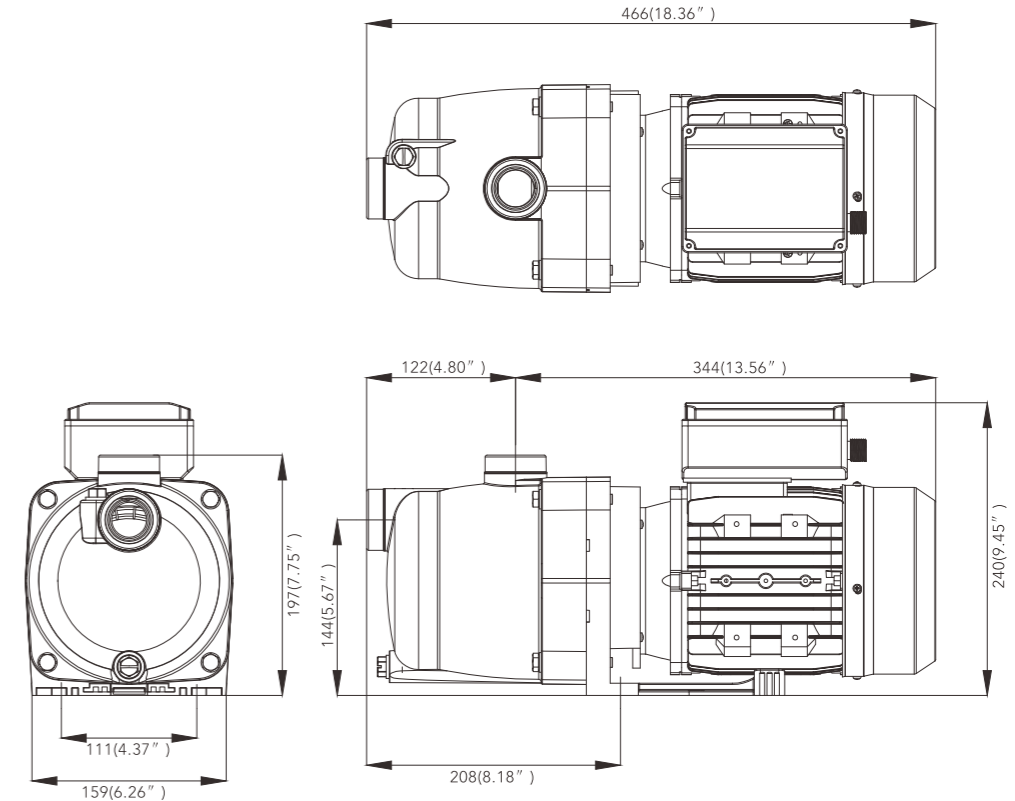
BOOSTER PUMP

Dimensions And Performance



Pump Performance Curve

MODEL	CURVE
72760	A
72552	B





CIPU

FILTERS

PRO SERIES PLUS TOP-MOUNT SAND FILTERS

CIPU



Features Highlights

- Top diffuser ensures even distribution of water over the top of the sand media bed
- All internal piping is 2-Inch to give smooth, free-flowing performance
- Manual air relief purges any trapped air during operation of the filter system
- Unitized, corrosion-proof, spherical filter tank molded of rugged, colorfast reinforced thermoplastic for maximum strength and longer life
- Precision-engineered self-cleaning laterals for balanced flow and backwashing, plus easy serviceability

The CIPU Pro Series Plus satisfies the requirements of the most demanding installations, including pools installed with in-floor cleaning systems, spas, fountains or solar heating systems. Its spherical tank design evenly distributes the high pressure and stress associated with these applications, resulting in greater strength and longer life.

Top-Mount Sand Filter Order Guide

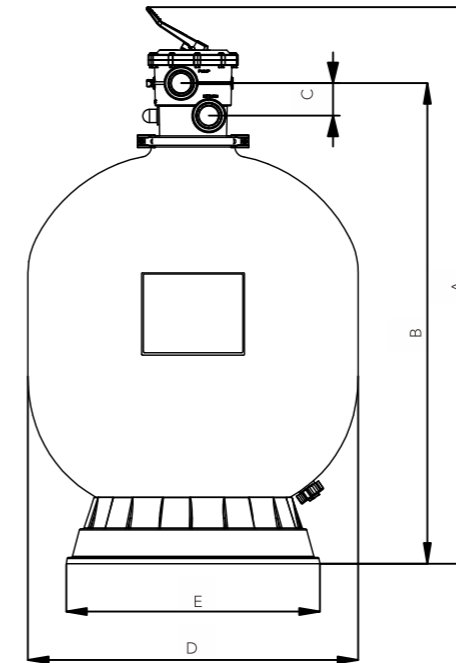
Model Number	Filter Φ	Designed Flow Rate gpm (m ³ /h)	Filter Area ft ² (m ²)	Sand Required lb. (kg)	Max. Working Pressure psi (bar)	Valve
73080	31"	98 (22.3)	4.90(0.46)	500 (227)	50 (3.5)	6-way 2"
73090	36"	130 (29.5)	6.50 (0.60)	700(318)	50 (3.5)	6-way 2"

OPTIONAL ACCESSORIES

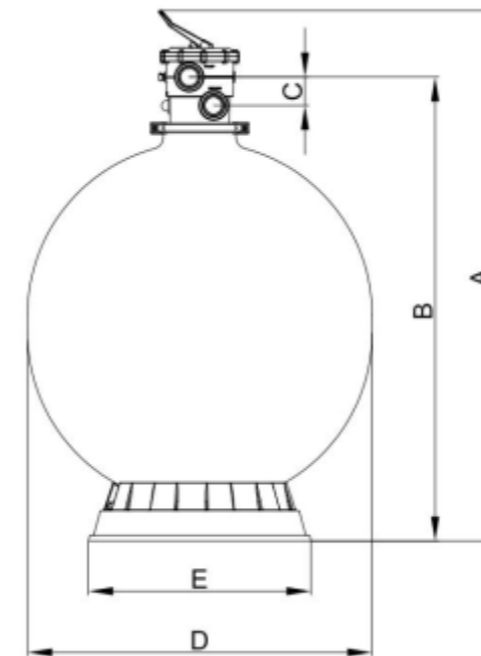
Model Number	Description	QTY Required
91302	Unit fitting 2" slip (63mm)	3pcs
91304	Unit fitting 1 1/2" slip (50mm)	3pcs
647310305080	2" NPT	2pcs
647310306080	2" NPT	1pc
OR 91301	Unit fitting 2" slip (60mm)	3pcs
91303	Unit fitting 1 1/2" slip (48mm)	3pcs
647310305080	2" NPT	2pcs
647310306080	2" NPT	1pc

PRO SERIES PLUS TOP-MOUNT SAND FILTERS

Dimensions And Performance



Model Number	A mm(in)	B mm(in)	C mm(in)	D mm(in)	E mm(in)
73080	1258(49.5")	1093(43")	76(3")	790(31")	590(31.9")



Model Number	A mm(in)	B mm(in)	C mm(in)	D mm(in)	E mm(in)
73090	1385(54.5")	1220(48")	76(3")	915(36")	590(36.6")

PRO SERIES TOP-MOUNT SAND FILTERS

CIPU



Features Highlights

- Durable, corrosion-proof filter tank, all weather proof
- 7-position top valve provides maximum flow at lower pressure
- combined water and sand drain makes servicing and winterizing fast and easy
- Top diffuser ensures even distribution of water over the top of the sand media bed; which provides smooth, free-flowing performance
- Precision-engineered self-cleaning laterals for balanced flow and back washing, plus easy serviceability

CIPU Pro Series high-rate sand filters are the very latest in pool filter technology. Molded of durable, corrosion-proof polymeric material, they feature attractive, unitized tank construction for years of trouble-free operation with only minimal care.

Top-Mount Sand Filter Order Guide

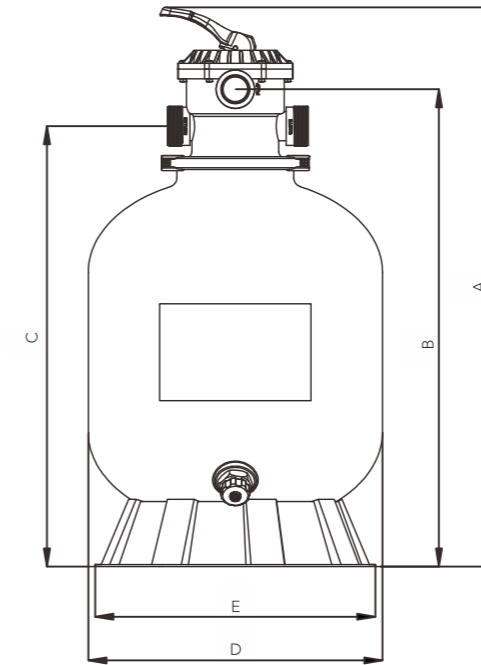
Model Number	Filter Φ	Designed Flow Rate	Filter Area	Sand Required	Max. Working Pressure	Valve
		gpm (m ³ /h)	ft ² (m ²)	lb. (kg)	psi (bar)	
73040	16"	35 (7.9)	1.4 (0.12)	100 (45)	50 (3.5)	6-way 1 1/2"
73050	19"	42 (9.5)	2.1 (0.20)	175 (80)	50 (3.5)	6-way 1 1/2"
73060	24"	62 (14.1)	3.1 (0.29)	300 (136)	50 (3.5)	6-way 1 1/2"
73054	22"	52 (11.8)	2.6 (0.25)	250 (114)	50 (3.5)	6-way 1 1/2"
73057	22.5"	54 (12.3)	2.7 (0.26)	280 (127)	50 (3.5)	6-way 1 1/2"

OPTIONAL ACCESSORIES

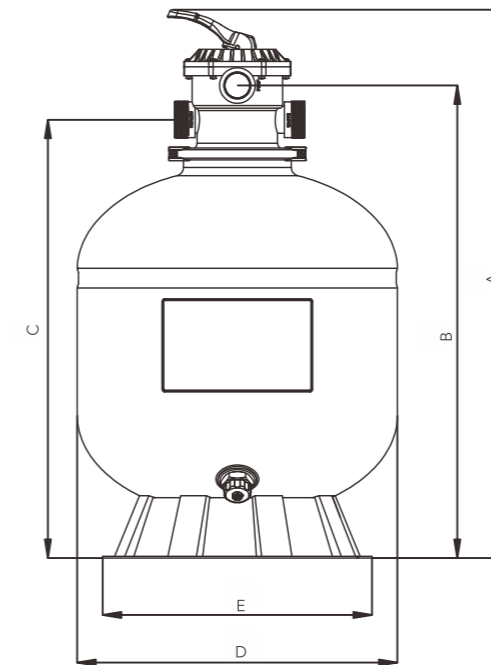
Item no.	Description	Pieces in require
91382	Unit fitting 1 1/2" slip (48mm)	2pcs
91385	1 1/2" male threaded (NPT) x1 1/2" slip (48mm)	1pc
OR 91384	Unit fitting 1 1/2" slip (50mm)	2pcs
91386	1 1/2" male threaded (NPT) x1 1/2" slip (50mm)	1pc

PRO SERIES TOP-MOUNT SAND FILTERS

Dimensions And Performance



Model Number	A mm(in)	B mm(in)	C mm(in)	D mm(in)	E mm(in)
73040	810(31.9")	685(27.0")	625(24.6")	406(16.0")	400(15.8")
73050	930(36.6")	805(31.7")	745(29.3")	485(19.0")	480(18.9")
73054	980(38.6")	844(33.2")	783(30.8")	558(22.0")	480(18.9")
73060	1110(43.7")	985(38.8")	925(36.4")	610(24.0")	480(18.9")



Model Number	A mm(in)	B mm(in)	C mm(in)	D mm(in)	E mm(in)
73057	978(38.5")	843(33.2")	782(30.8")	571(22.5")	480(18.9")

PRO SERIES TOP-MOUNT SAND FILTERS

CIPU



Features Highlights

- Durable, corrosion-proof filter tank, all weather performance
- 7-position control valve makes changing filter quick and easy
- Large pressure sand/water drain for rapid winterizing or servicing
- Top diffuser ensures even distribution of water over the top of the sand media bed; which provides smooth, free-flowing performance
- Precision-engineered self-cleaning laterals for balanced flow and backwashing, plus easy serviceability

This CIPU top-mount sand filter for in-ground swimming pools will provide you with hassle-free, effective filtration. The weather-proof tank is constructed of a tough, color-fast polymeric material and topped with a patented 7-position multi-port valve that features easy-to-use lever action.

Top-Mount Sand Filter Order Guide

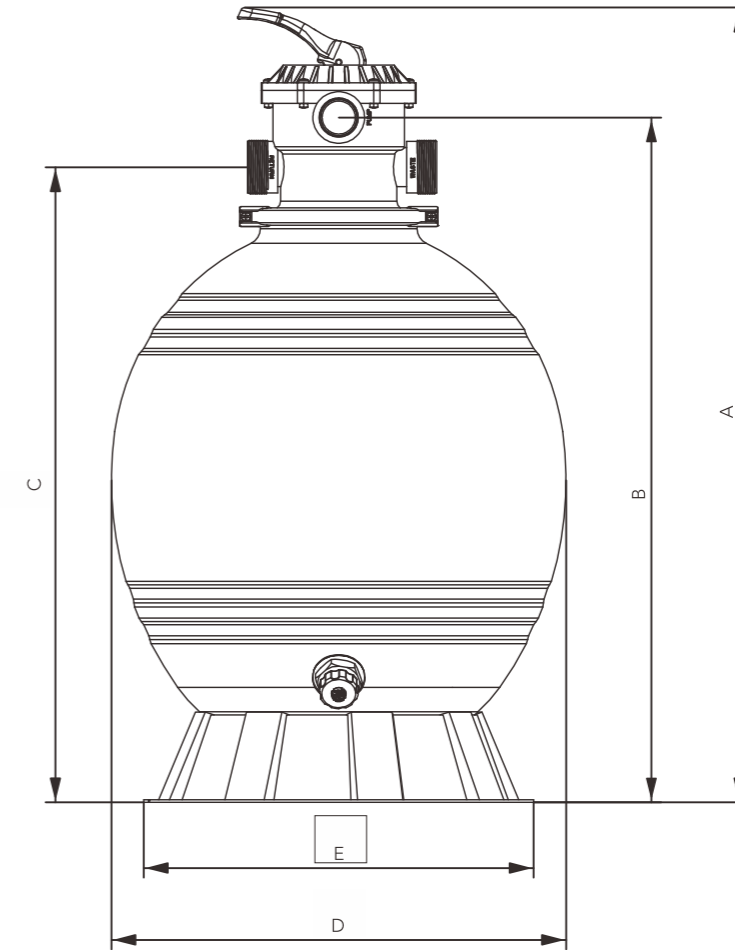
Model Number	Filter Φ	Designed Flow Rate gpm (m ³ /h)	Filter Area ft ² (m ²)	Sand Required lb. (kg)	Max. Working Pressure psi (bar)	Valve
73045	18"	35 (7.9)	1.80(0.17)	110 (50)	50 (3.5)	6-way 1 1/2"
73055	22"	52 (11.8)	2.64 (0.25)	220 (100)	50 (3.5)	6-way 1 1/2"
73065	26"	72 (16.4)	3.68(0.34)	300 (136)	50 (3.5)	6-way 1 1/2"

OPTIONAL ACCESSORIES

Model Number	Description	QTY Required
91382	Unit fitting 1 1/2" slip (48mm)	2pcs
91385	1 1/2" male threaded (NPT) x1 1/2" slip (48mm)	1pc
OR 91384	Unit fitting 1 1/2" slip (50mm)	2pcs
91386	1 1/2" male threaded (NPT) x1 1/2" slip (50mm)	1pc

PRO SERIES TOP-MOUNT SAND FILTERS

Dimensions And Performance



Model Number	A mm(in)	B mm(in)	C mm(in)	D mm(in)	E mm(in)
73045	835(33.0")	710(28.0")	650(25.6")	450(18.0")	400(15.8")
73055	968(38.0")	843(33.0")	783(31.0")	560(22.0")	480(18.9")
73065	1120(44.0")	990(39.0")	920(36.0")	660(26.0")	480(18.9")

PRO SERIES SIDE-MOUNT SAND FILTERS

CIPU



Features Highlights

- Durable, corrosion-proof filter tank, all weather performance
- 7-position control valve makes changing filter quick and easy
- Large pressure sand/water drain for rapid winterizing or servicing
- Top diffuser ensures even distribution of water over the top of the sand media bed; which provides smooth, free-flowing performance
- Precision-engineered self-cleaning laterals for balanced flow and back washing, plus easy serviceability

CIPU Pro Series high-rate sand filter are the latest in pool filter technology. Molded of durable, corrosion-proof polymeric material, Pro Series filters feature an advanced, self-cleaning lateral under drain system for smooth, efficient flow and totally balanced backwashing.

Side-Mount Sand Filter Order Guide

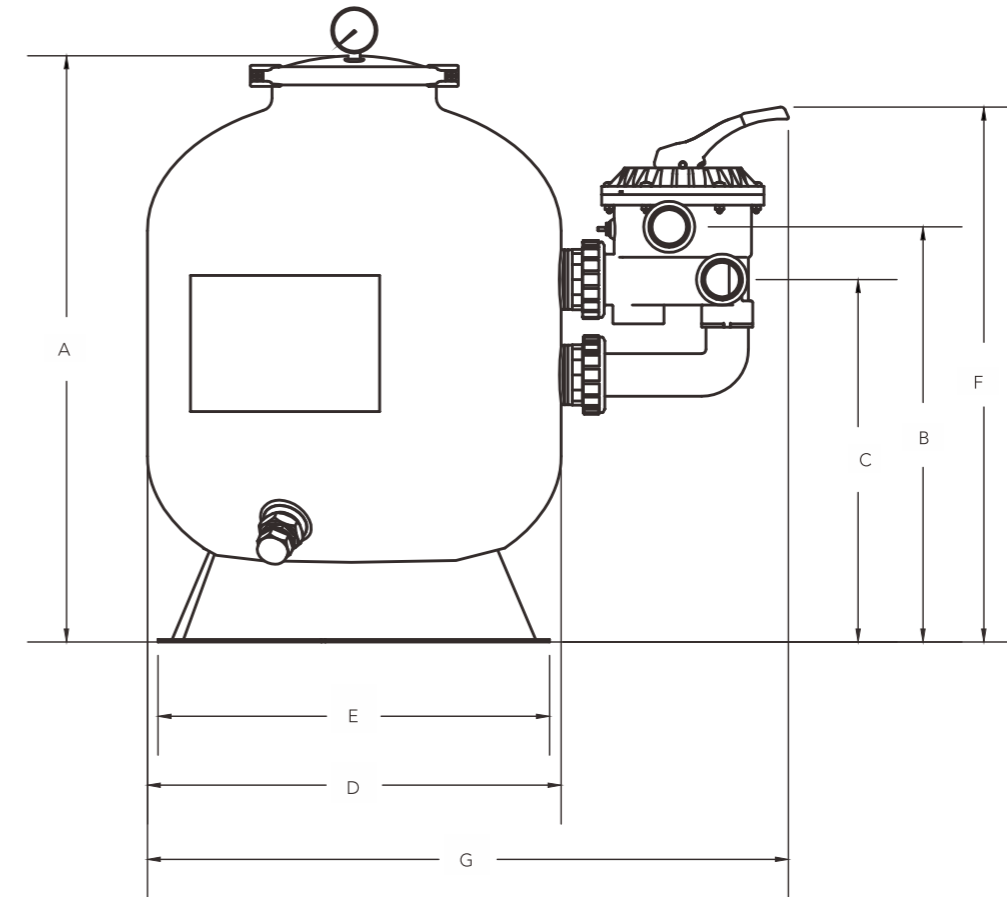
Model Number	Filter Φ	Designed Flow Rate	Filter Area	Sand Required	Max. Working Pressure	Valve
		gpm (m ³ /h)	ft ² (m ²)	lb. (kg)	psi (bar)	
73041	16"	35 (7.9)	1.35(0.13)	100 (45)	50 (3.5)	6-way 1 1/2"
73051	19"	42 (9.5)	2.10 (0.20)	175 (79)	50 (3.5)	6-way 1 1/2"
73061	24"	62 (14)	3.14(0.29)	300 (136)	50 (3.5)	6-way 1 1/2"

OPTIONAL ACCESSORIES

Model Number	Description	QTY Required
91385	1 1/2" male threaded (NPT) x1 1/2" slip (48mm)	3pcs
OR 91386	1 1/2" male threaded (NPT) x1 1/2" slip (50mm)	3pcs

PRO SERIES SIDE-MOUNT SAND FILTERS

Dimensions And Performance



Model Number	A mm(in)	B mm(in)	C mm(in)	D mm(in)	E mm(in)	F mm(in)	G mm(in)
73041	590(23.2")	450(17.7")	390(15.3")	406(16")	400(15.8")	580(22.8")	676(26.6")
73051	700(27.5")	515(20.3")	455(18.0")	485(19")	480(18.9")	650(25.6")	755(29.7")
73061	890(35.0")	610(24.0")	550(21.6")	610(24")	480(18.9")	750(29.5")	880(34.6")

PRO SERIES SIDE-MOUNT SAND FILTERS

CIPU



Features Highlights

- Durable, corrosion-proof filter tank, all weather performance
- 7-position control valve makes changing filter quick and easy
- Large pressure sand/water drain for rapid winterizing or servicing
- Top diffuser ensures even distribution of water over the top of the sand media bed; which provides smooth, free-flowing performance
- Precision-engineered self-cleaning laterals for balanced flow and back washing, plus easy serviceability

CIPU Pro Series sand filter are for in-ground swimming pools will provide you with hassle-free, effective filtration. The weather-proof tank is constructed of a tough, color-fast polymeric material and topped with a patented 7-position multi-port valve that features easy-to-use lever action.

Side-Mount Sand Filter Order Guide

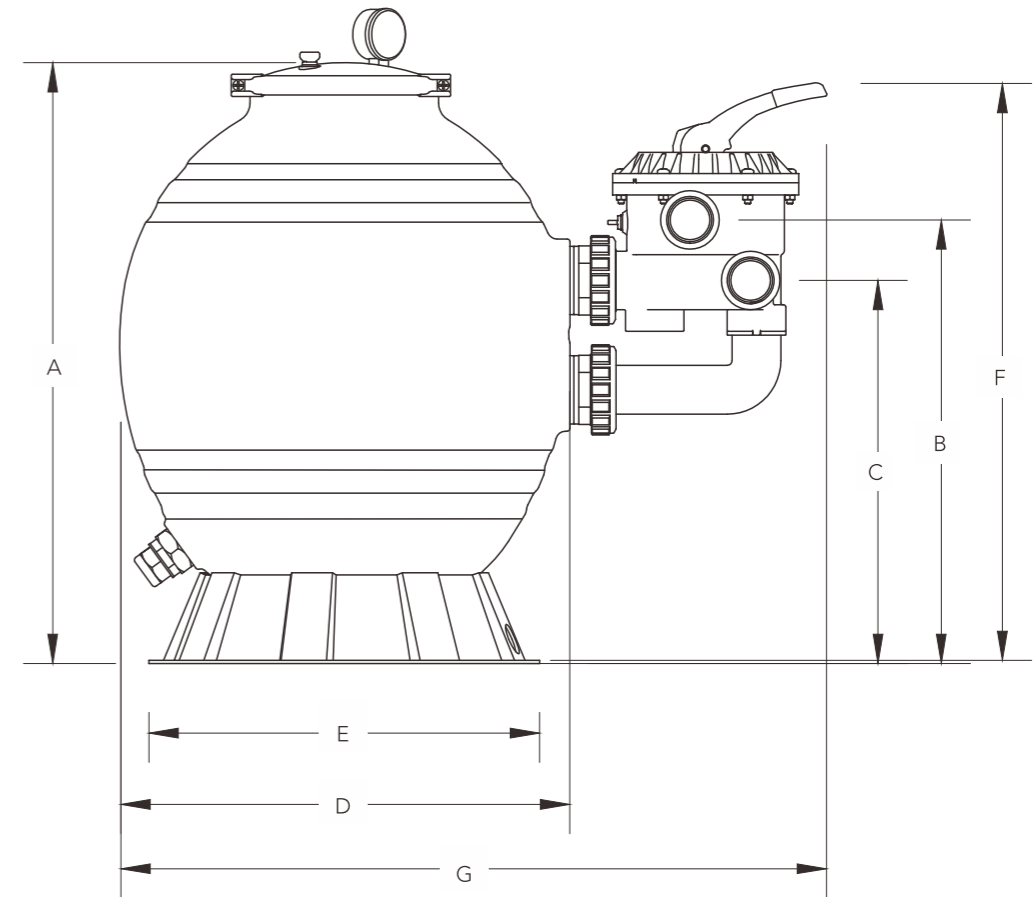
Model Number	Filter Φ	Designed Flow Rate gpm (m ³ /h)	Filter Area ft ² (m ²)	Sand Required lb. (kg)	Max. Working Pressure psi (bar)	Valve
73046	18"	35 (7.9)	1.80(0.17)	110 (50)	50 (3.5)	6-way 1 1/2"
73065	22"	52 (11.8)	2.64 (0.25)	220 (100)	50 (3.5)	6-way 1 1/2"
73066	26"	72 (16.4)	3.68(0.34)	300 (136)	50 (3.5)	6-way 1 1/2"

OPTIONAL ACCESSORIES

Model Number	Description	QTY Required
91385	1 1/2" male threaded (NPT) x1 1/2" slip (48mm)	3pcs
OR 91386	1 1/2" male threaded (NPT) x1 1/2" slip (50mm)	3pcs

PRO SERIES SIDE-MOUNT SAND FILTERS

Dimensions And Performance



Model Number	A mm(in)	B mm(in)	C mm(in)	D mm(in)	E mm(in)	F mm(in)	G mm(in)
73046	625(24.6")	450(17.7")	390(15.3")	460(18")	400(15.8")	580(22.8")	730(28.7")
73056	750(29.5")	520(20.5")	460(18.1")	560(22")	480(18.9")	650(25.6")	830(32.7")
73066	890(35")	610(24")	550(21.6")	660(26")	480(18.9")	750(29.5")	930(36.6")

CRYSTAL CLEAN PLUS CARTRIDGE FILTER



CRYSTAL CLEAN PLUS
CARTRIDGE FILTER



Featured Highlights

- Superior strength tank, made from extra durable glass reinforced co-polymer
- Four-cartridge design simplifies element removal and extends intervals between cleaning
- Single-piece base and body for strength, stability and years of dependable service
- Large drain for quick servicing
- Continuous internal air relief*
- 2" full-flow internal piping and plumbing for less resistance to flow and maximum performance.

Order Guide

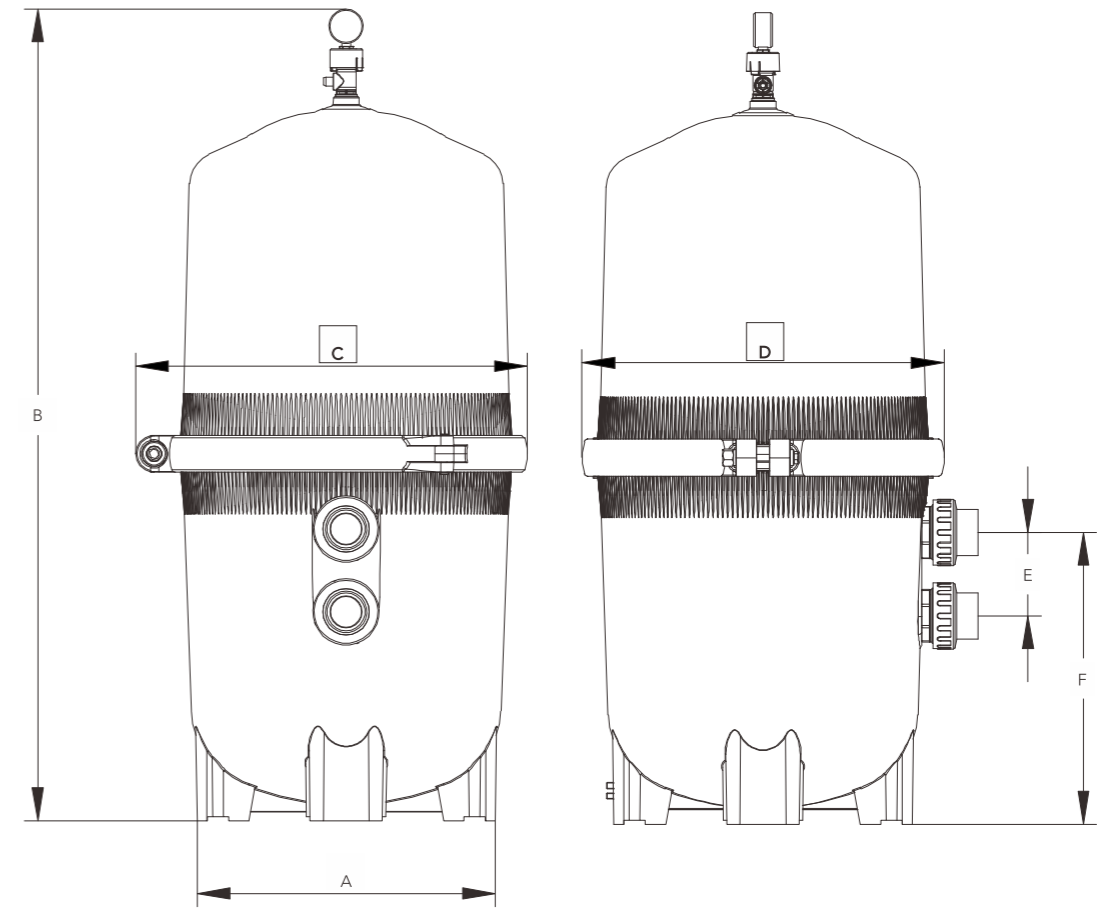
Model	Effective Filtration	Designed Flow Rate	Turnover Gallon(m ³)		Port Size inch.	Max. Working psi (bar)	Net Weight lbs.(kgs.)
	Area ft ² (m ²)	gpm (m ³ /h)	8hours	10hours			
73119000	525(48.77)	150(34.1)	204000(772.1)	255000(965.2)	2"	50 (3.5)	66(30.0)
73119100	425(39.48)	150(34.1)	252000(953.8)	315000(1305.8)	2"	50 (3.5)	75(34.1)

OPTIONAL ACCESSORIES

Item no.	Description	Pieces in require
91302	Unit fitting 2" slip (63mm)	2pcs
91304	Unit fitting 1 1/2" slip (50mm)	2pcs
OR 91301	Unit fitting 2" slip (60mm)	2pcs
91303	Unit fitting 1 1/2" slip (48mm)	2pcs

CRYSTAL CLEAN PLUS CARTRIDGE FILTER

Dimensions And Performance



Model Number	A mm(in)	B mm(in)	C mm(in)	D mm(in)	E mm(in)	F mm(in)
73119000	472(18.6")	1236(48.7")	597(23.5")	551(21.7")	127(5")	445(17.5")
73119100	472(18.6")	1052(41.4")	597(23.5")	551(21.7")	127(5")	445(17.5")

CRYSTAL CLEAN PLUS
CARTRIDGE FILTER

CIPU

FILTER SYSTEMS



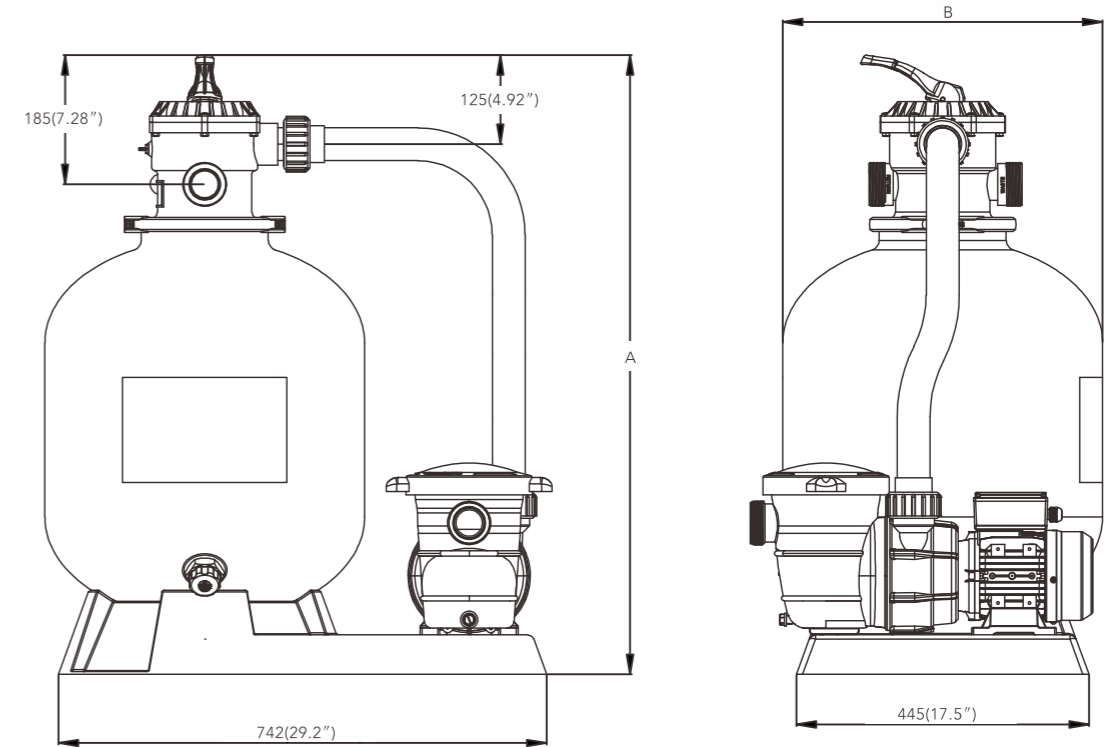
PRO SERIES TOP-MOUNT SAND FILTER SYSTEM



Featured Highlights

- Systems are designed for quick assembly and precise alignment of components
- Pumps and filters are performance-matched to provide maximum flow and energy efficiency
- Filter bases are molded of rugged plastic for long-lasting, all weather performance 7-position valve provides maximum flow at low pressure drop

PRO SERIES TOP-MOUNT SAND FILTER SYSTEM



PRO SERIES
TOP-MOUNT SAND FILTER SYSTEM

PRO SERIES
TOP-MOUNT SAND FILTER SYSTEM

Top-Mount Sand Filter Order Guide

Model Number	Filter φ	Designed Flow Rate gpm (m ³ /h)	Pump /hp	Voltage /hertz	Valve	Net Weight lbs. (Kgs)
72228	73040/16"	60(14)	72728/0.75hp	115/60	6-way	42
72229	73050/19"	70(16)	72729/1.0hp	115/60	6-way	50
72230	73060/24"	83(19)	72730/1.5hp	115/60	6-way	64
72241	73040/16"	30(9)	72715/0.35hp	115/60	6-way	34
72242	73050/19"	70(16)	72742/0.75hp	115/60	6-way	49
72243	73060/24"	79(18)	72743/1.0hp	115/230/60	6-way	63
72027	73040/16"	60(14)	72527/0.5hp	230/50	6-way	(18.5)
72028	73050/19"	66(15)	72528/0.75hp	230/50	6-way	(22.5)
72029	73060/24"	70(16)	72529/1.0hp	230/50	6-way	(27)
72041	73040/16"	40(9)	72515/0.35hp	230/50	6-way	(14.2)
72042	73050/19"	66(15)	72542/0.75hp	230/50	6-way	(22.5)
72043	73060/24"	79(18)	72543/1.0hp	230/50	6-way	(30)

Model Number	A mm(in)	B mm(in)
72027/72228/72041/72241	848(33.4")	400(16)
72028/72229/72042/72242	930(37.4")	500(19)
72029/72230/72043/72243	1130(45.5")	600(24)

PRO SERIES TOP-MOUNT SAND FILTER SYSTEM



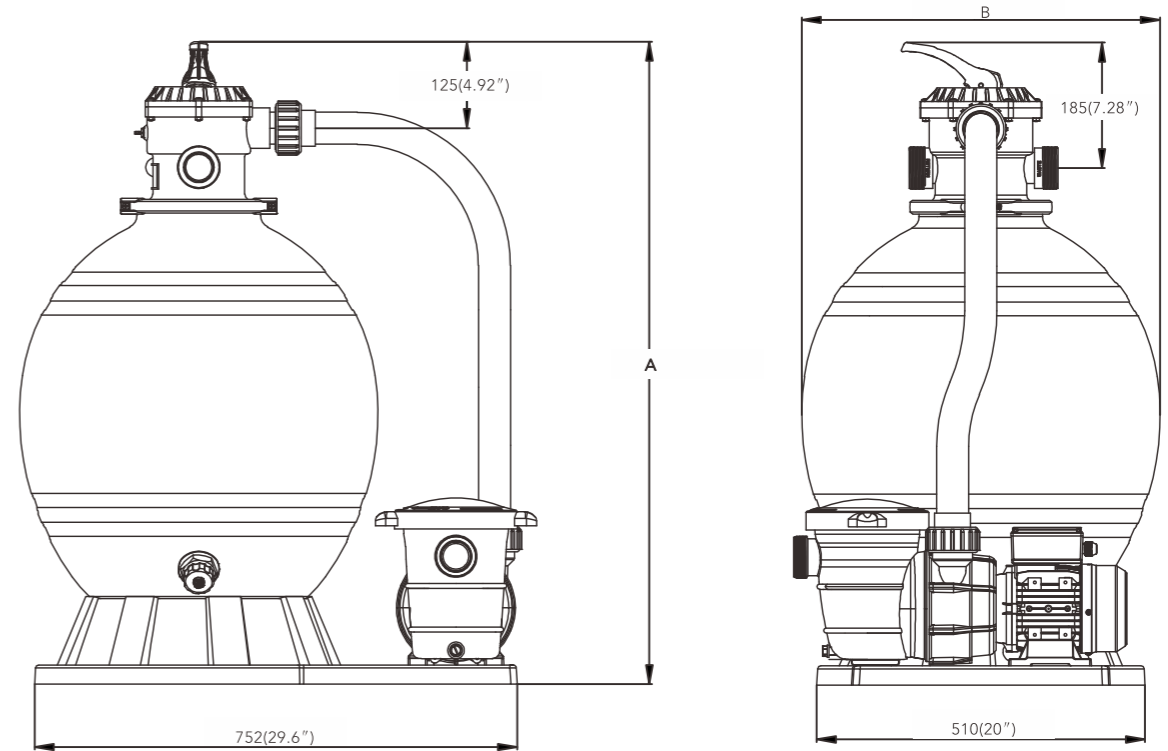
Featured Highlights

- Systems are designed for quick assembly and precise alignment of components
- Pumps and filters are performance-matched to provide maximum flow and energy efficiency
- Filter bases are molded of rugged plastic for long-lasting, all weather performance 7-position valve provides maximum flow at low pressure drop



PRO SERIES
TOP-MOUNT SAND FILTER SYSTEM

PRO SERIES TOP-MOUNT SAND FILTER SYSTEM



PRO SERIES
TOP-MOUNT SAND FILTER SYSTEM

Top-Mount Sand Filter Order Guide

Model Number	Filter φ	Designed Flow Rate gpm (m ³ /h)	Pump /hp	Voltage /hertz	Valve	Net Weight lbs. (Kgs)
72255	73045/18"	40(9)	72715/0.35hp	115/60	6-way	33
72258	73045/18"	60(14)	72728/0.75hp	115/60	6-way	41.5
72259	73055/22"	70(16)	72729/1.0hp	115/60	6-way	51.5
72260	73065/26"	83(19)	72730/1.5hp	115/60	6-way	62.8
72262	73045/18"	70(16)	72742/0.75hp	115/60	6-way	42.6
72263	73055/22"	79(18)	72743/1.0hp	115/230/60	6-way	52
72264	73065/26"	88(20)	72744/1.5hp	115/230/60	6-way	66.7
72055	73045/18"	40(9)	72515/0.35hp	230/50	6-way	(14.9)
72058	73045/18"	66(15)	72528/0.75hp	230/50	6-way	(23)
72059	73055/22"	70(16)	72529/1.0hp	230/50	6-way	(24.8)
72060	73065/26"	75(17)	72530/1.5hp	230/50	6-way	(30.8)
72062	73045/18"	66(15)	72542/0.75hp	230/50	6-way	(19.3)
72063	73055/22"	79(18)	72543/1.0hp	230/50	6-way	(25)
72064	73065/26"	92(21)	72544/1.5hp	230/50	6-way	(31)

Model Number	A mm(in)	B mm(in)
72055/72058/72255/72258/72062/72262	865(34")	460(18)
72059/72259/72063/72263	998(39.3")	560(22)
72060/72260/72064/72264	1150(45.3")	650(26)



CIPU

SALT GENERATOR

SALT CHLORINE GENERATOR

CIPU



Featured Highlights

- Easy to install and use, DIY simply
- Premium material: titanium plate service life can be 10000 hours
- Self-cleaning cell
- Mineral salt compatible
- Adjustable Chlorine Control
- Water resistant casing
- Oversalt protected
- Flow sensitive switch

Optimize your in-ground pool experience with the CIPU Salt Chlorine Generator. This natural approach to chlorination combats and eliminates the harsh smell associated with traditional factory-made chlorine and provides a convenient process of keeping your pool clean and clear. Rather than mixing, measuring or moving heavy buckets of chlorine, use this salt chlorination system to enjoy a fast, automated experience. Your pool will be mechanically sanitized as salt is transformed into chlorine. You' ll also see a cost reduction of 50% using this salt chlorine generator when compared to the use of other types of chlorine.

Order Guide

Model No.	70180000	70180100
Power Input	115V/AC、50/60HZ & 220/230V AC、50/60HZ	
Power Output	22~28VDC I<=6.5A	
Chlorine Generation / 24hours	576g	288g
Pool Size /m ³	140m ³	70m ³
Required Flow rate	700-4000 gallon/H(2650-15140L/H)	



More exciting models are coming soon ...

SALT CHLORINE GENERATOR



ROBOTIC CLEANER

CIPU



Featured Highlights

- 90 degree climbing wall ability
- 10000 hours long life with quite movement
- Three cycles optional: 1.5H/3H/5H
- Robot style pool cleaner designed for all pool shapes and surfaces, maximum cleaning pool size 180m2
- New and easy to use power supply 22 V;
- Filter Capacity:10um-100um optional

*Swivel - Cable Tangle Prevention System is optional.



CHARACTERISTICS



Oversized filter basket extending time between cleaning



18M wire



Cable Tangle Prevention system(optional)

CIPU

ROBOTIC CLEANERS

Model No.	Import Voltage	Hertz	Current Amps	Output Voltage	Cable Length Meter	Working °C	Running Speed M/min.
73280000	110-120	60	5-6	27V	18optional	10 -35	11±0.5
73280100	200-220	50	5-6	27V	18optional	10 -35	11±0.5

ROBOTIC CLEANER

CIPU



Featured Highlights

- Light weight and easy-to-use.
- Ideals for cleaning above ground pools as well as In-ground pools
- Two cycles optional: cycles I for small size pools; cycles II for large size pools
- Robot style pool cleaner designed for all pool shapes and surfaces, maximum cleaning pool size 12x6m
- New and easy to use power supply 27 V;
- Filter Capacity:10um-100um optional

*Swivel - Cable Tangle Prevention System is optional



CIPU



Featured Highlights

- The world' s No. 1 single-motor climb wall model;
- Light weight and easy-to-use.
- Ideals for cleaning above ground pools as well as In-ground pools
- Two cycles optional: cycles I for small size pools(1 hour); cycles II for large size pools(2 hours)
- Robot style pool cleaner designed for all pool shapes and surfaces, maximum cleaning pool size 12x6m
- New and easy to use power supply 24 V;
- Filter Capacity:10um-100um optional

*Swivel - Cable Tangle Prevention System is optional.



CHARACTERISTICS



Intelligent control box for easy operation



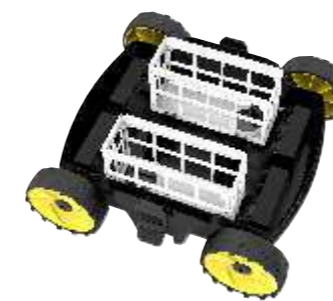
Cable Tangle Prevention System(optional)



Back/forward drive for free movement under water

Model No.	Import Voltage	Hertz	Current Amps	Output Voltage	Cable Length Meter	Working °C	Running Speed M/min.
73281000	110-120	60	5	27V	13	10 -35	14±0.5
73281100	200-220	50	5	27V	13	10 -35	14±0.5

CHARACTERISTICS



Mesh tray for easy clean and maintenance



VC wheel , the cleaner move faster, also clean the pool floor

Model No.	Import Voltage	Hertz	Current Amps	Output Voltage	Cable Length Meter	Working °C	Running Speed M/min.
73282000	110-120	60	7	24V	13	10 -35	18±0.5
73282100	200-220	50	7	24V	13	10 -35	18±0.5

CIPU

HEAT PUMP



HEAT PUMP

CIPU



Featured Highlights

- Stable, safety and silent operation
- ON/OFF programmable timer
- High-efficiency evaporator and Titanium heat exchanger
- Fan defrosting and low temperature protection
- Less energy using than a natural gas or propane heater

The SHAS32H, SHAS53H, SHAS65H & SHAS80H heat pumps from CIPU are the perfect addition to your pool. It provides perfect water temperature-even under hardest conditions-allowing you to swimming longer into the evening hours, earlier in the spring and later in the fall.



Main Components

Evaporator Coil

- Large Air Coils

Hydrophilic aluminum foil design maximizes heating at lower temperatures. We engineered coils are highly optimized to meet our specific design requirements. From the proper fins per inch to advanced distribution circuiting.



HEAT PUMP

Compressor

- Rotary/Scroll Compressor

Rotary/Scroll compressors are quiet and efficient compared to piston type compressors. They provide higher efficiency, lower sound levels, superior and unsurpassed reliability.



Heat Exchanger

- Spiral Titanium Tube

Our spiral titanium tube heat exchanger provides a corrosion-free waterway that can withstand the abuses of harsh pool chemistry. The spiral tube helps reduce deposit build-up and increases efficiency by our special design.



- Plumbing Connections

Off-set 2" PVC union connections are included for ease of installation.



Controls - Digital

- Pool Control

Your digital heat pump pool heater can be set to have a different target temperature for your pool. This allows you to dial in just the right temperature and never have to adjust it again.

On Board Diagnostics

Tells the homeowner if there is a problem.
Provides the service technician with detailed diagnostic information.



HEAT PUMP

HEAT PUMP

HEAT PUMP

Fan Motor and Blade

High rotation speed and lower power fan motor and light blade design provides unrestricted air flow for better heating. This means more air over the coil which translates to greater efficiency. A low noise fan which guarantees its quiet operation.



Throttle device

According to the specific needs of customers, all models can flexibly provide different throttle device which includes a thermal expansion valve (①), a electronic expansion valve (②) or a capillary(③) to meet requirements of different using occasions



HEAT PUMP

Technical Data

Model	Test Conditions	SHAS32H	SHAS53H	SHAS65H	SHAS80H
Input / (kW)	80°F Air, 80% RH, 80°F Water	1.4	2.4	2.9	3.6
Output / (BTU/h)		32000	53000	65000	80000
COP		6.6	6.6	6.6	6.5
Input / (kW)	80°F Air, 63% RH, 80°F Water	1.4	2.3	2.8	3.5
Output / (BTU/h)		30000	50000	61000	75000
COP		6.3	6.3	6.3	6.2
Input / (kW)	50°F Air, 63% RH, 80°F Water	1.3	2.1	2.6	3.3
Output / (BTU/h)		17900	29700	36400	44800
COP		4.1	4.1	4.1	4.0
Voltage		230V/60Hz/1PH	230V/60Hz/1PH	230V/60Hz/1PH	230V/60Hz/1PH
Rated Load Amperes / (A)		6.5	10.8	13.2	16.5
Compressor		Rotary	Rotary	Scroll	Scroll
Heat Exchanger		Titanium	Titanium	Titanium	Titanium
Fan Direction		Vertical	Vertical	Vertical	Vertical
Refrigerant		R410A	R410A	R410A	R410A
Fan Rotation Speed / (RPM)		850	950	950	950
Fan Power Input / (W)		210	210	250	250
Fan Blade Dimension / (mm)		500	500	500	500
Water Connection / (mm/in)		60 / 2"	60 / 2"	60 / 2"	60 / 2"
Optional Water Flow / (GPM)		14.4	23.8	29.2	36
Minimum-Maximum Water Flow/(GPM)		11-17	20-27	26-32	33-39
Noise Level / (dB(A))		50	53	54	56
Unit Net Dimension (L/W/H) / (mm)		690/690/738	690/690/738	690/690/938	690/690/938
Unit Shipping Dimension (L/W/H) / (mm)		738/738/880	738/738/880	738/738/1060	738/738/1060

Notes: Rated in accordance with AHRI Stand 1160;

Quick Selection Guide

Liters	Gallons(US)	Model recommendation
12811	3389	SHAS32H- SHAS53H
19684	5200	SHAS32H- SHAS65H
28769	7600	SHAS53H- SHAS65H
32635	8633	SHAS65H
39368	10400	SHAS65H- SHAS80H
51102	13500	SHAS65H- SHAS80H
65108	17200	SHAS65H- SHAS80H
50993	13490	SHAS65H- SHAS80H
58000	15343	SHAS80H
67288	17801	SHAS80H

HEAT PUMP

HEAT PUMP

CIPU



Featured Highlights

- Stable, safety and silent operation
- ON/OFF programmable timer
- High-efficiency evaporator and Titanium heat exchanger
 - Fan defrosting and low temperature protection
 - Less energy using than a natural gas or propane heater

The heat pumps from CIPU are the perfect addition to your pool. It provides perfect water temperature-even under hardest conditions-allowing you to swimming longer into the evening hours, earlier in the spring and later in the fall.

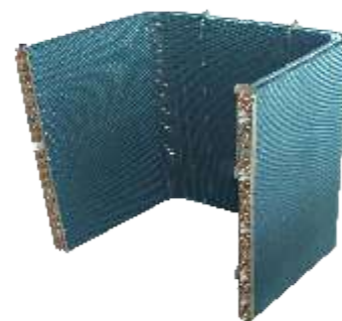


Main Components

Evaporator Coil

- Large Air Coils

Hydrophilic aluminum foil design maximizes heating at lower temperatures. We engineered coils are highly optimized to meet our specific design requirements. From the proper fins per inch to advanced distribution circuiting.



Compressor

- Rotary/Scroll Compressor

Rotary/Scroll compressors are quiet and efficient compared to piston type compressors. They provide higher efficiency, lower sound levels, superior durability and unsurpassed reliability.



Heat Exchanger

- Spiral Titanium Tube

Our spiral titanium tube heat exchanger provides a corrosion-free waterway that can withstand the abuses of harsh pool chemistry. The spiral tube helps reduce deposit build-up and increases efficiency by our special design.



- Plumbing Connections

Off-set 2" PVC union connections are included for ease of installation.



Controls - Digital

- Pool Control

Your digital heat pump pool heater can be set to have a different target temperature for your pool. This allows you to dial in just the right temperature and never have to adjust it again.

On Board Diagnostics

Tells the homeowner if there is a problem.
Provides the service technician with detailed diagnostic information.



HEAT PUMP

HEAT PUMP

HEAT PUMP

Fan Motor and Blade

High rotation speed and lower power fan motor and light blade design provides unrestricted air flow for better heating. This means more air over the coil which translates to greater efficiency. A low noise fan which guarantees its quiet operation.



Throttle device

According to the specific needs of customers, all models can flexibly provide different throttle device which includes a thermal expansion valve (①), a electronic expansion valve (②) or a capillary(③) to meet requirements of different using occasions



HEAT PUMP

Technical Data

Model	Test Conditions	SHAS95H	SHAS110H	SHAS125H	SHAS137H
Input / (kW)	80°F Air, 80% RH, 80°F Water	4.3	4.8	5.5	6.0
Output / (BTU/h)		95000	110000	125000	137000
COP		6.5	6.7	6.7	6.7
Input / (kW)	80°F Air, 63% RH, 80°F Water	4.2	4.6	5.3	5.8
Output / (BTU/h)		89000	100000	117000	128000
COP		6.2	6.4	6.4	6.4
Input / (kW)	50°F Air, 63% RH, 80°F Water	3.9	4.5	5.1	5.6
Output / (BTU/h)		53200	61600	70000	76700
COP		4.0	4.0	4.0	4.0
Voltage		230V/60Hz/1PH	230V/60Hz/1PH	230V/60Hz/1PH	230V/60Hz/1PH
Rated Load Amperes / (A)		19.6	22	25	27.4
Compressor		Scroll	Scroll	Scroll	Scroll
Heat Exchanger		Titanium	Titanium	Titanium	Titanium
Fan Direction		Vertical	Vertical	Vertical	Vertical
Refrigerant		R410A	R410A	R410A	R410A
Fan Rotation Speed / (RPM)		950	950	950	950
Fan Power Input / (W)		410	560	560	560
Fan Blade Dimension / (mm)		500	500	500	500
Water Connection / (mm/in)		60 / 2"	60 / 2"	60 / 2"	60 / 2"
Optional Water Flow / (GPM)		42.7	49.5	56.2	61.6
Minimum-Maximum Water Flow/(GPM)		39-46	36-53	53-60	58-65
Noise Level /(dB(A))		59	61	62	63
Unit Net Dimension (L/W/H) / (mm)		820/820/1020	820/820/1020	820/820/1020	820/820/1020
Unit Shipping Dimension (L/W/H) / (mm)		850/850/1165	850/850/1165	850/850/1165	850/850/1165

Notes: Rated in accordance with AHRI Stand 1160;

Quick Selection Guide

Liters	Gallons(US)	Model recommendation
67288	17801	SHAS95-SHAS125
70092	18500	SHAS95-SHAS125
79871	21100	SHAS95-SHAS125
102285	26700	SHAS110-SHAS137
124918	33000	SHAS110-SHAS137



CIPU LIGHTS

POOL LIGHTS

Brightness: Universal CIPU Pool, Spa & Backyard Lights are 100% brighter than any other color LED light.

Energy Savings: Universal CIPU Pool, Spa & Backyard Lights save up to 86% on energy costs.

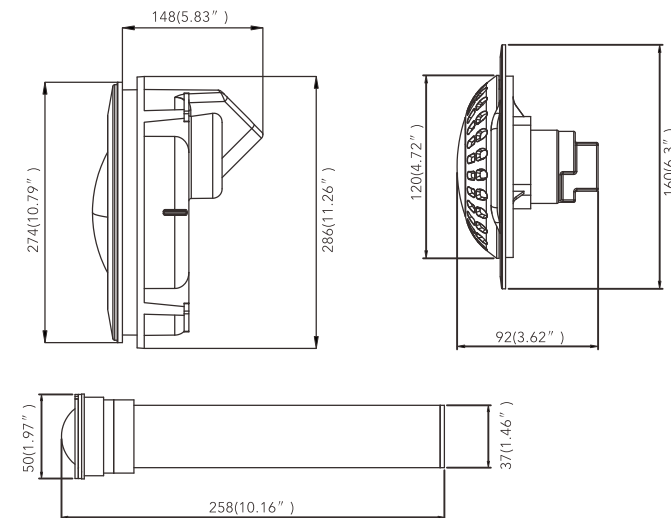
Low-Voltage: CIPU Pool, Spa & Backyard Lights are low-voltage and UL-listed for safe wall and floor installation.

Performance: CIPU Pool, Spa & Backyard Lights last 10 times longer than incandescent bulbs.

Features:

- Choose from 10 solid colors and 7 dynamic.
- Easy maintenance.
- Can communicate with the controller
- No need to lower the water level while repairing
- Transformer is not included

Dimensions



70740



70741



70742



Plastic Ring is also Available

Model No.	Voltage	Application	Color	LED PCS	CTN QTY	Shipping Weight Lbs.	Carton Size(cm)
70740	14V/AC/70W	Concrete Pool	White/Mult	24	1	7.9	37*37*21
70741	14V/AC/15W	Concrete Pool	Multicolor	12	1	7.4	20*20*15
70742	14V/AC/23W	PVC Pool	Multicolor	17	1	5.1	47*20*15