

总公司地址: 中国·广东省广州市番禺区江涌大道117号 邮编: 529600
 电话: (0662) 7707230 7706942
 传真: (0662) 7707231 7707232
 技术服务: (0662) 7706146
 英语客服: (0662) 7706135
 Add: No.117 Chunjiang Road Yangshu City GD, China P.C:529600
 Tel: (0662) 7707230 7706942
 Fax: (0662) 7707231 7707232
 http://www.lingxiao.com.cn
 http://www.lkpump.com.cn
 E-mail: Sales@lingxiao.com.cn

好水泵 凌霄®造

■ 上市公司:凌霄泵业

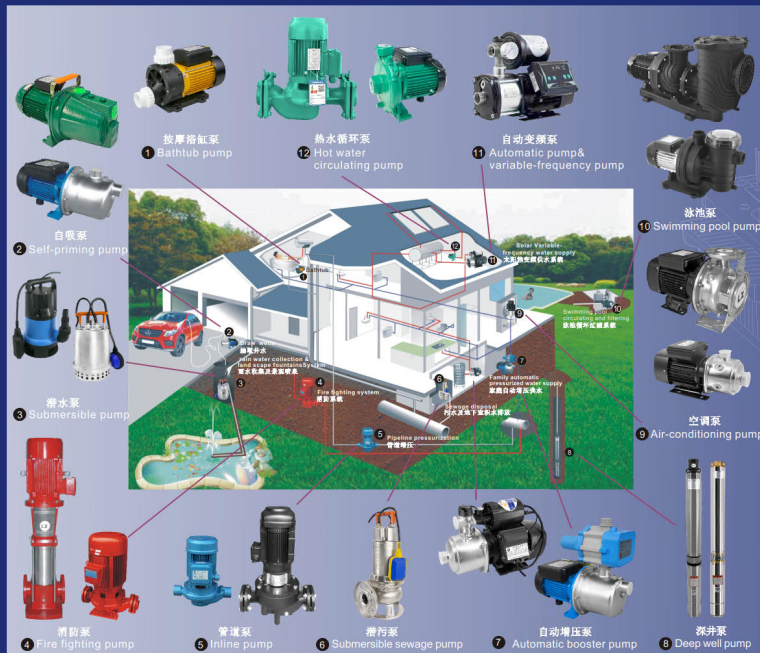
■ 股票代码:002884

LX® PUMP VERY GOOD

■ Listed company: Lingxiao pump

■ Stock code: 002884

浴缸泵、SPA泵、泳池泵、风泵、加热器
 Bathtub pump, SPA pump, Swimming pool pump, Blower, heater



广东凌霄泵业股份有限公司
 GUANGDONG LINGXIAO PUMP INDUSTRY CO., LTD.

官方微信公众号



数据仅供参考; 如有改动, 恕不通知。
 The technical data are subject to amend without notice.
 版权专属, 翻印必究。



美国UL认证



美国ETL认证



加拿大CSA认证



欧盟CE认证



德国TUV认证



德国TUV-GSU认证



欧盟RoHS认证



澳洲SAA认证



中国CNAS认证

广东凌霄泵业股份有限公司成立于1977年，40多年来，我们只专注、专业于电动机、水泵的生产制造。公司于2017年7月11日在深圳交易所中小板上市，公司简称：“凌霄泵业”，股票代码：“002884”。

凌霄泵业 主要生产不锈钢泵、康体娱乐泵、清水泵、潜水泵、管道泵、化工泵等系列产品，各类电泵年生产能力达450多万套，1000多个品种规格，形成了标准化、专业化和规模化生产。公司销售网络遍及全球，产品被广泛应用于按摩浴缸、SPA、泳池水行系统，水处理系统，冷/热水供水系统，二次增压供水系统，消防供水系统，空调/地暖水循环系统，风力发电水循环系统，排污系统，雨水收集系统，喷淋系统，地下排水系统，景观喷泉系统、海水抽送、家庭增压以及农业灌溉等领域。

凌霄泵业 被认定为国家高新技术企业，公司试验中心获得国家的CNAS、CTF实验室认可资格，建成有省级企业技术中心、省级电泵工程中心、广工大电机水泵研究所、德国TUV目击试验室、美国UL目击试验室等电泵研发机构。

凌霄泵业 建立了完善的产品质量管理体系，从原材料、零部件采购到电泵成品出厂全过程进行了严格的检验和测试，确保产品质量优良、安全可靠。企业通过了ISO9001质量管理体系认证、ISO14001环境管理体系认证、ISO45001职业健康安全管理体系认证，整泵通过美国UL、美国ETL、德国TUV、欧洲CE、澳洲SAA、中国3C等安全认证。

凌霄泵业 拥有一支专业、敬业的全球销售团队和售后服务团队，公司以开放的态度、前瞻的眼光面对万变的市場，不断创新，坚持以客户需求为导向，及时响应客户需求，为客户提供高性价比、安全环保的产品和优质服务。诚邀国内外朋友到公司参观指导，我们坚持以“优质、平价、品牌、共赢”的战略方针，体现凌霄泵业的专注及专业性，我们坚守“好水泵·凌霄造”的企业宗旨，以规模优势和质量优势为客户提供百年老店的服务和信用。



Guang Dong Ling Xiao Pump Industry Co. Ltd. was established in 1977. In more than 40 years, we only focus on and specialize in motors and pumps manufacturing. Our company was listed on Shen Zhen SME stock market in July 11, 2017. The listed name is "Ling Xiao Pump Industry" and stock code is "002884".

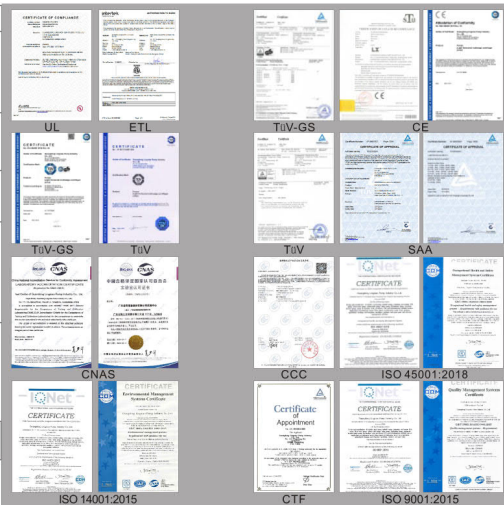
The major products of **Ling Xiao Pumps** include stainless steel pumps, Hydro Massage Pumps, Clear Water Pumps, Submersible Pumps, Industrial In-line Pumps, Chemical pump and so on. Our annual production capacity has more than 4.5 million pumps with the help of standardizing, specializing and Large-scale production line and our products have been developed to more than 1000 varieties. Our sales network covers all around the world. Our pumps are widely used for Hydro Massage bathtub, swimming pool & SPA system, water treatment system, Cool/Hot water supply system, secondary constant pressure water supply system, fire-fighting water supply system, air condition -ing / Geothermal water circulation system, wind power generation water circulation system, sewage system, rainwater collection system, spray system, underground water lifting system, landscape fountain system, sea water pump -ing, home supercharge and agricultural irrigation and other fields.

Ling Xiao Pumps is identified as a National High-Tech enterprise. Our company's test center has obtained the national CNAS, CTF laboratory accreditation and has established provincial enterprise technology center, provincial electric pump engineering center, Guang Dong University Electric Pump Research Institute, German TUV witness laboratory, USA UL witness Laboratory.

Ling Xiao Pumps has established an excellent product quality management system, and applied a strict inspection and testing process, from raw materials, parts procurement until finished electric pumps out of factory, to ensure excellent product quality, safety and reliability. Our company has passed the ISO9001 quality management system certification, ISO14001 environmental management system certification, ISO45001 Occupational health and safety management system certification. The whole pumps have obtained several safety certifications including USA UL & ETL, Germany TUV, Europe CE, Australia SAA, and China 3C.

Ling Xiao Pumps has a professional, dedicated global sales team and after-sales service team. We maintain an open attitude and forward-looking vision to face a dynamic market, insist continuous innovation guided by customers demand, and timely response to their request. In addition, we provide customers with cost-effective, safe and environmentally friendly products and quality services. Both domestic and foreign clients are warmly welcome to our company. We adhere to our strategic policy: "High-Quality, Competitive Prices, Brand, Win-Win" which shows our professionalism and core value. Further, we stick to our Corporate Mission "Great Pumps Made by LX", provide excellent service, and keep our promise like a Century-old shop by the help of the advantage of scale & quality.

认证名称 Certificate	认证机构 Certificate institution	相关认证标志 Interrelated Certificate symbol	认证标准 Certificate Standard	查询方式 Check way
UL (美国安全认证) (U.S. Safety certification)	美国UL公司		UL1795 UL1081 UL1563	https://iq.ulprospector.com/
ETL (美国安全认证) (U.S. Safety certification)	美国ITSS公司		UL1081	http://ethidirectory.Elisemko.com/WebClients/ITS/ULProducts.nsf/\$\$Search?OpenForm
CE (欧盟强制安全认证) (EU mandatory safety certificate)	德国莱茵/广州首创 TUV/S TU			
TUV (德国安全认证) (零部件) (German safety certification)	德国莱茵 TUV Rheinland		EN60335-1 EN60335-2-30 EN60335-2-41 EN60335-2-35 EN60335-2-60 EN60335-2-80	http://www.chn.tuv.com/en/
TUV-GS (德国安全认证) (整机) (German safety certification)	德国莱茵 TUV Rheinland			
TUV-GS (德国安全认证) (整机) (German safety certification)	德国南德 Tiv-Süd			http://tuvamerica.com/tools/clientlists/certs.cfm
TUV (德国安全认证) (零件) (German safety certification)	德国莱茵 TUV Rheinland			
SAA (澳大利亚安全认证) (Australia safety certification)	德国莱茵 TUV Rheinland		AS/NZS60335.1 AS/NZS60335.2.41	
CCC (中国强制认证) (China Compulsory Certification)	自我声明 Self-declaration		GB/T 12350 GB/T 14711	



ISO 14001:2015

CTF

ISO 9001:2015

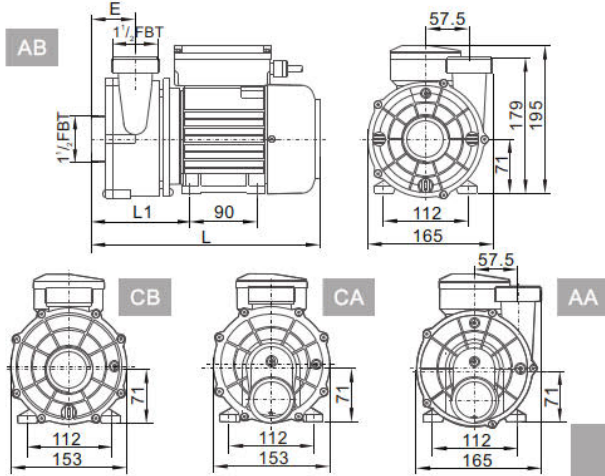
欧洲款
EUROPEAN TYPE

1 按摩浴缸泵 Hydromassage bathtub pump		3 循环泵 Circulating pump	
DH	 1	WE	 17
EA	 2	WTC50M	 19
JA	 3	WTC50M-C	 20
TDA	 4	LP-M	 21
WPP	 5	WTC-M	 22
WTC	 6	4 泳池泵 Swimming pool pump	
WLX310K	 7	STP SP	 23
WM	 8	SMP	 26
WN	 9	SQP	 28
WKE	 10	SBP	 29
WH	 11	SUPA SUPB	 30
2 SPA泵 SPA pump		SWIM SWIM S1	 31
LP	 12	SWIM 2 SWIM S2	 33
WP WP-8 WP-2/6	 13	SWPA SWPB	 34
		SFP	 35
		SHP	 36
		PM SWM	 37
		SFE	 38
		SEQ	 39
		SLP	 40
		WTB	 41
		WEQ	 42
		WLP	 43
		SGM	 44
		SGP	 45
		SGB	 46
		SGE	 47
		SCA	 48

北美款
NORTH AMERICATYPE

1 按摩浴缸泵 Hydromassage bathtub pump		4 泳池泵 Swimming pool pump		风泵 Air Blower	
WCA WBA WAA	 50	SUA	 63	AP	 76
WCH WBH WAH	 51	56SUP	 64	APR	 77
NR120	 52	48SUP	 65	APD	 78
2 SPA泵 SPA pump		48SUPD	 66	APW	 79
WBC150	 53	48SHPD	 67	恒温器 Heater	
WBE150	 54	56SWP	 68	HR	 80
56WUA	 55	56SFP	 69	HRS	 81
56WUA-a	 57	56SFE	 70	HA-R	 82
56WUA-2/6	 58	SHP130-VS	 71	附录 Appendix	
48WUA	 59	SFP220-VS	 72	接头汇总 Union summary	
48WUA-2/6	 60	SUP220-VS SUP395-VS	 73	世界各国电压、频率、插头形式 General Chart of rated Voltage, Frequency, Plug of Different Nations	
3 循环泵 Circulating pump		SWP395-VS	 74	85	
48WTC0153C-1	 61	DBM	 75	各式插头图片 All kinds of Plug picture	
48WTC0153C-1A	 62			87	

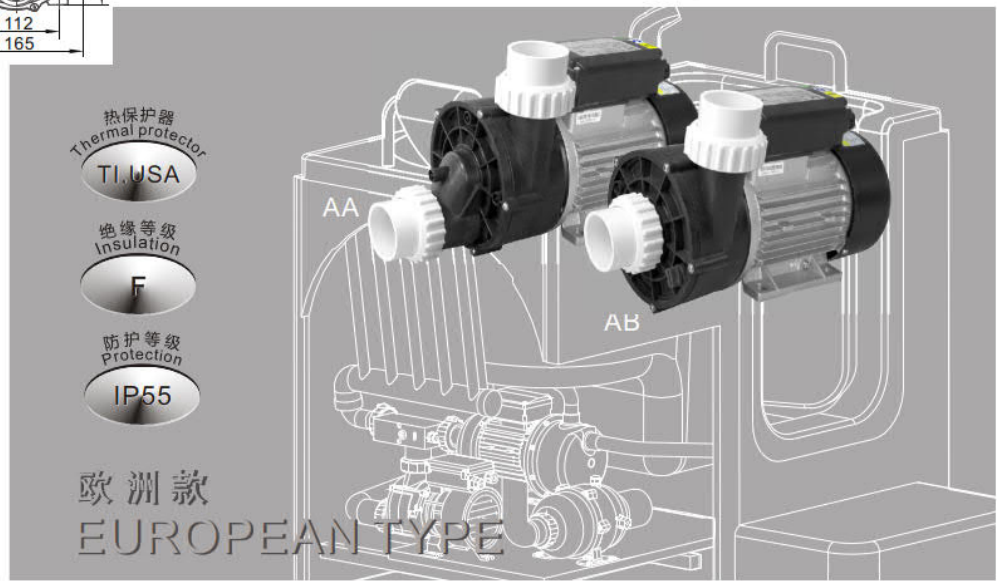
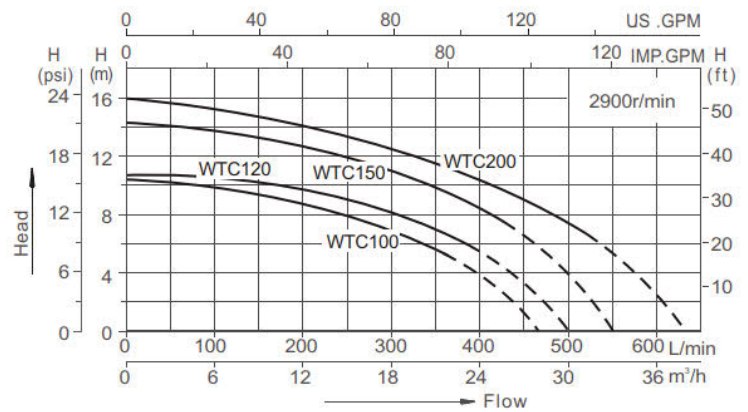
外形安装尺寸 Overall dimension



型号 Model	泵型式 Pump type	外形尺寸 Shape size (mm)		
		E	L	L1
WTC100	AA	97	339	169
	CA	102	339	169
	AB	60	302	132
	CB	65	302	132
WTC120	AA	97	336	169
	CA	102	336	169
	AB	60	302	132
	CB	65	302	132
WTC150	AA	97	336	169
	CA	102	336	169
	AB	60	302	132
	CB	65	302	132
WTC200	AA	97	336	169
	CA	102	336	169
	AB	60	302	132
	CB	65	302	132

多种进出口组合方式供选择。
A variety of inlet and outlet are optional.

性能曲线 Performance curves



欧洲款
EUROPEAN TYPE



EN 60335-1
EN 60335-2-41
EN 60335-2-60
EN 62233
ERP547



海水养殖循环过滤
Mariculture circulation filter

工作条件

介质温度: 5-50℃
环境温度: < 50℃
最大工作压力: 0.3MPa

Working conditions

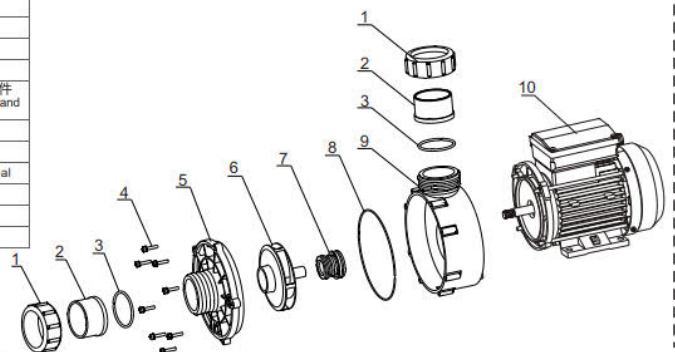
Medium temperature: 5-50℃
Environmental temperature: ≤50℃
Max. working pressure: 0.3MPa

技术参数列表 Technical parameter list

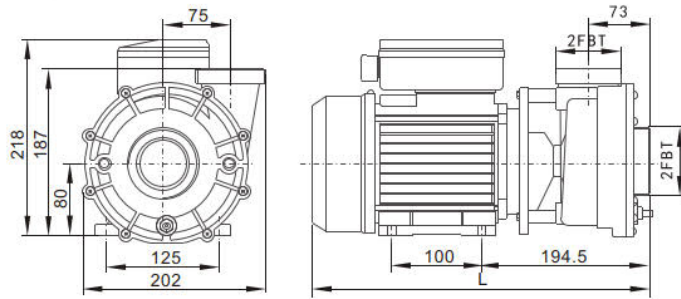
型号 Model	最大流量 Q _{max} (l/min)	最大扬程 H _{max} (m)	电压/频率 V/Hz	输入功率 Power(P ₁) kW HP	电流 (Amps)	接头尺寸 Fitting size (mm)	重量 G.W (Kg)	包装尺码 Packing size (mm)	
WTC100	460	10.5	220-240/50	0.75 1.0	3.8	48.5or50	7.5	AA	365×190×250
								CA	325×190×250
								AB	325×190×250
WTC120	520	11.5	220-240/50	0.9 1.2	4.6	48.5or50	8.6	AA	365×190×250
								CA	325×190×250
								AB	325×190×250
WTC150	560	14.5	220-240/50	1.1 1.5	5.8	48.5or50	9.0	AA	365×190×250
								CA	325×190×250
								AB	325×190×250
WTC200	620	16	220-240/50	1.5 2.0	7.0	48.5or50	10	AA	365×190×250
								CA	325×190×250
								AB	325×190×250

230V/60Hz, 110V/60Hz, 110V/50Hz models are available on request

序号 NO.	名称 Name
1	接头螺母 Tie-in Nut
2	接头 Tie
3	O形圈 O-Ring
4	十字盘头螺钉和平垫圈组合件 cross recessed pan head screw and washer assemblies
5	泵盖 Pump Cover
6	叶轮 Impeller
7	机械密封 Mechanical seal
8	O形圈 O-Ring
9	泵壳 Pump Casing
10	电机 Motor

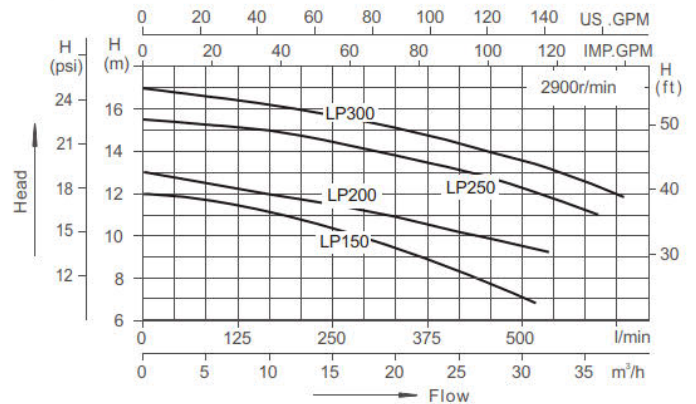


外形安装尺寸 Overall dimension



型号 Model	L
LP150	382
LP200	382
LP250	382
LP300	397

性能曲线 Performance curves



Type Approved
Safety
Regular Production
Surveillance
www.tuv.com
ID 2000000009

EN 60335-1
EN 60335-2-41
EN 60335-2-60
EN 62233
ERP547

SAA

AS/NZS60335.1
AS/NZS60335.2.41
AS/NZS 60335.2.60



海水养殖循环过滤
Mariculture circulation filter



浴缸水循环
Recirculation of water in Bathtub pump



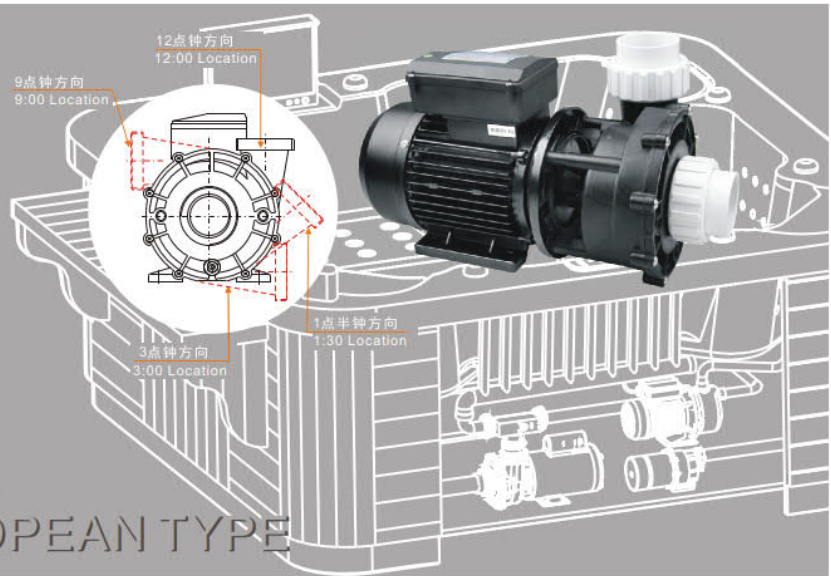
SPA池水循环
Recirculation of water in SPAequipment

工作条件

介质温度: 5-50°C
环境温度: < 50°C
最大工作压力: 0.3MPa

Working conditions

Medium temperature: 5-50°C
Environmental temperature: ≤50°C
Max.working pressure: 0.3MPa



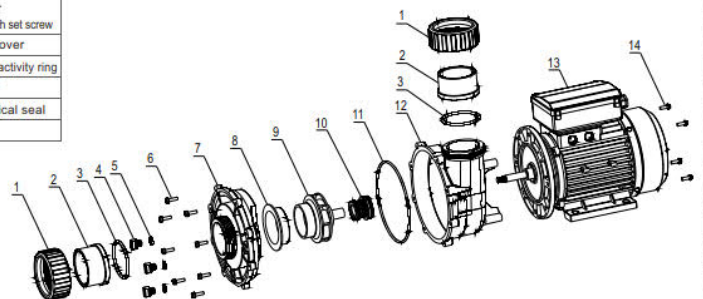
欧洲款
EUROPEAN TYPE

技术参数列表 Technical parameter list

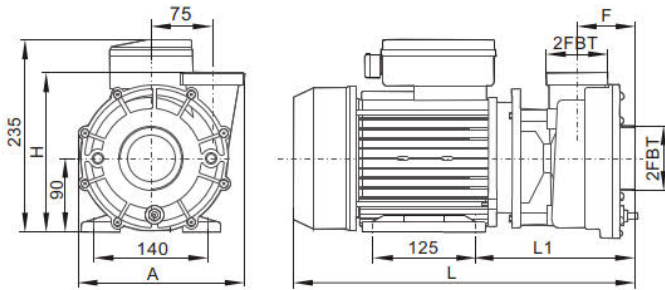
型号 Model	最大流量 Qmax (l/min)	最大扬程 Hmax (m)	电压/频率 V/Hz	输入功率 Power(P ₁)		电流 (Amps)	接头尺寸 Fitting size (mm)	毛重 G.W (Kg)	包装尺码 Packing size (mm)
				kW	HP				
LP150	520	12	220-240/50	1.1	1.5	5.8	60.3or63	12	425×225×290
LP200	535	13	220-240/50	1.5	2.0	7.0	60.3or63	12.7	425×225×290
LP250	600	15.5	220-240/50	1.85	2.5	8.0	60.3or63	15.5	425×225×290
LP300	635	17	220-240/50	2.2	3.0	10	60.3or63	16.3	425×225×290

230V/60Hz, 110V/60Hz, 110V/50Hz models are available on request

序号 NO.	名称 Name	序号 NO.	名称 Name
1	接头螺母 Tie-in Nut	12	泵体 Pump body
2	接头 Tie	13	电机 Motor
3	O形圈 O-Ring	14	六角头螺栓和平垫圈组合件 Hexagon head bolt and plain washer assembly
4	螺塞 Plug		
5	O形圈 O-Ring		
6	十字槽圆柱头带垫螺钉 Cross slotted cylinder head with set screw		
7	泵盖 Pump Cover		
8	叶轮活动口环 Impeller activity ring		
9	叶轮 Impeller		
10	机械密封 Mechanical seal		
11	O形圈 O-Ring		



外形安装尺寸 Overall dimension



型号 Model	外形尺寸 Shape size (mm)				
	A	H	L	L1	F
WP200-I	202	197	416	197	73
WP250-I	202	197	416	197	73
WP300-I	202	197	416	197	73
WP400-I	211	210	421	200	75
WP200-II	202	197	434	197	73
WP250-II	202	197	434	197	73
WP300-II	202	197	434	197	73



EN 60335-1
EN 60335-2-41
EN 60335-2-60
EN 62233
ERP547

SAA

AS/NZS60335.1
AS/NZS60335.2.41
AS/NZS 60335.2.60



海水养殖循环过滤
Mariculture circulation filter



浴缸水循环
Recirculation of water in Bathtub pump



SPA池水循环
Recirculation of water in SPA equipment

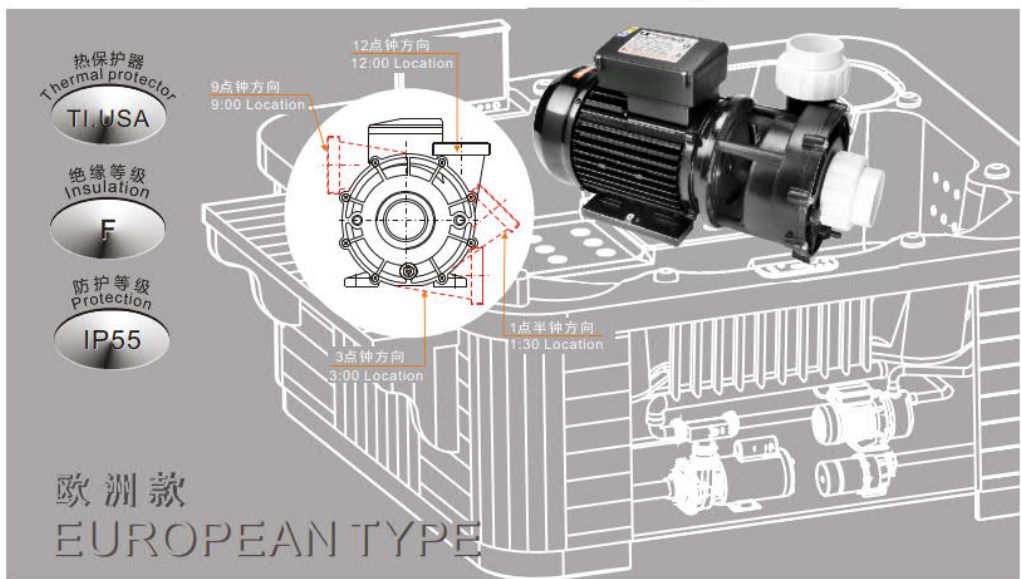
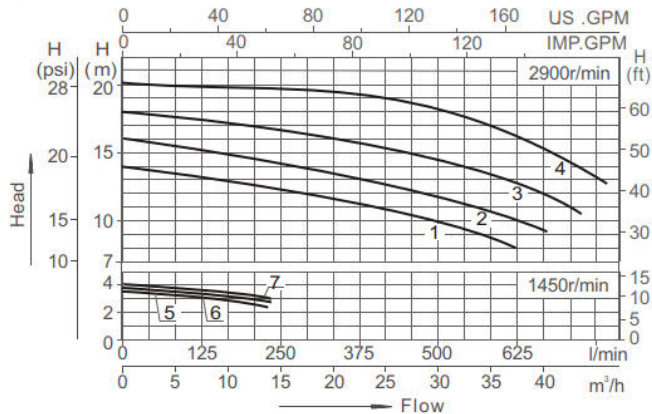
工作条件

介质温度: 5-50℃
环境温度: < 50℃
最大工作压力: 0.3MPa

Working conditions

Medium temperature: 5-50℃
Environmental temperature: ≤50℃
Max. working pressure: 0.3MPa

性能曲线 Performance curves



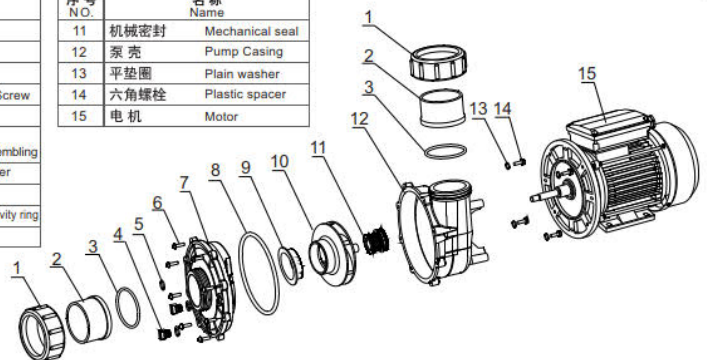
技术参数列表 Technical parameter list

型号 Model	最大流量 Qmax (l/min)	最大扬程 Hmax (m)	曲线 Curves	电压/频率 V/Hz	输入功率 Power(P ₁)		电流 Amps	接头尺寸 Fitting size (mm)	毛重 G.W (Kg)	包装尺码 Packing size (mm)	
					kW	HP					
WP200-I	620	14	1	220-240/50	1.5	2.0	7.0	60.3or63	15.3	460×225×295	
WP250-I	670	16	2	220-240/50	1.85	2.5	9.0	60.3or63	16.3	460×225×295	
WP300-I	730	18	3	220-240/50	2.2	3.0	10	60.3or63	18	460×225×295	
WP400-I	780	19	4	220-240/50	3.0	4.0	14	60.3or63	19.2	460×225×295	
WP200-II	280	3.5	5	220-240/50	(Low speed)0.35		3/8	2.0	60.3or63	15.5	460×225×295
					(High speed)1.5						
WP250-II	300	3.5	6	220-240/50	(Low speed)0.4		1/2	2.5	60.3or63	17	460×225×295
					(High speed)1.85						
WP300-II	330	4.0	7	220-240/50	(Low speed)0.45		5/8	3.0	60.3or63	18.5	460×225×295
					(High speed)2.2						

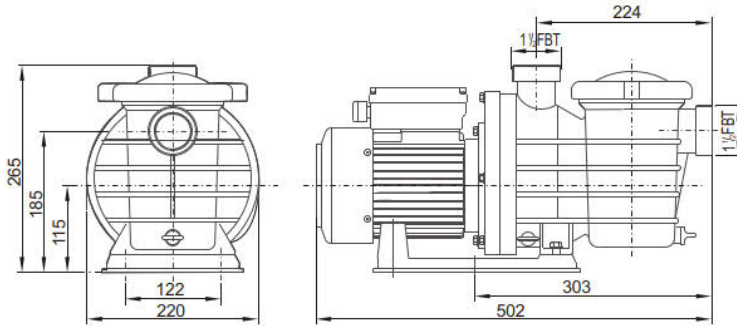
230V/60Hz, 110V/60Hz, 110V/50Hz models are available on request

序号 NO.	名称 Name
1	接头螺母 Tie-in Nut
2	接头 Tie
3	O形圈 O-Ring
4	注放水螺塞 Hexagon Screw
5	O形圈 O-Ring
6	十字盘头螺钉组合件 cross raised head screw assembling
7	泵盖 Pump Cover
8	O形圈 O-Ring
9	叶轮活动口环 Impeller activity ring
10	叶轮 Impeller

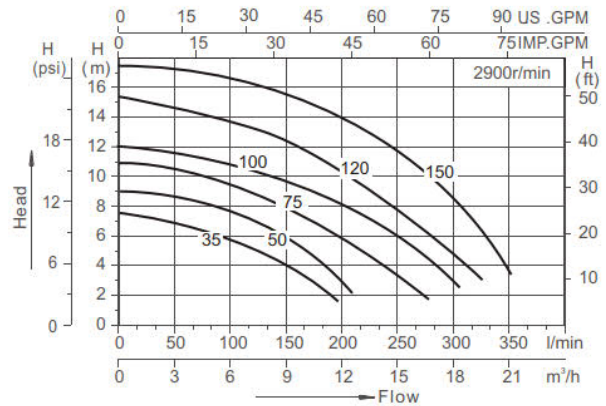
序号 NO.	名称 Name
11	机械密封 Mechanical seal
12	泵壳 Pump Casing
13	平垫圈 Plain washer
14	六角螺栓 Plastic spacer
15	电机 Motor



外形安装尺寸 Overall dimension

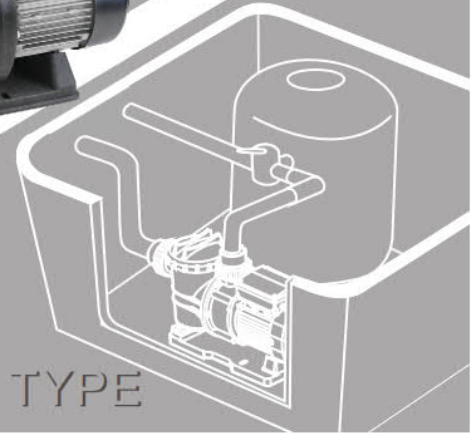


性能曲线 Performance curves



EN 60335-1
EN 60335-2-41
EN 62233
ERP547

- 热保护器
Thermal protector
TI, USA
- 绝缘等级
Insulation
F
- 防护等级
Protection
IP55
- 最大吸程
Max Suction
1.5M



欧洲款
EUROPEAN TYPE



海水养殖循环过滤
Mariculture circulation filter



泳池循环过滤
Recirculation of water in swimming pool equipment

技术参数列表 Technical parameter list

型号 Model	最大流量 Qmax (l/min)	最大扬程 Hmax (m)	电压/频率 V/Hz	输入功率 Power(P ₁)		电流 (Amps)	接头尺寸 Fitting size (mm)	毛重 G.W (Kg)	包装尺码 Packing size (mm)
				kW	HP				
SMP35	190	7.5	220-240/50	0.25	0.35	1.6	48.5or50	8.1	535×255×325
SMP50	220	9	220-240/50	0.37	0.5	2.0	48.5or50	9.3	535×255×325
SMP75	280	11	220-240/50	0.55	0.75	3.2	48.5or50	10.6	535×255×325
SMP100	310	12	220-240/50	0.75	1.0	3.8	48.5or50	11.4	535×255×325
SMP120	340	15.5	220-240/50	0.9	1.2	4.6	48.5or50	11.8	535×255×325
SMP150	350	17.5	220-240/50	1.1	1.5	5.8	48.5or50	12.8	535×255×325

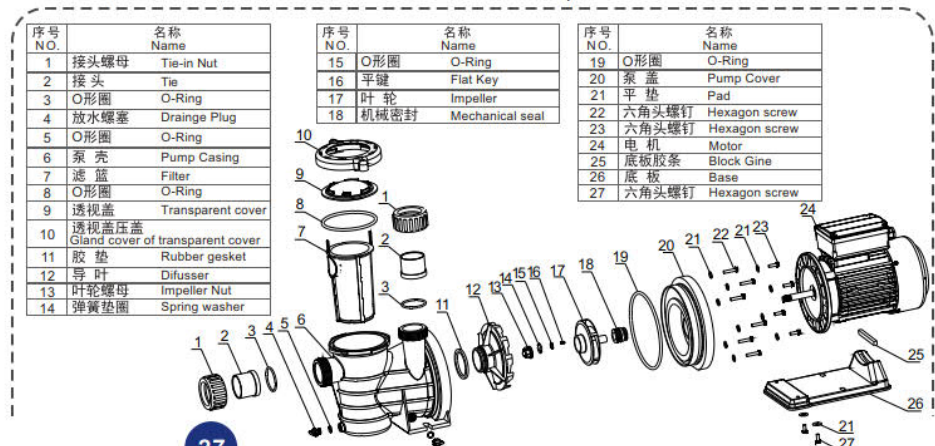
230V/60Hz, 110V/60Hz, 110V/50Hz models are available on request

工作条件

介质温度: 5-50℃
环境温度: <50℃
最大工作压力: 0.3MPa

Working conditions

Medium temperature: 5-50℃
Environmental temperature: <50℃
Max. working pressure: 0.3MPa

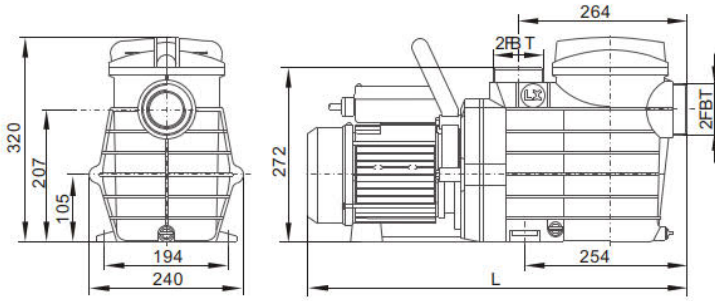


序号 NO.	名称 Name
1	接头螺母 Tie-in Nut
2	接头 Tie
3	O形圈 O-Ring
4	放水螺塞 Drainage Plug
5	O形圈 O-Ring
6	泵壳 Pump Casing
7	滤篮 Filter
8	O形圈 O-Ring
9	透视盖 Transparent cover
10	透视盖压盖 Gland cover of transparent cover
11	胶垫 Rubber gasket
12	导叶 Diffuser
13	叶轮螺母 Impeller Nut
14	弹簧垫圈 Spring washer

序号 NO.	名称 Name
15	O形圈 O-Ring
16	平键 Flat Key
17	叶轮 Impeller
18	机械密封 Mechanical seal

序号 NO.	名称 Name
19	O形圈 O-Ring
20	泵盖 Pump Cover
21	平垫 Pad
22	六角头螺钉 Hexagon screw
23	六角头螺钉 Hexagon screw
24	电机 Motor
25	底板胶条 Block Gine
26	底板 Base
27	六角头螺钉 Hexagon screw

外形安装尺寸 Overall dimension



型号 Model	L	型号 Model	L
SUPB075		SUPA150	628
SUPB100		SUPA200	628
SUPB150	593	SUPA250	628
SUPB200		SUPA300	646
SUPB250		SUPA150-II	646
SUPB300	609	SUPA200-II	646
		SUPA250-II	646
		SUPA300-II	646



EN 60335-1
EN 60335-2-41
EN 62233
ERP547

SAA

AS/NZS60335.1
AS/NZS60335.2.41

SASO

IEC60335-2-41
IEC 60335-1
IEC 62233



海水养殖循环过滤
Mariculture circulation filter



泳池循环过滤
Recirculation of water in swimming pool equipment

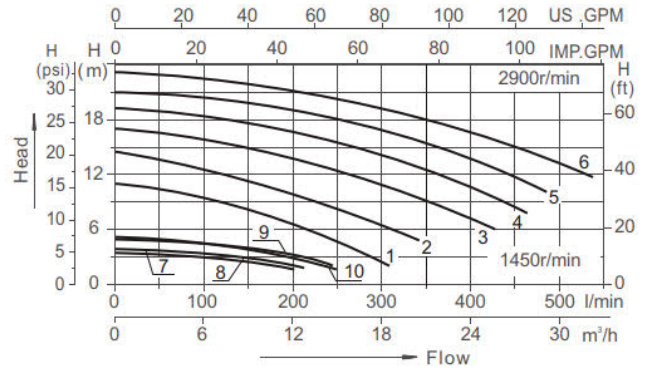
工作条件

介质温度: 5-50℃
环境温度: <50℃
最大工作压力: 0.3MPa

Working conditions

Medium temperature: 5-50℃
Environmental temperature: ≤50℃
Max. working pressure: 0.3MPa

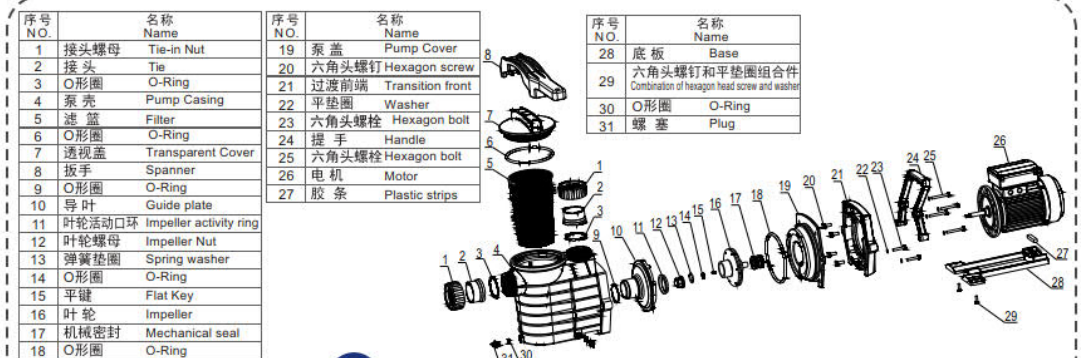
性能曲线 Performance curves



技术参数列表 Technical parameter list

型号 Model	最大流量 Qmax (l/min)	最大扬程 Hmax (m)	曲线 Curves	电压/频率 V/Hz	输入功率 Power(P ₁)		电流 Amps	接头尺寸 Fitting size (mm)	毛重 G.W (Kg)	包装尺码 Packing size (mm)
					kW	HP				
SUPB075	290	10	1	220-240/50	0.55	0.75	3.2	60.3or63	14.6	635×275×380
SUPB100	380	13	2	220-240/50	0.75	1.0	3.8	60.3or63	16	635×275×380
SUPB150	420	17	3	220-240/50	1.1	1.5	5.2	60.3or63	17.3	635×275×380
SUPB200	465	19	4	220-240/50	1.5	2.0	7.0	60.3or63	19	635×275×380
SUPB250	480	21	5	220-240/50	1.85	2.5	8.6	60.3or63	20.8	635×275×380
SUPB300	540	23	6	220-240/50	2.2	3.0	10	60.3or63	22.3	650×275×380
SUPA150	420	18.5	3	220-240/50	1.1	1.5	5.2	60.3or63	19.3	670×275×380
SUPA200	465	19.5	7	220-240/50	1.5	2.0	7.0	60.3or63	21	670×275×380
SUPA250	480	21	8	220-240/50	1.85	2.5	8.6	60.3or63	23	670×275×380
SUPA300	540	23	9	220-240/50	2.2	3.0	10	60.3or63	24.1	670×275×380
SUPA150-II	200	4.0	7	220-240/50	(Low speed) 0.3	3/8	2.2	60.3or63	20	685×275×380
	420	18.5	3	220-240/50	(High speed) 1.1	1.5	5.2	60.3or63	20	685×275×380
SUPA200-II	215	4.5	8	220-240/50	(Low speed) 0.35	3/8	2.4	60.3or63	22	685×275×380
	465	19.5	4	220-240/50	(High speed) 1.5	2.0	7.0	60.3or63	22	685×275×380
SUPA250-II	230	5	9	220-240/50	(Low speed) 0.4	1/2	2.8	60.3or63	24	685×275×380
	480	21	5	220-240/50	(High speed) 1.85	2.5	8.6	60.3or63	24	685×275×380
SUPA300-II	250	5.5	10	220-240/50	(Low speed) 0.45	5/8	3.2	60.3or63	24.8	685×275×380
	540	23	6	220-240/50	(High speed) 2.2	3.0	10	60.3or63	24.8	685×275×380

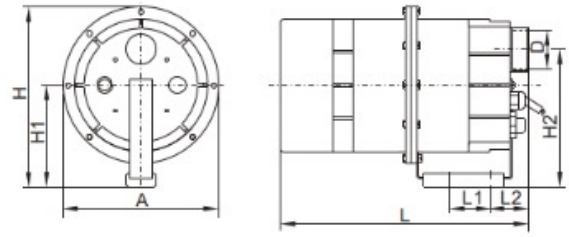
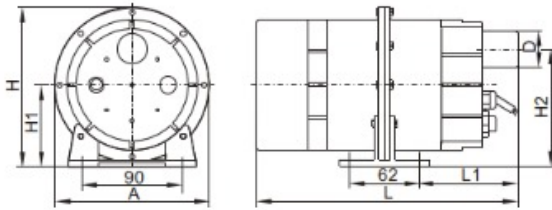
230V/60Hz Version on request



序号 NO.	名称 Name	序号 NO.	名称 Name
1	接头螺母 Tie-in Nut	19	泵盖 Pump Cover
2	接头 Tie	20	六角头螺钉 Hexagon screw
3	O形圈 O-Ring	21	过渡前端 Transition front
4	泵壳 Pump Casing	22	平垫圈 Washer
5	滤盖 Filter	23	六角头螺栓 Hexagon bolt
6	O形圈 O-Ring	24	扳手 Handle
7	透视镜 Transparent Cover	25	六角头螺栓 Hexagon bolt
8	扳手 Spanner	26	电机 Motor
9	O形圈 O-Ring	27	胶条 Plastic strips
10	导叶 Guide plate		
11	叶轮活动口环 Impeller activity ring		
12	叶轮螺母 Impeller Nut		
13	弹簧垫圈 Spring washer		
14	O形圈 O-Ring		
15	平键 Flat Key		
16	叶轮 Impeller		
17	机械密封 Mechanical seal		
18	O形圈 O-Ring		

序号 NO.	名称 Name
28	底板 Base
29	六角头螺钉和平垫圈组合件 Combination of hexagon head screw and washer
30	O形圈 O-Ring
31	螺塞 Plug

外形安装尺寸 Overall dimension



型号 Model	外形尺寸 Shape size (mm)									
	直伸出口 smooth outlet			螺纹出口 threaded Outlet			A	H	H1	H2
	L	L1	D	L	L1	D				
AP200/300/400X/700X-V2	262	88.5	φ32	247	73.5	G1/4"	φ138	142	73	105
AP200/300-V1	234	88.5	φ32	219	73.5	G1/4"	φ138	142	73	105
AP400/700/900-V2	276	97	φ32	269	90	G1/4"	φ168	171	87	124
AP400/700/900-V1	249	97	φ32	242	90	G1/4"	φ168	171	87	124

型号 Model	外形尺寸 Shape size (mm)										
	直伸出口 smooth outlet			螺纹出口 threaded Outlet			L1	A	H	H1	H2
	L	L2	D	L	L2	D					
AP200/300/400X/700X-V2	262	54	φ32	247	34.5	G1/4"	36	φ138	151	82	114
AP200/300-V1	234	54	φ32	219	34.5	G1/4"	36	φ138	151	82	114
AP400/700/900-V2	276	50.5	φ32	269	42.5	G1/4"	52.5	φ168	179	95	130
AP400/700/900-V1	249	50.5	φ32	242	42.5	G1/4"	52.5	φ168	179	95	130

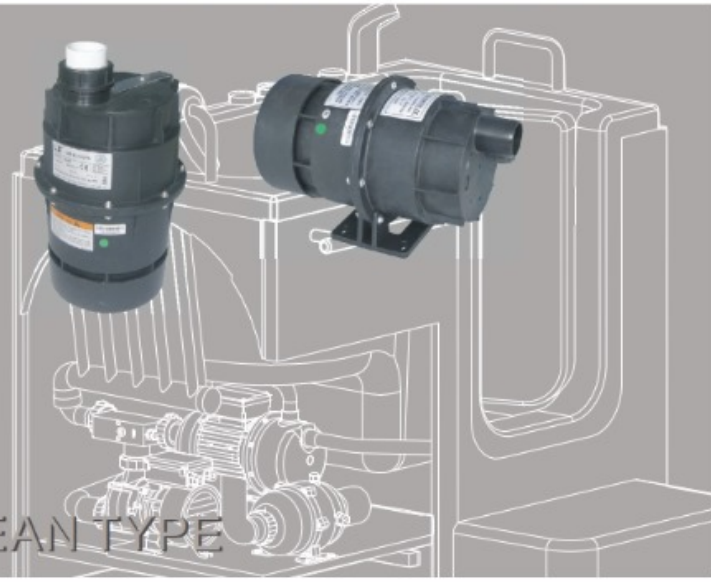
- 注: 1.图中D为螺纹连接方式时, 可配φ32、φ33.5接头。
2.图中D为直伸连接方式时, 可配φ32、φ33.5连接管
1. D in fig.is thread connection that union of φ32 and φ33.5 available
2. D in fig.is direct connection that only φ32 and φ33.5 available.



EN 60335-1
EN 60335-2-60
EN 62233
EN60335-2-80

SAA

AS/NZS 60335.1
AS/NZS 60335.2.60



欧洲款
EUROPEAN TYPE

技术参数列表 Technical parameter list

型号 Model	输入功率 Power W	电流 (Amps)		最大风压 Max Pressure (Mpa)	最大风量 Air volume (m ³ /min)	风泵噪音 Noise Level dB(A)	可配气嘴数 Jets Qty (pc)	建议使用水深 Recommended water depth (m)	毛重 G.W (Kg)	包装尺码 Packing size (mm)
		110-120V	220-240V							
AP200-V2	200	2.0	1.2	0.006	0.8	<63	6~12	0.3	2.0	290×155×175
AP300-V2	300	3.0	1.7	0.009	1.2	<65	8~16	0.4	2.0	290×155×175
AP400X-V2	400	4.0	2.5	0.014	1.5	<69	12~24	0.6	2.0	290×155×175
AP700X-V2	700	7.0	3.3	0.022	1.85	<71	16~32	0.8	2.0	290×155×175
AP400-V2	400	4.0	2.5	0.014	1.65	<68	12~24	0.6	2.8	300×190×215
AP700-V2	700	7.0	3.3	0.018	2.0	<70	16~32	0.8	2.8	300×190×215
AP900-V2	900	9.0	4.5	0.025	2.4	<74	20~40	1.0	2.8	300×190×215
AP200-V1	200	2.0	1.2	0.008	1.1	<64	6~12	0.3	1.8	260×155×175
AP300-V1	300	3.0	1.7	0.011	1.3	<66	8~16	0.4	1.8	260×155×175
AP400-V1	400	4.0	2.5	0.015	1.7	<70	12~24	0.6	2.6	275×185×205
AP700-V1	700	7.0	3.3	0.020	2.2	<72	16~32	0.8	2.6	275×185×205
AP900-V1	900	9.0	4.5	0.025	2.4	<76	20~40	1.0	2.6	275×185×205



浴缸水循环
Recirculation of water in Bathtub pump



SPA池水循环
Recirculation of water in SPAequipment

工作条件

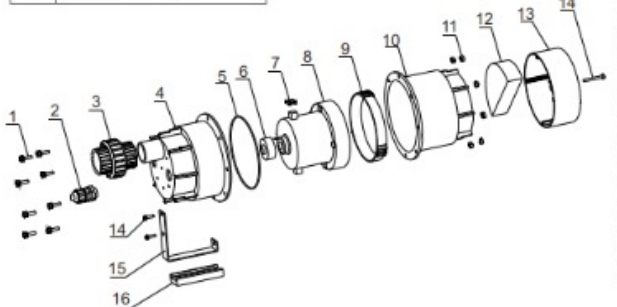
输送介质: 干燥空气
环境温度: <40℃
最大工作压力: 0.1MPa

Working conditions

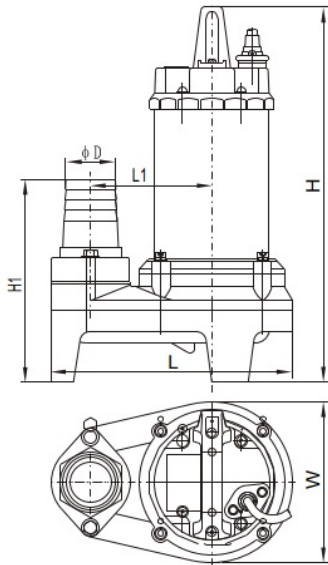
Transmission Medium: Dry air
Environmental temperature: ≤40℃
Max.working pressure: 0.1MPa

序号 NO.	名称 Name
1	十字盘头螺钉组合件 cross raised head screw assembling
2	电缆封头 Cable head
3	接头组件 Union components
4	上壳 Upper part of housing
5	O形圈 O-Ring
6	上壳胶垫 On shell pads
7	熔断器 Fuse
8	电机 Motor
9	下壳胶垫 Pad under the shell
10	下壳 Bottom part of housing
11	六角螺母 Hexagonal Nut
12	进气过滤海绵 Air intake filter sponge
13	气盖 Air cover
14	十字槽盘头自攻螺钉 Cross recessed pan head tapping screws

序号 NO.	名称 Name
15	提手 Handle
16	防震胶垫 Shock pad

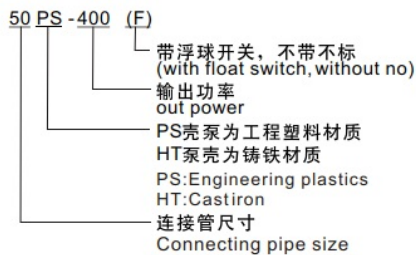


外形安装尺寸 Overall dimension



型号 Model	外形尺寸 Shape size (mm)					
	L	L1	H	H1	W	D
50PS-150(F)	239	120	372	201	160	51(2")
50PS-200(F)	239	120	372	201	160	51(2")
50PS-400(F)	239	120	372	201	160	51(2")
80HT-400(F)	265	126	375	190	185	76(3")
100HT-400(F)	317	150	383	247	210	102(4")

型号说明 Model Explanation



适用范围

- ◆ 清水、海水、污水
- ◆ 用于种植业、林业和渔业方面的供水, 排水、循环水和换水
- ◆ 用于景观鱼池, 造景瀑布, 过滤排水

Application

- ◆ Suitable for clean water, sea water, sewage.
- ◆ Farming, forestry, fishery water supply, circulation, and water changing.
- ◆ Equipment for Gardening, Aquarium, Landscape waterfall, Water drainage and filtration.

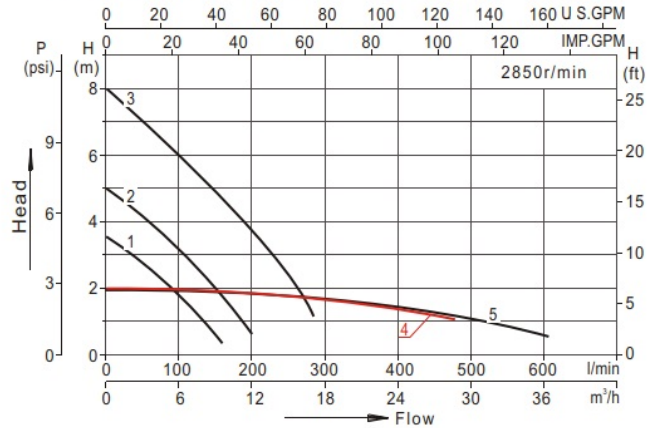
工作条件

介质温度: 0~+40℃
潜水深度: < 5m

Working conditions

Medium temperature: 0~+40℃
Diving depth: <=5m

性能曲线 Performance curves

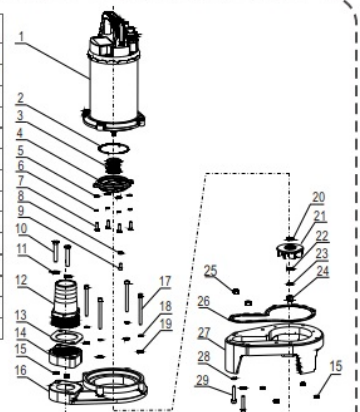


技术参数列表 Technical parameter list

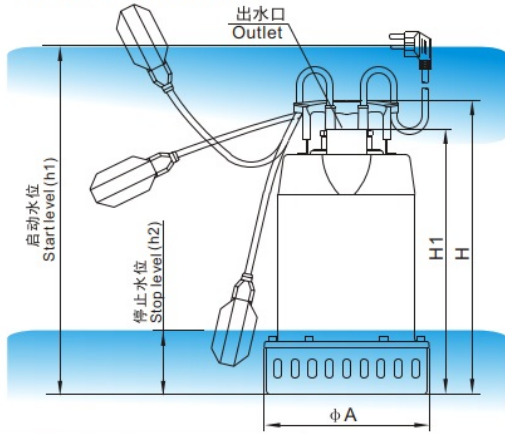
型号 Model	输出功率 Power(P ₂) W	电压/频率 V/Hz	电流 (Amps)	最大扬程 H _{max} (m)	最大流量 Q _{max} (m ³ /h)	曲线 Curve	毛重 G.W (Kg)	包装尺码 Packing size (mm)
50PS-150(F)	150	220/50	1.1	3.5	9.5	1	8.5	400×165×270
50PS-200(F)	200	220/50	1.5	5	12	2	8.5	400×165×270
50PS-400(F)	400	220/50	2.9	8	17	3	9.5	400×165×270
80HT-400(F)	400	220/50	2.9	2	30	4	15	405×210×325
100HT-400(F)	400	220/50	2.9	2	36	5	16.2	415×235×375

序号 NO.	名称 Name
1	电机 Motor
2	O形圈 O-Ring
3	机械密封 Mechanical seal
4	油腔压盖 Oil gland cality
5	平垫圈 Washer
6	弹簧垫圈 Spring washer
7	六角头螺栓 Hexagon bolt
8	注油孔扁形垫圈 pat for oil hole
9	内六角螺钉 Socket hexagon screw
10	六角头螺栓 Hexagon bolt
11	平垫圈 Washer
12	出水接头 water outlet
13	法兰胶垫 flange pad
14	法兰 flange
15	六角螺母 Hexagon bolt

序号 NO.	名称 Name
16	泵壳上壳 Upper part of pump housing
17	内六角螺钉 Socket hexagon screw
18	弹簧垫圈 Spring washer
19	平垫圈 Washer
20	平垫圈 Washer
21	叶轮 Impeller
22	平垫圈 Washer
23	弹簧垫圈 Spring washer
24	盖形螺母 Acorn nut
25	六角螺母 Hexagon bolt
26	泵壳胶垫 Casing cushion
27	泵壳下壳 Bottompart of pump housing
28	平垫圈 Washer
29	内六角螺钉 Socket hexagon screw



外形安装尺寸 Overall dimension



型号 Model	H	H1	h1	h2	A
QCK45M(A)	273	231	340	80	167
QCK55(MA)	360	324	415	80	211
QCK75(MA)	360	324	415	80	211
QCK100(MA)	360	324	415	80	211
QCK150(MA)	375	339	445	80	211
QCK200(MA)	375	339	445	80	211



型号说明 Model Explanation

QCK 55 M A
 A表示装摇摆式浮球开关,B表示垂直式浮球开关
 不配浮球开关无字母
 A:Swing type, B:Vertical type
 (No float switch, no letters)
 表示单相,三相不标识
 Single-phase, three-phase without
 功率 Power(P₁ ÷ 10)W
 小型潜水电泵
 Small submersible pump

特点

- ◆ 开式叶轮, 可通过直径 < 10mm 的固体杂质;
- ◆ 耐高温轴承;
- ◆ 电机采用纯铜线绕组;
- ◆ 不锈钢外壳, 不生锈;
- ◆ 单相电机内置美国德州仪器(TI)过热保护器;
- ◆ 标配10米电缆。

Features

- ◆ Open impeller, suit to < 10mm solid particle.
- ◆ High temperatur bearing.
- ◆ Copper winding.
- ◆ Stainless steel housing, norust.
- ◆ Single phase motor is equipped with USA TI thermal protector.
- ◆ 10 meters cable.

适用范围

- ◆ 清水、污水
- ◆ 用于种植业、林业和渔业方面的供水、排水、循环水和换水
- ◆ 用于景观鱼池、造景瀑布、过滤排水

Application

- ◆ Suitable for clean water, sewage.
- ◆ Farming, forestry, fishery water supply, circulation, and water changing
- ◆ Equipment for Gardening, Aquarium, Landscape waterfall, Water drainage and filtration

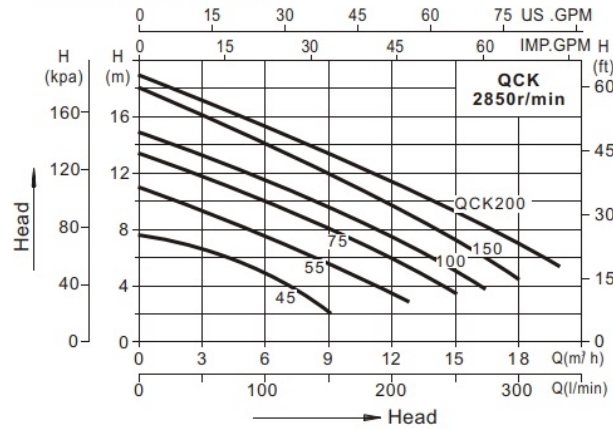
工作条件

介质温度: 0~+50℃
 潜水深度: < 5m

Working conditions

Medium temperature: 0~+50℃
 Diving depth : < 5m

性能曲线 Performance curves



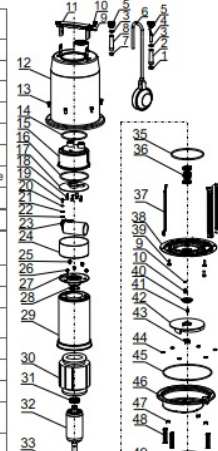
双端面机封
Double shaft seal

※ 电泵配浮球开关, 实现电泵自动液位控制。
 electric pump with float switch for liquid level control.

技术参数列表 Technical parameter list

型号 Model	输出功率 Power(P ₂) KW	电流 (Amps)		最大扬程 Hmax (m)	最大流量 Qmax (m³/h)	出水口 Outlet	毛重 G.W (Kg)	包装尺码 Packing size (mm)
		220V/50Hz	380V/50Hz					
QCK45M(A)	0.25	1.9	-	7.5	9	G1 or G1.25	5.5	210×185×320
QCK55(MA)	0.37	2.6	1.1	11	13	G1.5	9.6	420×260×300
QCK75(MA)	0.55	3.8	1.4	13.5	15	G1.5	9.8	420×260×300
QCK100(MA)	0.75	5.2	1.8	15	16.5	G1.5	10.5	420×260×300
QCK150(MA)	1.1	7.0	2.6	18	18	G1.5	12	420×260×300
QCK200(MA)	1.5	9.2	3.5	19	20	G1.5	13	420×260×300

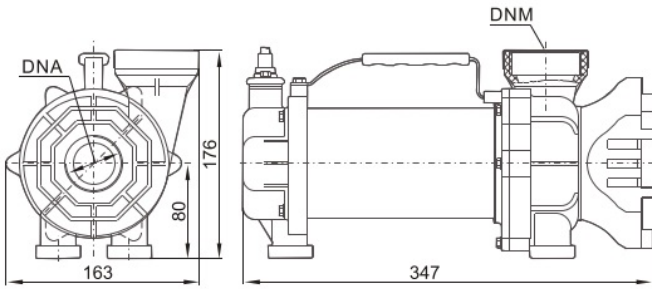
序号 NO.	名称 Name
1	电缆固定夹 The fixed clip of Cable
2	电缆封头 Cable head
3	电缆压紧垫圈 Cable clamp
4	电缆 Cable
5	压紧螺母 Press nut
6	浮球开关 Float switch
7	电缆固定夹 The fixed clip of Cable
8	电缆封头 Cable head
9	O形圈 O-ring
10	十字槽盘头螺钉 Cross recessed pan head screws
11	提手 Handle
12	外筒组件 Housing assembly
13	内六角圆柱头螺钉 Hexagon socket head cap screw
14	O形圈 O-ring
15	电容罩 Capacitor cover
16	O形圈 O-ring
17	接线盒上盒 Upper part of terminal box
18	闭压端子 Terminal



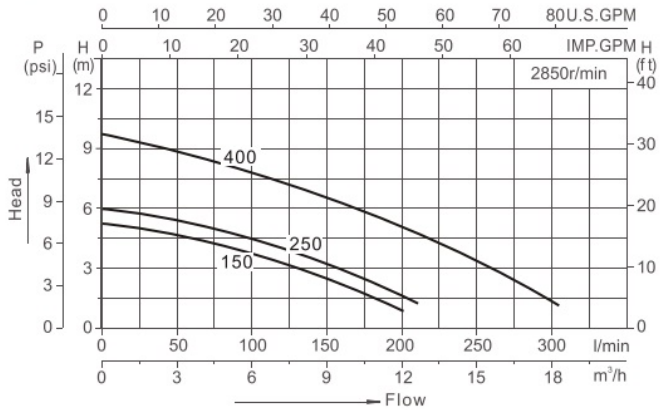
序号 NO.	名称 Name
19	十字槽盘头螺钉 Cross recessed pan head screws
20	弹簧垫圈 Spring washer
21	平垫圈 Washer
22	外锯齿锁紧垫圈 Serrated lock washer external teeth
23	电容 Capacitor
24	接线盒下盒 Bottom part of terminal box
25	十字槽盘头螺钉和平垫圈组合 Cross recessed pan head screw and washer assemble
26	十字槽盘头螺钉 Cross recessed pan head screws
27	后盖 Back Cover
28	三波峰 The three wave
29	机座 Motor base
30	定子总成 Stator assembling
31	轴承 Bearing
32	转子总成 Rotor assembling
33	轴承 Bearing
34	前端盖 Front Cover
35	O形圈 O-ring

序号 NO.	名称 Name
36	机械密封 Mechanical Seal
37	拉杆 Tension rod
38	泵盖 Pump Casing
39	十字槽盘头螺钉 Cross recessed pan head screws
40	防护盖 Protective cover
41	平键 Key
42	叶轮 Impeller
43	六角头螺母 Hexagon Nut
44	垫圈 Washer
45	O形圈 O-ring
46	泵壳 Pump casing
47	六角头螺母 Hexagon Nut
48	底座连接块 Base connection block
49	底座 Base
50	十字槽盘头螺钉 Cross recessed pan head screws

外形安装尺寸 Overall dimension



性能曲线 Performance curves



型号说明 Model Explanation

SOL-150
 输出功率 (P2x1000)kW
 out power
 卧式潜水泵
 Horizontal submersible pump

特点

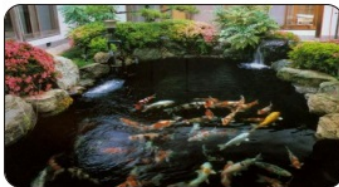
- ◆ 开式叶轮，可通过直径 < 20mm 的固体杂质；
- ◆ 双端面机械密封，确保电泵运行可靠；
- ◆ 耐高温轴承；
- ◆ 电机采用纯铜线绕组；
- ◆ 不锈钢外壳；
- ◆ 单相电机内置美国德州仪器(TI)过热保护器

Features

- ◆ Open impeller, suit to < 10mm solid particle.
- ◆ Double shaft seal.
- ◆ High temperatur bearing.
- ◆ Copper winding.
- ◆ Stainless steel housing.
- ◆ Single phase motor is equipped with USA TI thermal protector.



景观喷泉
Land scape fountains



景观鱼池
Landscape fish pond

技术参数列表 Technical parameter list

型号 Model	输出功率 Power(P2) kW	电流 (Amps) 220V/50Hz	额定扬程 Rated head (m)	额定流量 Rated flow (m³/h)	DNA	DNM	毛重 G.W (Kg)	包装尺码 Packing size (mm)
SOL-150	0.15	1.6	4	5	G1½	G2	7	375×190×230
SOL-250	0.25	2.4	4	7	G1½	G2	7.5	375×190×230
SOL-400	0.4	2.9	6	10	G1½	G2	8	375×190×230

工作条件

介质温度: 0~+40℃
 潜水深度: < 5m

Working conditions

Medium temperature: 0~+40℃
 Diving depth : ≤5m

序号 NO.	名称 Name
1	底座 Base
2	泵体 Pump body
3	O形圈 O-Ring
4	六角头螺栓 Hexagon bolt
5	垫圈 Washer
6	叶轮 Impeller
7	平垫圈 Washer
8	骨架密封 Framework seal
9	机械密封 Mechanical Seal
10	平垫圈 Washer
11	六角头螺栓 Hexagon bolt
12	电机 Motor
13	防护胶垫 Shock pad

