



**NINGBO SPLASH  
POOL APPLIANCE CO.,LTD.**

**ADD:**  
No.158 Wangxing Road, Gulin 315176,  
Haishu, Ningbo, Zhejiang, P.R.C

Tel : +86-574-88001888  
Fax: +86-574-88058687  
E-mail: sales@splashpoolappliance.com

[www.splashpoolappliance.com](http://www.splashpoolappliance.com)



2021 PRODUCT CATALOG

POOL EQUIPMENTS

[www.splashpoolappliance.com](http://www.splashpoolappliance.com)

2021 PRODUCT CATALOG

# POOL EQUIPMENTS

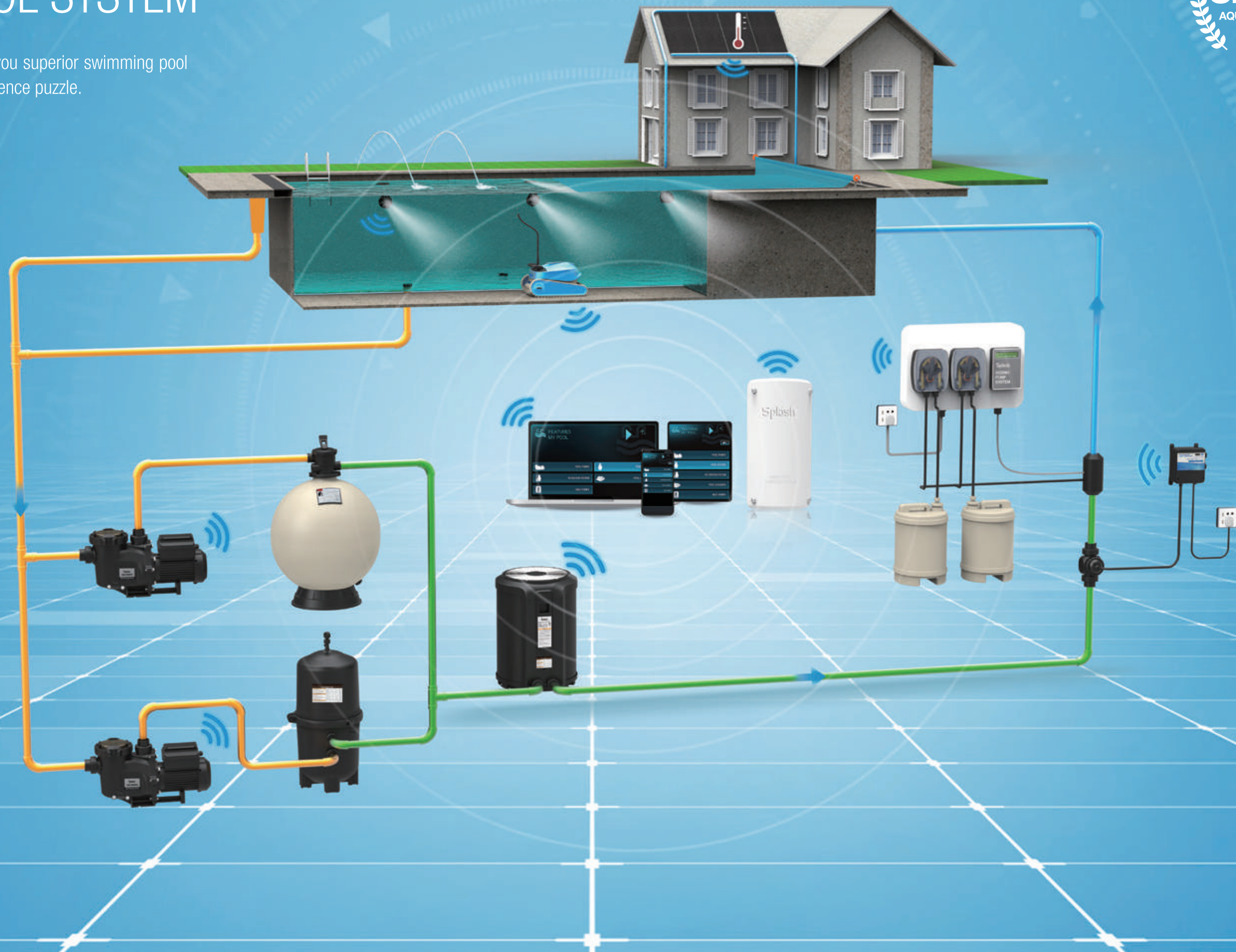
[www.splashpoolappliance.com](http://www.splashpoolappliance.com)





# SPLASH INTELLIGENT<sup>+</sup> CONTROL SYSTEM

The right piece for you superior swimming pool management experience puzzle.


















# POOL EQUIPMENTS

[www.splashpoolappliance.com](http://www.splashpoolappliance.com)



# CONTENTS

	<b>POOL PUMPS</b>	P005-P058
	<b>POOL FILTERS</b>	P059-P076
	<b>FILTRATION SYSTEMS</b>	P077-P096
	<b>POOL CLEANERS</b>	P097-P108
	<b>HEAT PUMPS</b>	P109-P115
	<b>POOL LADDERS</b>	P116-P125
	<b>SANITIZATION</b>	P126-P131
	<b>SOLAR SHOWERS</b>	P132-P141
	<b>SOLAR HEATERS</b>	P142-P147
	<b>POOL LIGHTS</b>	P148-P152
	<b>LEISURE PRODUCTS</b>	P153-P154



# COMPANY PROFILE

## YOUR IDEAL POOL EQUIPMENTS SUPPLIER +

Founded in 2005, NINGBO SPLASH POOL APPLIANCE CO., LTD. together with the own aquatic equipments brand SPLASH® enjoys a well-known reputation in the manufacturing of cutting-edge swimming pool products and is among the very few such manufacturers who are able to provide a complete line of technologically advanced pumps, filters, heaters, robotic cleaners, lighting, solar panels, and salt chlorine generators etc.

As a technology-driven company, Splash now has over 60 senior technical engineers whom have dedicated to pool products for decades and hold over 46 patents in various swimming pool products. With 16 years of rapid development, Splash now has established two production bases consist of 6 remarkable workshops with total production area more than 100,000 square meters. All these strengths have elevated company's self-productivities to over 95%.



Since the establishment, Splash has always adhered to normative, standardized and scientific management concepts. The company has passed ISO9001, ISO14000, ISO18000 certifications, BSCI, as well as global market access certifications like CE, CCC, ETL, SAA, GS

Serving our customers is more than just a slogan. Our passion for manufacturing the best pool products has maintained our products always be unique in the market place, relevant to our customers' lifestyles.

Splash, the smart pool equipment provider that you can count on.

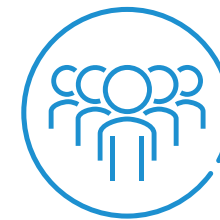




# R&D AND INNOVATION

## LEADING TECHNOLOGY + INDIGENOUS INNOVATION

Since 2012, the company has invested 6% of annual turnover in the R&D departments. Currently Splash holds over 46 patents in various swimming pool products, and has become one of few Chinese pump manufacturers who is capable of manufacturing pumps enjoy the American energy efficiency compensation/premium.



### PROFESSIONAL TEAM

Splash is a technology-driven company. We have over 60 senior technical engineers who have dedicated to pool products for decades.



### PRODUCTION

Splash now has established two production bases, with total production area more than 100,000 square meters. All these strengths have elevated company's self-productivities to over 95%.



### QUALITY CONTROL

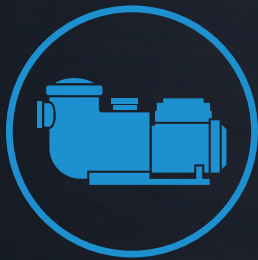
The company has passed ISO9001, ISO14000, ISO18000 certifications, as well as global market access certifications like CE, CCC, ETL, SAA, GS, etc.





# THE HASSLE-FREE PUMPS YOU ARE LOOKING FOR

Energy Saving /Easier O&M  
Quieter Operation/Superior Quality



Splash has the complete lineup of pool pumps , assuring you will have the perfect right pump for your pool. From both residential and commercial single-speed pumps, as well as dual-speed/voltage pumps to energy-efficient variable-speed pumps, all offering hassle-free and powerful performance.



# ULTRA-FLO<sup>®</sup>-VS PUMP

This variable speed pump is designed to operate your swimming pool filtration system as well as your SPA, waterfall, cleaner, heater, salt chlorine system and other water application. Using the control panel, you can run your pump on one of three scheduled programs.



Energy Saving



Quieter Operation



Cost-effective



Heavy Duty



Easy Operation and Maintenance



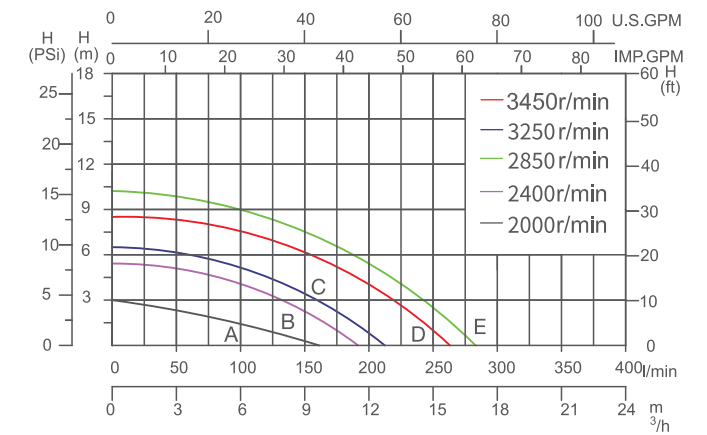
## FEATURED HIGHLIGHTS

- Drop-in replacement for well-known brand pumps
- Ability to program exact pump speeds for specific operations – filtering, heating, cleaning, spa jets, water features and more – minimize energy costs.
- Safety lock-out feature prevents pump speed settings from being changed by unauthorized personnel.
- Oversized debris basket has extra leaf holding capacity for less frequent maintenance.
- Easier operation comparing with existing models, run under pre-programmed conditions: ECO/CLEAN/BOOST
- Built-in diagnostics protect the pump from the most common causes of failure – freezing and voltage irregularities.
- Permanent magnet motor provides extremely high efficient and reliability.
- Balanced hydraulics pump design, operates quietly, especially at energy-saving lower speeds.

## ORDER GUIDE

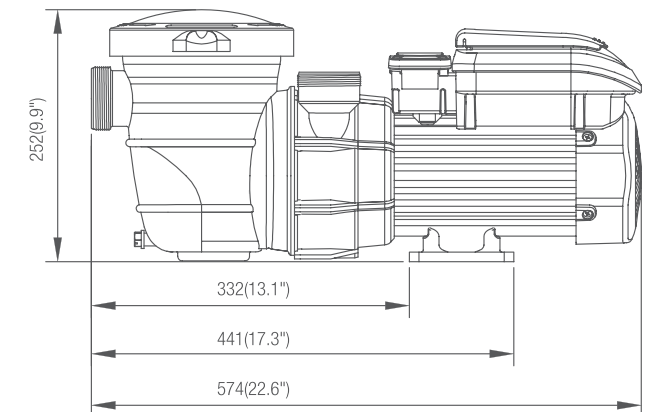
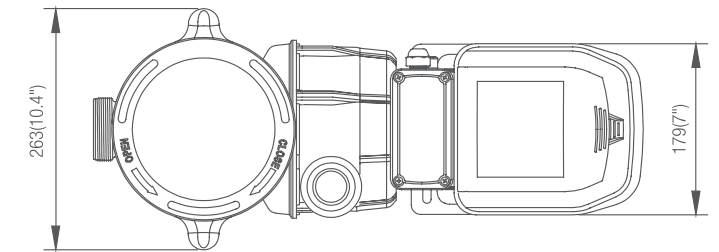
MODEL NUMBER	VOLTAGE	HERTZ	FULL LOAD AMPS	FLOWRATE GPM(M <sup>3</sup> /H)	OUTPUT POWER HP	PORT SIZE INCH	NET WEIGHT LBS(KGS)
72526	230	50/60	0.38-2.83	81(18.4)	1.5	1.5	9.2(20.3)
	115		0.78-5.65				

## PERFORMANCE CURVES



## DIMENSIONS

Units: MM (IN)





# IGUAZU®-4 VS PUMPS

Variable-speed pumps are the ultimate way to save energy while enjoying your pool. Most other variable speed models, however, are oversized when compared to medium-head pumps. This series is right-sized, particularly for applications with 2" plumbing, providing tremendous energy savings that result in an even faster return on your investment.



Energy Saving



Quieter Operation



Cost-effective



Heavy Duty



Easy Operation and Maintenance

HOUSING+MOTOR COLOR OPTIONS:



BLACK / BEIGE + SILVER



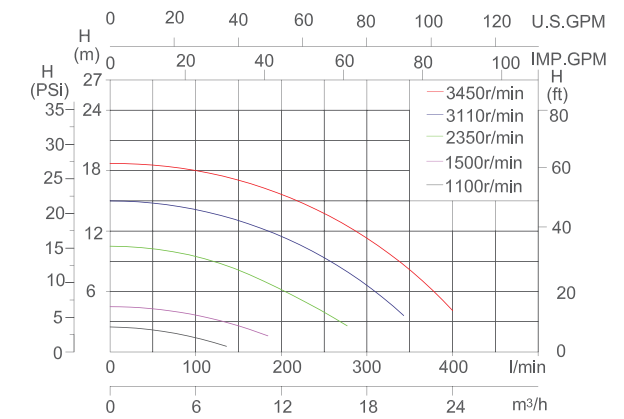
## FEATURED HIGHLIGHTS

- Ability to program exact pump speeds for specific operations – filtering, heating, cleaning, spa jets, water features and more – minimize energy costs.
- 8 speed settings and on-board scheduling LCD screen with keypad for easy programming (1000rpm to 3450rpm).
- Safety lock-out feature prevents pump speed settings from being changed by unauthorized personnel.
- Built-in diagnostics protect the pump from the most common causes of failure – freezing and voltage irregularities.
- Permanent magnet motor provides extremely high efficient and reliability.
- Balanced hydraulics pump design, operates quietly, especially at energy-saving lower speeds.
- Check valve prevents the back flow of the water which secures a superior priming effect
- Dual drain plugs design makes an easier maintenance

## ORDER GUIDE

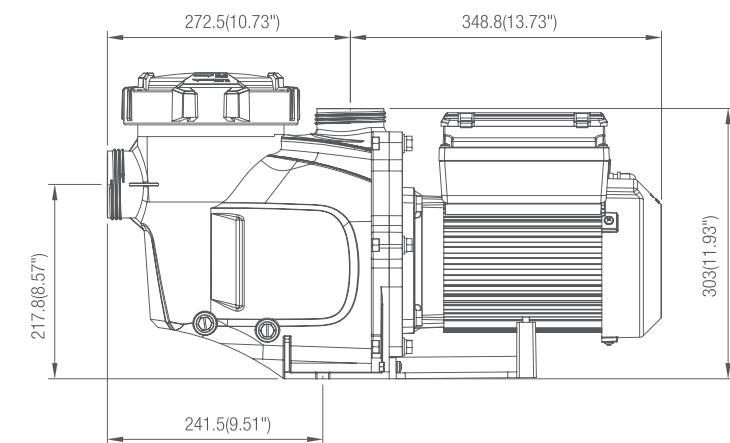
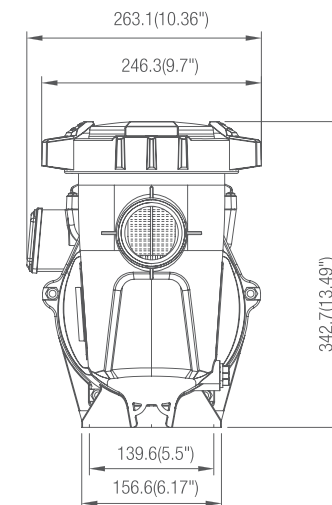
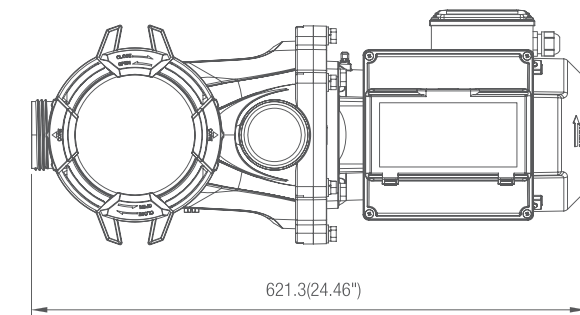
MODEL NUMBER	VOLTAGE	HERTZ	FULL LOAD AMPS	FLOWRATE GPM(M <sup>3</sup> /H)	OUTPUT POWER HP	PORT SIZE INCH	NET WT. LBS(KGS)
72524	230	50/60	0.4-5.6	97(22)	1.5	2	33.9(15.5)
72531	230	50/60	0.5-10	136(31)	3	2	41.3(18.6)

## PERFORMANCE CURVES



## DIMENSIONS

Units: MM (IN)





# IGUAZU®-3 VS PUMPS

This variable speed pump is designed to operate your swimming pool filtration system as well as your SPA, waterfall, cleaner, heater, salt chlorine system and other water application. Using the control panel, you can run your pump on one of three scheduled programs.



Energy Saving



Quieter Operation



Cost-effective



Easier Set up



Easy Operation and Maintenance



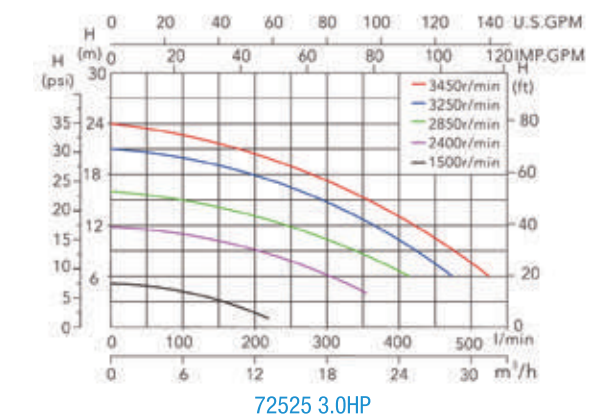
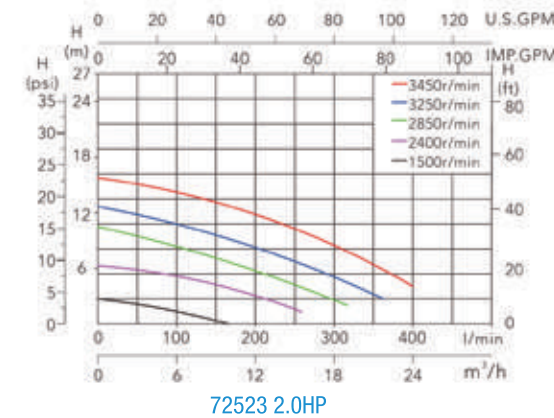
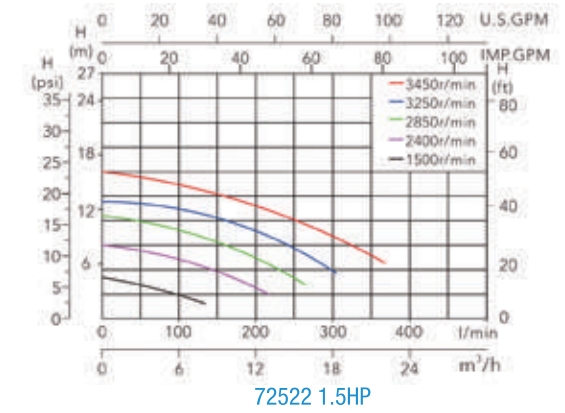
## FEATURED HIGHLIGHTS

- Drop-in replacement for well-known big brand pumps
- Exclusive swing-away hand knobs makes for easier strainer cover removal: no tools required, no loose parts and no clamps
- Oversized debris basket has extra leaf holding capacity for less frequent maintenance.
- Easier operation comparing with existing models, run under pre-programmed conditions: ECO/CLEAN/BOOST

## ORDER GUIDE

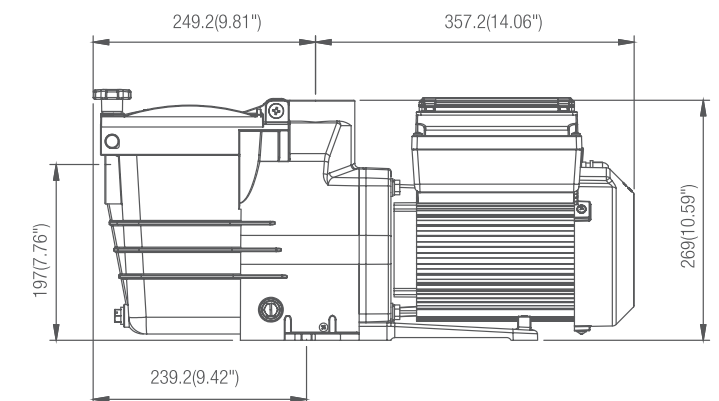
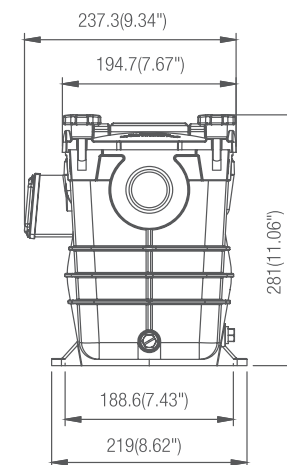
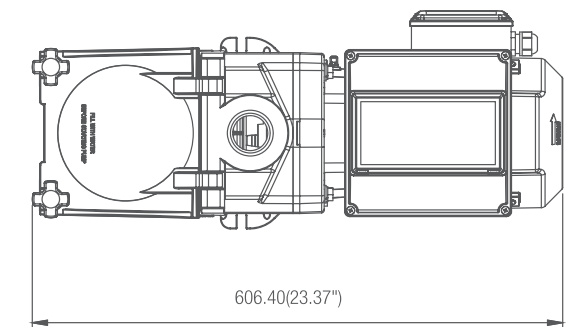
MODEL NUMBER	VOLTAGE	HERTZ	FULL LOAD AMPS	FLOWRATE GPM(M <sup>3</sup> /H)	OUTPUT POWER HP	PORT SIZE INCH	NET WT. LBS(KGS)
72522	230	50/60	0.4-5.6	97(22)	1.5	1.5	32.8(15)
72523	230	50/60	0.4-5.6	105(24)	1.5	2	33.4(15)
72525	230	50/60	0.5-10	136(31)	3	2	36.2(16)
72522001	230	50/60	0.4-5.6	97(22)	1.5	1.5	32.8(15)
	115		0.9-11.5				

## PERFORMANCE CURVES



## DIMENSIONS

Units: MM (IN)





# SIMPFLO<sup>®</sup>-VS PUMPS

This variable speed pump is designed to operate your swimming pool filtration system as well as your SPA, waterfall, cleaner, heater, salt chlorine system and other water application. Using the control panel, you can run your pump on one of three scheduled programs.



Energy Saving



Quieter Operation



Cost-effective



Heavy Duty



Easy Operation and Maintenance



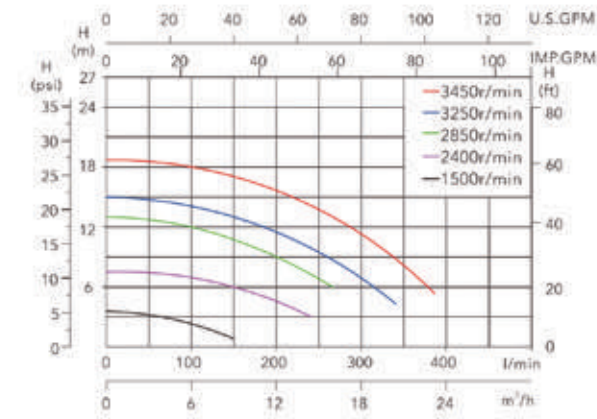
## FEATURED HIGHLIGHTS

- Drop-in replacement for well-known big brand pumps
- Safety lock-out feature prevents pump speed settings from being changed by unauthorized personnel.
- Oversized debris basket has extra leaf holding capacity for less frequent maintenance.
- Easier operation comparing with existing models, run under pre-programmed conditions: ECO/CLEAN/BOOST

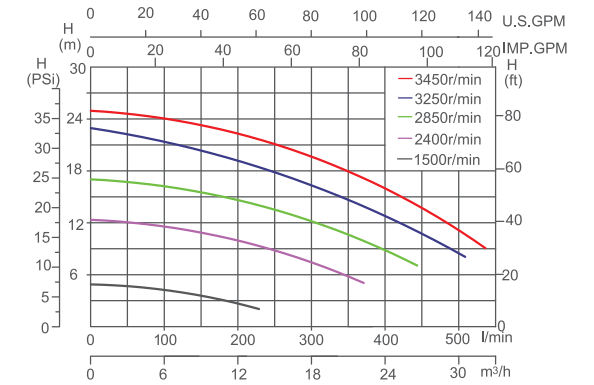
## ORDER GUIDE

MODEL NUMBER	VOLTAGE	HERTZ	FULL LOAD AMPS	FLOWRATE GPM(M <sup>3</sup> /H)	OUTPUT POWER HP	PORT SIZE INCH	NET WEIGHT LBS(KGS)
72559	230	50/60	0.4-5.6	98(22.4)	1.5	2	33.9(15.3)
72561	230	50/60	0.5-10	146(33.2)	3	2	41.3(18.6)

## PERFORMANCE CURVES



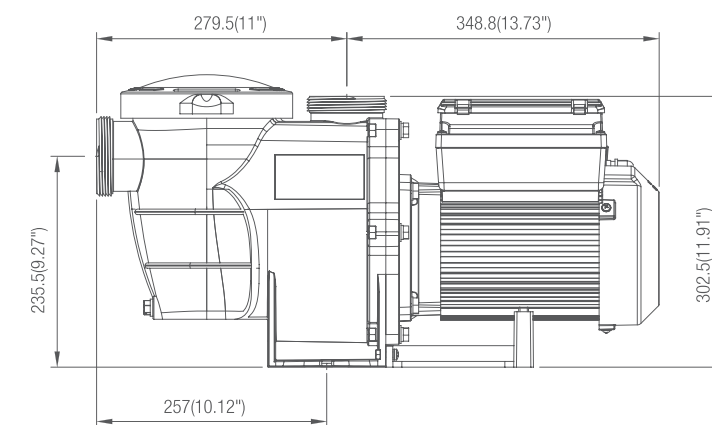
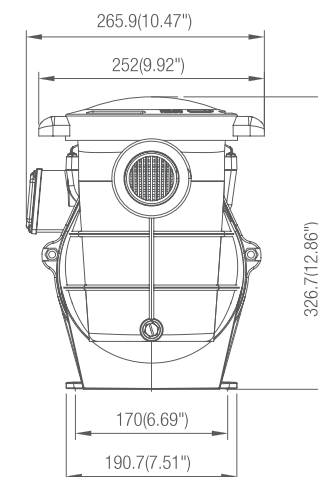
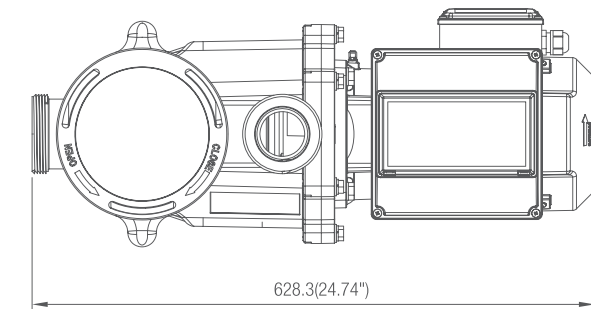
72559 1.5HP



72561 3.0HP

## DIMENSIONS

Units: MM (IN)





# VARIABLE SPEED PUMPS

Variable-speed pumps are the ultimate way to save energy while enjoying your pool. Most other variable speed models, however, are oversized when compared to medium-head pumps. This series is right-sized, particularly for applications with 2" plumbing, providing tremendous energy savings that result in an even faster return on your investment.



**SIMPFLO®-VS 72553  
72558**



Energy Saving



Quieter Operation



Cost-effective



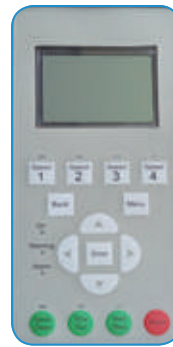
Heavy Duty



Easy Operation and Maintenance

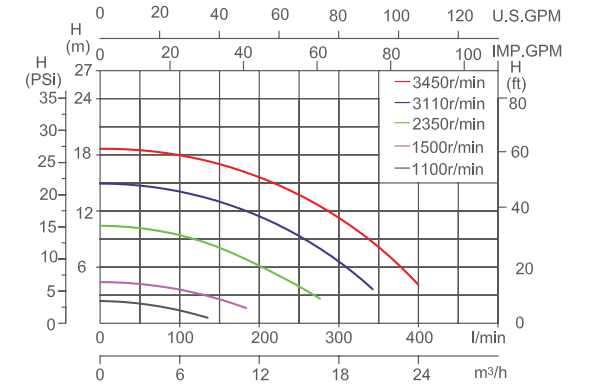


**FLYFLO®-VS 72554  
72555  
72556**

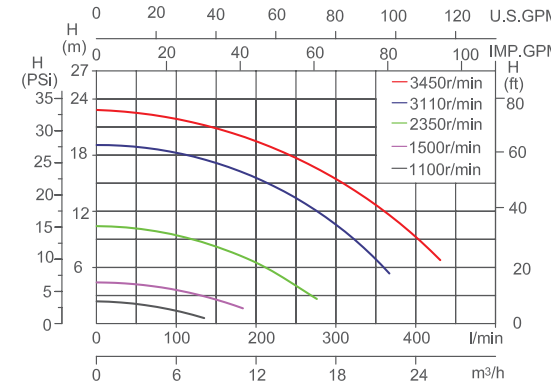


## PERFORMANCE CURVES AND DIMENSIONS

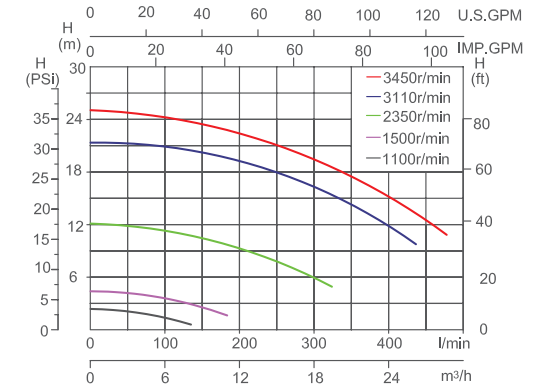
Units: MM (IN)



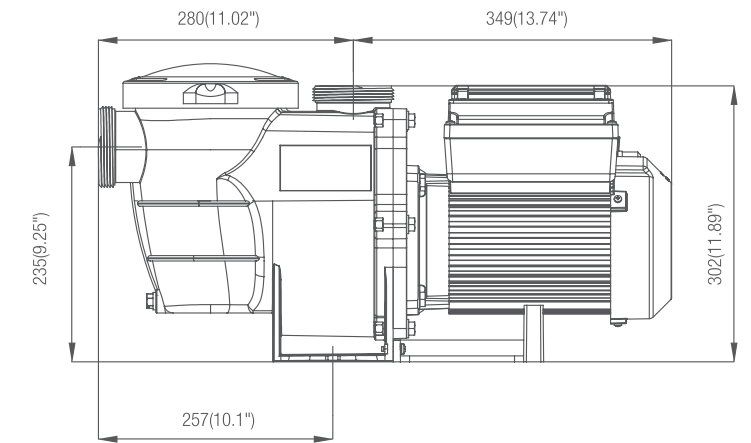
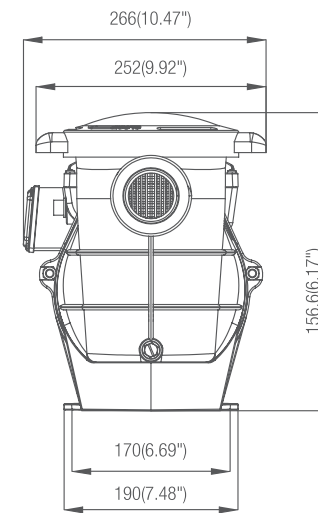
**72553 72554 1.5HP**



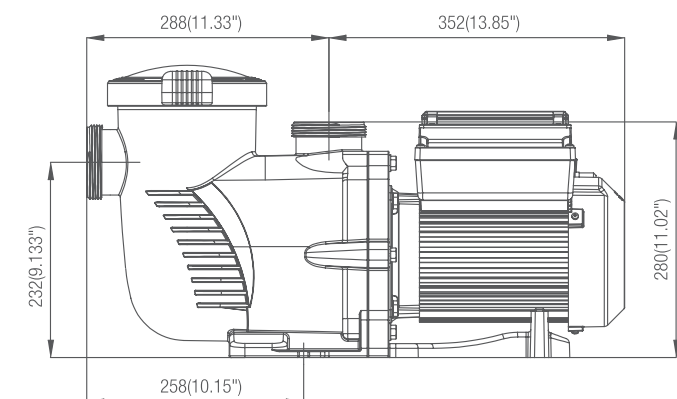
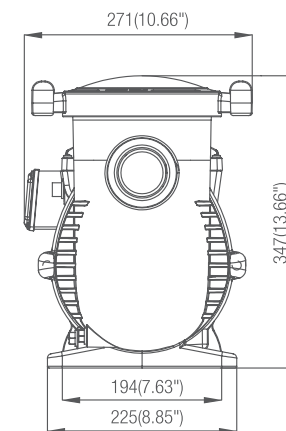
**72555 2.0HP**



**72556 72558 3.0HP**



**72553  
72558**



**72554  
72555  
72556**

### FEATURED HIGHLIGHTS

- Ability to program exact pump speeds for specific operations – filtering, heating, cleaning, spa jets, water features and more – minimize energy costs.
- 8 speed settings and on-board scheduling LCD screen with keypad for easy programming (750rpm to 3450rpm).
- Safety lock-out feature prevents pump speed settings from being changed by unauthorized personnel.
- Built-in diagnostics protect the pump from the most common causes of failure – freezing and voltage irregularities.
- Permanent magnet motor provides extremely high efficient and reliability.
- Balanced hydraulics pump design, operates quietly, especially at energy-saving lower speeds.
- Fully factory test.

### ORDER GUIDE

MODEL NUMBER	VOLTAGE	HERTZ	FULL LOAD AMPS	FLOWRATE GPM(M³/H)	OUTPUT POWER HP	PORT SIZE INCH	NET WT. LBS(KGS)
72553	230	50/60	0.4-5.5	98(22.4)	1.5	2	30.2(13.6)
72558	230	50/60	0.4-10.6	152(34.5)	3	2	37.7(17.0)
72554	230	50/60	0.4-5.5	95.5(21.2)	1.5	2	32(14.4)
72555	230	50/60	0.4-7.1	112(25.5)	2	2	34.2(15.4)
72556	230	50/60	0.4-10.6	137(31.2)	3	2	39.4(17.7)



# DUAL SPEED PUMP

It is designed for today's increasing energy saving requirements. Tests prove that running in low speed can save pool owners up to 75% on energy costs compared to ordinary single speed pump. Dual-speed pump can match pump flow to a pool's needs, versus running at full power 100% of the time. Integrated controllers is programmable with a self-contained 24-hour clock to manage flow throughout the day.



**ULTRA-FLO®-E2  
72532C**



Energy Saving



Cost-effective



Heavy Duty



Easy Operation and Maintenance



**SIMPFLO®-E2  
72533C**



**HAMFLO®-E2  
72534C**



## FEATURED HIGHLIGHTS

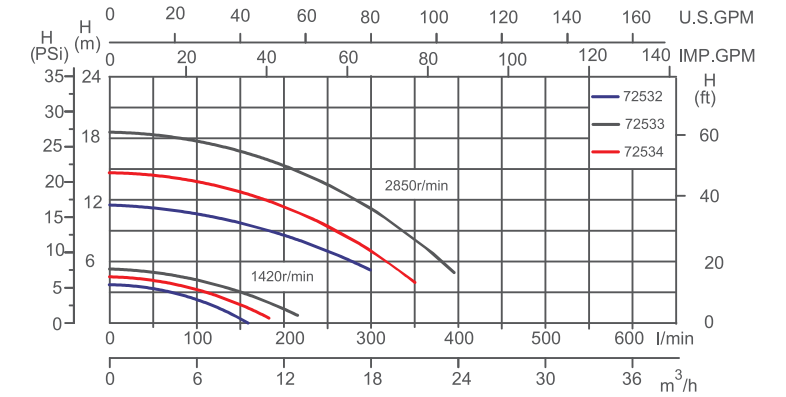
- 2850RPM for high speed and 1420RPM for low speed, use intelligent controller to program the filtration
- Use the most cost saving pump to achieve energy consumption reducing
- Quiet by design
- Fully programmable, self-contained 24-hour time clock with high speed running time and low speed running time
- No additional controllers or time clock needed
- Extra leaf-holding capacity basket extends time between cleanings
- Includes digital control
- CE certified, fully factory test

## ORDER GUIDE

Energy Efficient Dual Speed Full Rated-CE

MODEL NUMBER	MOTOR MODEL	VOLTAGE	HERTZ	FULL LOAD AMPS	FLOWRATE M <sup>3</sup> /H	OUTPUT POWER HP	PORT SIZE INCH	NET WEIGHT KGS	CURVE KEY
72532C	6417	220-240	50	4.7/1.9	17.7/9.78	1.5	1.5	13.1	I/G
72533C	6418	220-240	50	5.9/2	24.5/12.3	1.5	2	15.1	J/H
72534C	6417	220-240	50	5.2/2	22/11.5	1.5	1.5	13.4	I/G

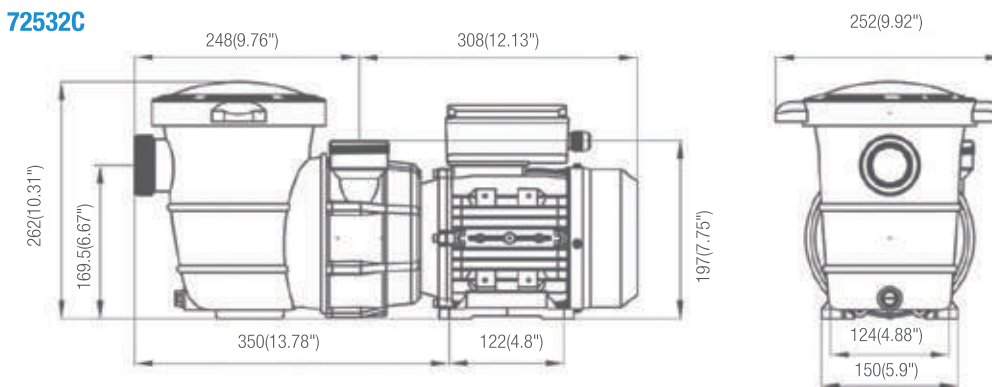
## PERFORMANCE CURVES



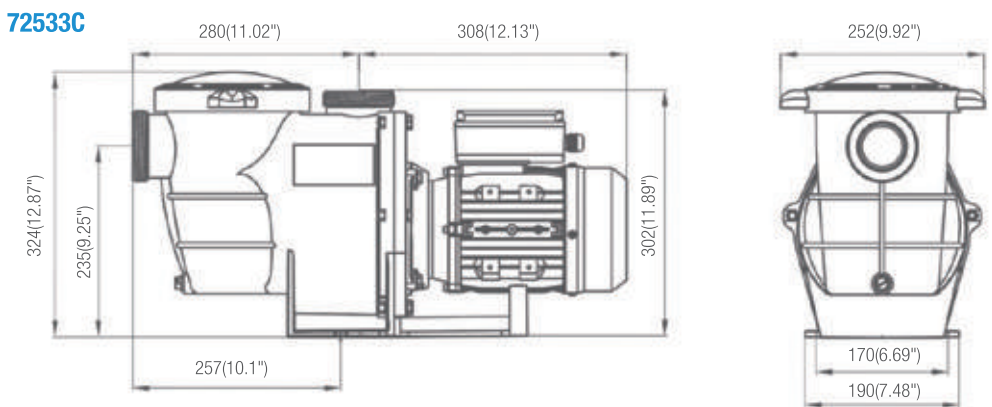
## DIMENSIONS

Units: MM (IN)

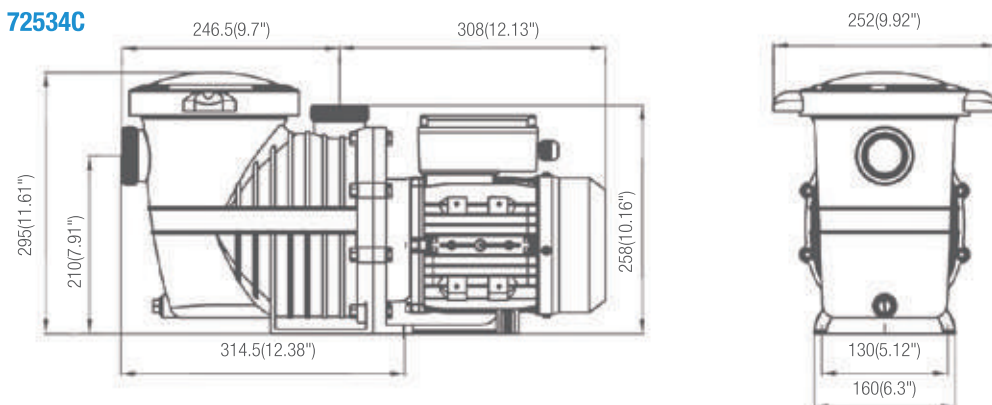
**72532C**



**72533C**



**72534C**





# ULTRA-FLO<sup>®</sup>-E1 PUMP

This series of pump has been engineered as a uniquely superior above-ground pool pump. The self-priming pool pump range offers commercial pool pump quality for residential pools, to ensure durability, superior performance and quiet operation. Our pump continues to set standards for the future by using 100% recyclable plastic which is environmentally friendly.



Energy Saving



Quieter Operation



Cost-effective



Heavy Duty



## FEATURED HIGHLIGHTS

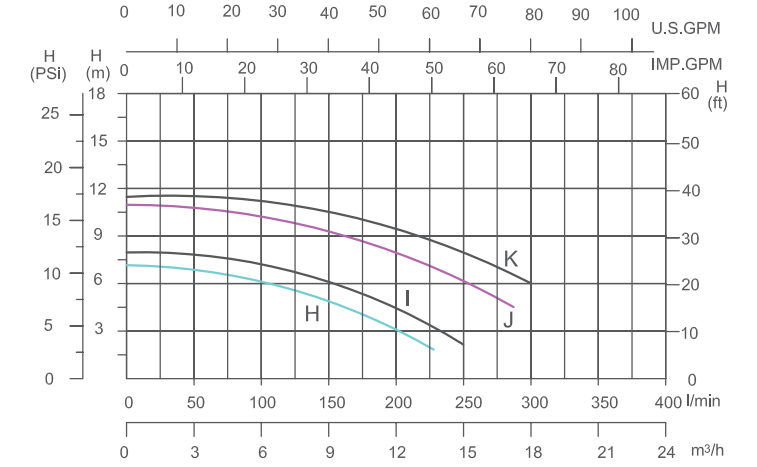
- Durable, corrosion-proof housing for dependable service and all-weather performance
- Heavy-duty, high performance motor with integrated automatic thermal overload protector
- See-through lid makes inspection fast and easy-engineered polymer remains clear and strong. Besides lid is easy to remove and quickly locks in place with a quarter-turn
- Massive strainer basket for large debris collection with minimal maintenance Integral drain plug for easy winterization of pump
- American design mechanical seal using carbon to ceramic sealing surfaces

## ORDER GUIDE

Energy Efficient Single Speed Full Rated-CE

MODEL NUMBER	MOTOR MODEL	VOLTAGE	HERTZ	FULL LOAD AMPS	FLOWRATE M <sup>3</sup> /H	OUTPUT POWER HP	PORT SIZE INCH	NET WEIGHT KGS	CURVE KEY
72527	6403	220-240	50	2.5	14.4	0.5	1.5	8.5	H
72528	6404	220-240	50	2.6	15.9	0.75	1.5	9.7	I
72529	6405	220-240	50	4.5	16.8	1	1.5	11.5	J
72530	6406	220-240	50	5	17.8	1.5	1.5	13.1	K

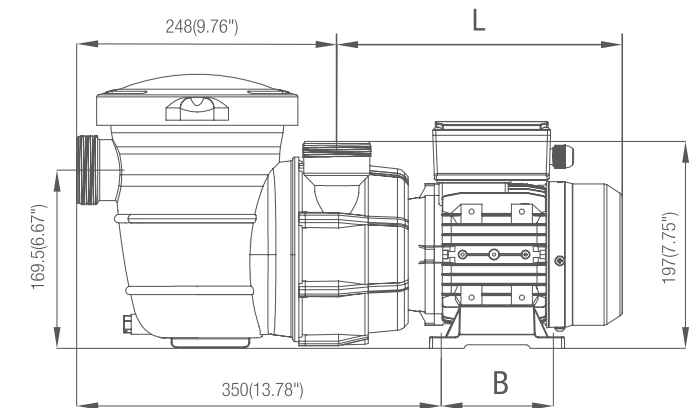
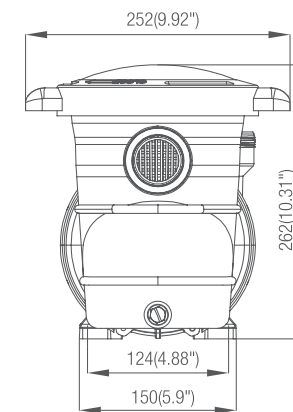
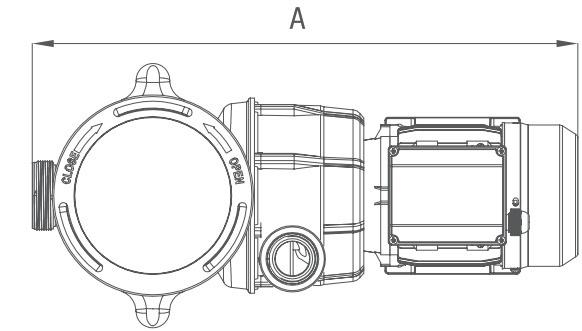
## PERFORMANCE CURVES



## DIMENSIONS

Units: MM (IN)

MODEL	L	A	B
72527	272(10.7")	520(20.47")	102(4")
72528	272(10.7")	520(20.47")	102(4")
72529	307(12.08")	555(21.85")	122(4.8")
72530	307(12.08")	555(21.85")	122(4.8")





# HAMFLO®-E PUMPS

Designed for today's most demanding installations. The medium head pump has been engineered for durability and quiet performance with economy in mind. This all-around, self-priming pump with large pump basket is ideally suited for all above-ground, on-ground and small in-ground pools. Exclusive features such as high efficiency motor, 100% recyclable "environment friendly" plastics, and carbon to ceramic sealing surfaces design will make medium head pump the leading pump choice of all pool professionals.



Energy Saving



Quieter Operation



Cost-effective



Heavy Duty



Easy Operation and Maintenance



## FEATURED HIGHLIGHTS

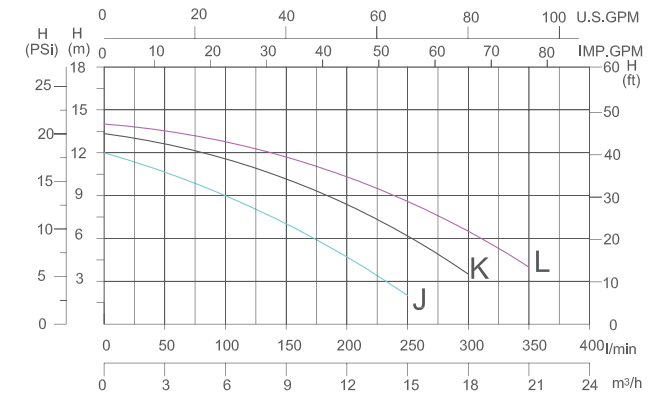
- Rugged, one-piece strainer housing molded of corrosion-proof reinforced thermoplastic for extra durability and long life
- Exclusive, high-performance motor design for quieter, cooler and more energy efficient operation
- Specially constructed clear lid with locking ring design is easy to open. Large strainer basket is always locked in place
- American design mechanical seal using carbon to ceramic sealing surfaces
- Self-priming 8 feet
- Fully factory tested

## ORDER GUIDE

Energy Efficient Single Speed Full Rated-CE

MODEL NUMBER	MOTOR MODEL	VOLTAGE	HERTZ	FULL LOAD AMPS	FLOWRATE M <sup>3</sup> /H	OUTPUT POWER HP	PORT SIZE INCH	NET WT. KGS	CURVE KEY
72542	6404	220-240	50	3.5	15	0.75	1.5	9.8	J
72543	6405	220-240	50	4.5	18	1	1.5	11.8	K
72544	6406	220-240	50	6.4	21.6	1.5	1.5	13.4	L

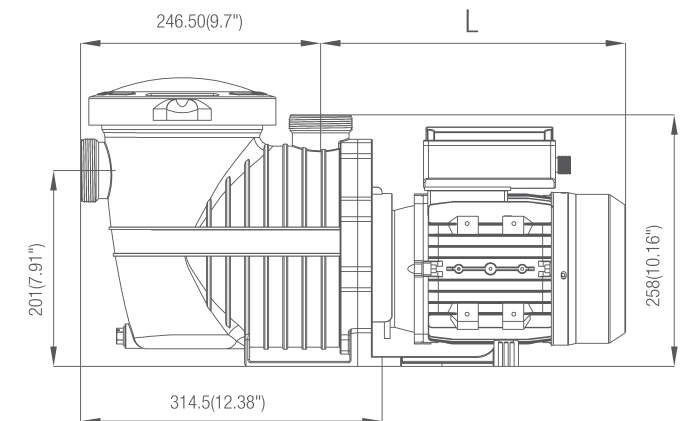
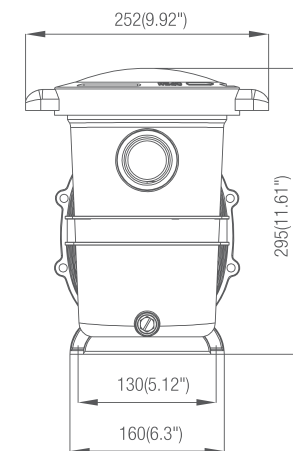
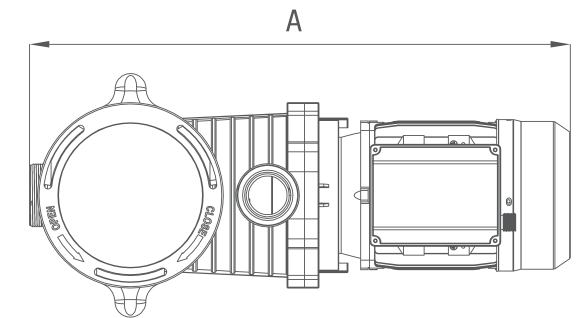
## PERFORMANCE CURVES



## DIMENSIONS

Units: MM (IN)

MODEL	L	A
72542	281(11.06")	527.5(20.76")
72543	316(12.44")	562.5(22.14")
72544	316(12.44")	562.5(22.14")





# SIMPFLO<sup>®</sup>-S2-E PUMPS

Efficient, Dependable. This full-flow hydraulics design moves water more efficiently and more quietly than competitive pump. Under typical operating conditions, it offers the highest water flow of any high performance pump, yet with the lowest operating costs. The pumps are easy to maintain and due to its integrated big strainer basket, the cleaning intervals become longer. Fields of application include any size pool or pool and spa combination.



Energy Saving



Quieter Operation



Cost-effective



Heavy Duty



Easy Operation and Maintenance



## FEATURED HIGHLIGHTS

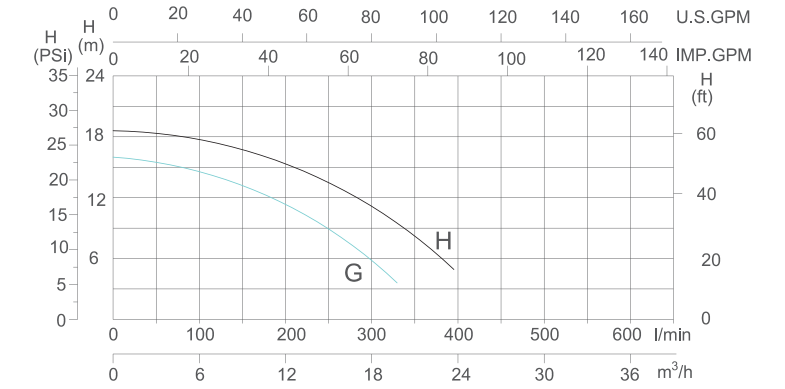
- Innovative diffuser and high-efficiency impeller maximize water flow and energy efficiency while minimizing noise and operating costs
- All components molded of corrosion-proof reinforced thermoplastic for extra durability and long life
- Heavy-duty, high performance motor for quieter, cooler operation
- See-through lid makes inspection fast and easy-engineered polymer remains clear and strong. Besides lid is easy to remove and quickly locks in place with a quarter-turn
- Massive strainer basket for ease of maintenance
- American design mechanical seal using carbon to ceramic sealing surfaces
- Fully factory tested

## ORDER GUIDE

Energy Efficient Single Speed Full Rated-CE

MODEL NUMBER	MOTOR MODEL	VOLTAGE	HERTZ	FULL LOAD AMPS	FLOWRATE M <sup>3</sup> /H	OUTPUT POWER HP	PORT SIZE INCH	NET WT. KGS	CURVE KEY
72547	6407	220-240	50	4.5	18.8	1	2	13.5	G
72548	6408	220-240	50	6.5	22.8	1.5	2	15.1	H

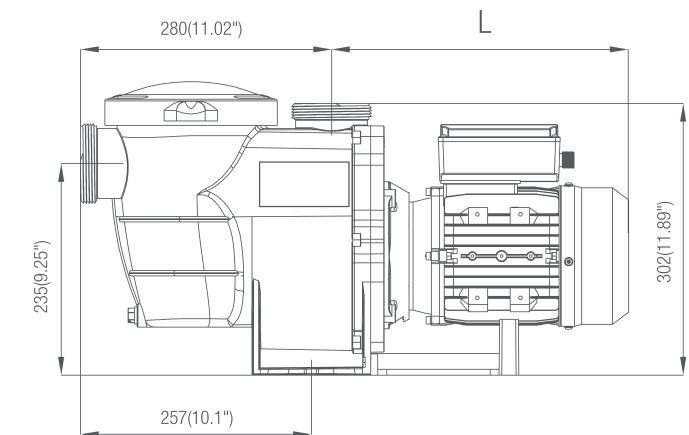
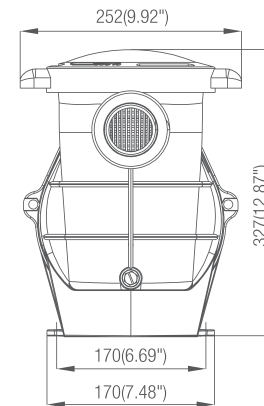
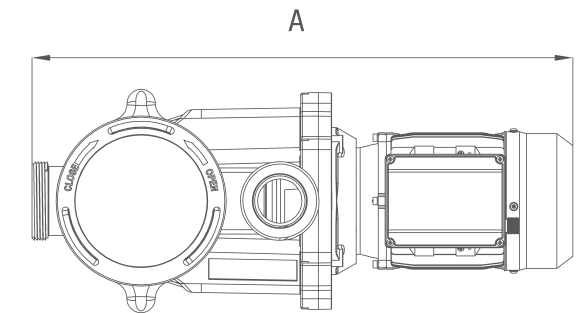
## PERFORMANCE CURVES



## DIMENSIONS

Units: MM (IN)

MODEL	L	A
72547	331(13.03")	611(24.05")
72548	331(13.03")	611(24.05")





# COMMER-FLO® PUMPS

The Commer-Flo pump is designed to provide the highest water flow and to balance energy consumption as well as quietly operation. It will be the ideal solution for residential and commercial applications



Energy Saving



Quieter Operation



Cost-effective



Heavy Duty



Easy Operation and Maintenance



## FEATURED HIGHLIGHTS

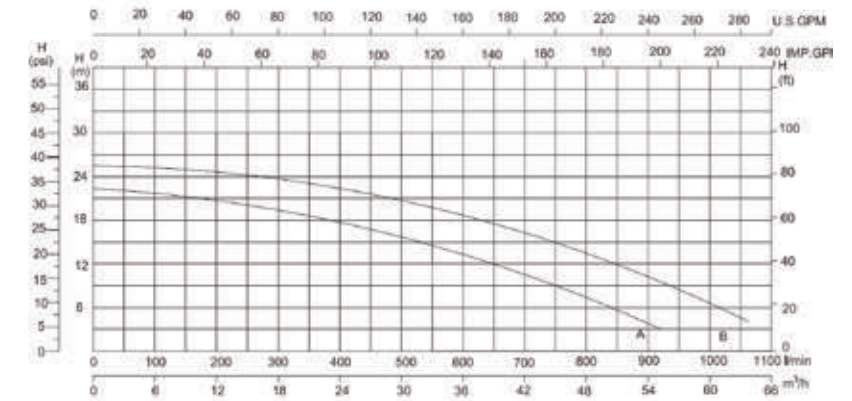
- Hydraulic isolator separates priming water from pumping water for faster priming, more turbulent-free flow and increased efficiency.
- Dual-compartment motor for simplified field wiring
- Advanced seals made of oxidation-resistance, self-retaining
- Extra-large, robust basket with smooth surface for easy debris removal
- Easy-carry handle, easily removable, ergonomic lock ring, and see-through lid for easy basket inspection
- Heavy-duty/durable construction is designed for long life
- Compatible with all cleaning systems, various filters and jet action spas
- 2.5 inch heavy duty threading for hassle-free connection

## ORDER GUIDE

### Energy Efficient Single Speed Full Rated-CE

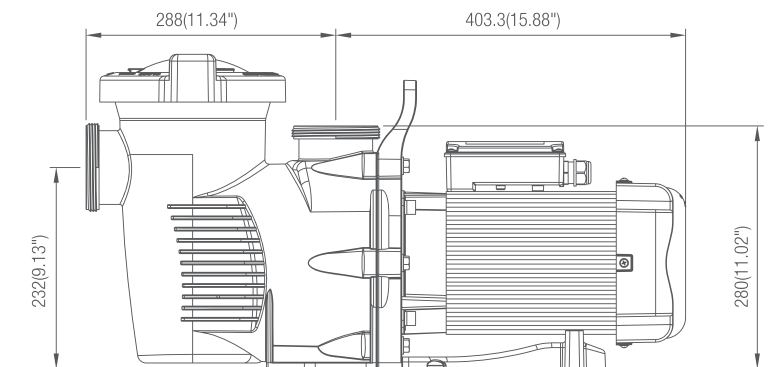
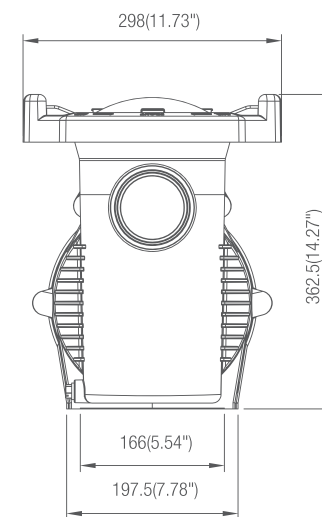
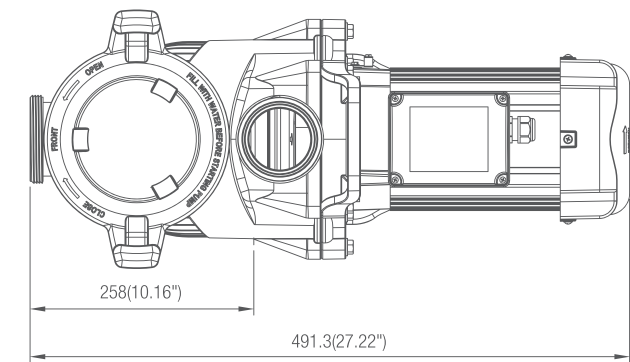
MODEL NUMBER	MOTOR MODEL	VOLTAGE	HERTZ	FULL LOAD AMPS	FLOWRATE M <sup>3</sup> /H	OUTPUT POWER HP	PORT SIZE INCH	NET WT. KGS	CURVE KEY
72582	6707	380	50	4.6	58	3	2.5	27.1	A
72583	6708	380	50	6.8	68	5	2.5	29.7	B

## PERFORMANCE CURVES



## DIMENSIONS

Units: MM (IN)





# DUAL SPEED PUMPS

It is designed for today's increasing energy saving requirements. Test prove that running in low speed can save pool owners up to 75% on energy costs compared to ordinary single speed pump. Dual Speed pump can match pump flow to a pool's needs, versus running at full power 100% of the time. Integrated controllers are programmable with a self-contained 24-hour clock to manage flow throughout the day.



**ULTRA-FLO®-U2 72726C  
72727C**



**HAMFLO®-U2 72749C  
72750C  
72751C**



**SIMPFLO®-U2 72754C  
72755C**



Energy Saving



Heavy Duty



Easy Operation and Maintenance

## FEATURED HIGHLIGHTS

- 3450 RPM for high speed and 1720RPM for low speed (ETL), use intelligent controller to program the filtration.
- Use the most cost saving pump to achieve energy consumption reducing.
- Quiet by design
- Fully programmable, self-contained 24 hours time clock with high speed running time and low speed running time.
- No additional controller or time clock needed.
- Extra leaf-holding capacity basket extends time between cleanings.
- Includes digital control.
- Fully factory tested.

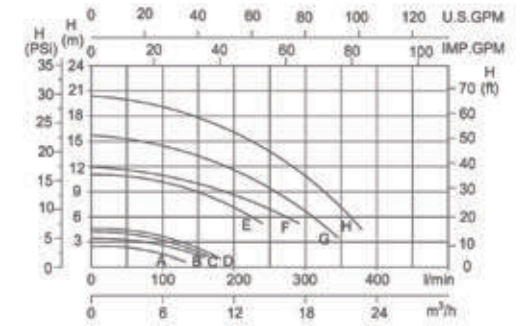
## ORDER GUIDE

Energy Efficient Dual Speed Full Rated-ETL

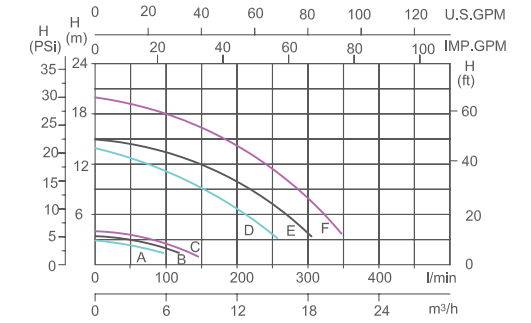
MODEL NUMBER	MOTOR MODEL	VOLTAGE	HERTZ	FULL LOAD AMPS	FLOWRATE GPM	OUTPUT POWER HP	PORT SIZE INCH	NET WT. LBS.
72726C	6577	115	60	10/3.2	75/38	0.75	1.5	21.8
72727C	6578	115	60	12/3.6	83/42	1	1.5	23.9
72754C	6581	115	60	12/3.6	83/42	1	2	21.6
72755C	6583	230	60	7.5/2.1	97/49	1.5	2	26.0
72749C	6579	115	60	10/3.2	73/37	0.75	1.5	22.3
72750C	6580	115	60	12/3.6	79/40	1	1.5	24.1
72751C	6582	230	60	7.5/2.1	88/45	1.5	1.5	28.8

## PERFORMANCE CURVES

MODEL	SPEED	CURVE	MODEL	SPEED	CURVE
72754C	3450r/min	G	7C	3450r/min	E
	1720r/min	D		1720r/min	A
72755C	3450r/min	H	72727C	3450r/min	F
	1720r/min	C		1720r/min	B

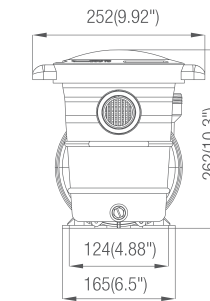
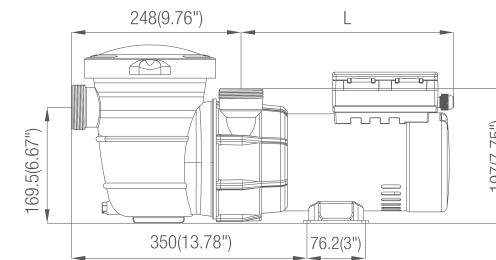


MODEL	SPEED	CURVE	MODEL	SPEED	CURVE
72749C	3450r/min	D	72751C	3450r/min	F
	1720r/min	A		1720r/min	C
72750C	3450r/min	E			
	1720r/min	B			

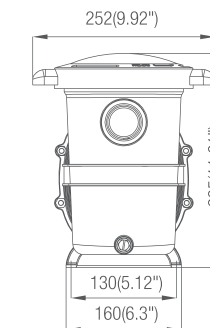
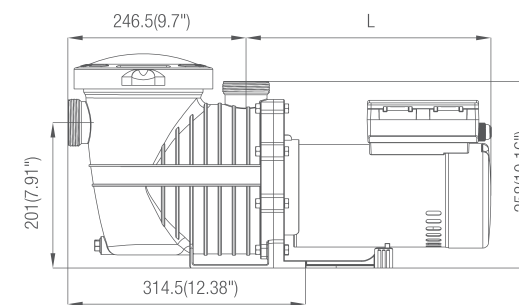


## DIMENSIONS

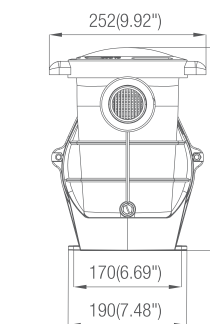
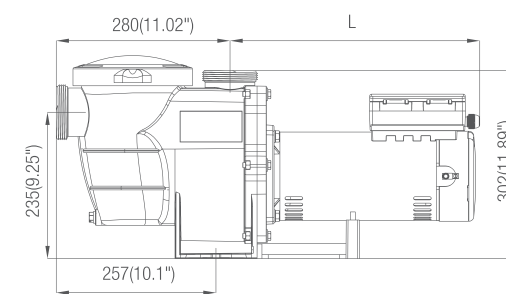
Units: MM (IN)



MODEL	L
72726C	305(12")
72727C	311(12.24")



MODEL	L
72749C	304.5(11.98")
72750C	310.5(12.22")
72751C	354(13.93")



MODEL	L
72755C	358(14.09")
72754C	402(15.82")



# ULTRA-FLO<sup>®</sup>-U1 PUMP

This series of pump has been engineered as a uniquely superior above-ground pool pump. This pool pump range offers commercial pool pump quality for residential pools, to ensure durability, superior performance and quiet operation. Our pump continues to set standards for the future by using 100% recyclable plastic which is environmentally friendly.



Energy Saving



Quieter Operation



Cost-effective



Heavy Duty



## FEATURED HIGHLIGHTS

- Durable, corrosion-proof housing for dependable service and all-weather performance
- Heavy-duty, high performance motor with integrated automatic thermal overload protector
- See-through lid makes inspection fast and easy-engineered polymer remains clear and strong. Besides lid is easy to remove and quickly locks in place with a quarter-turn
- Massive strainer basket for large debris collection with minimal maintenance
- Integral drain plug for easy winterization of pump
- American design mechanical seal using carbon to ceramic sealing surfaces
- Simple servicing

## ORDER GUIDE

### Energy Efficient Single Speed Full Rated-ETL

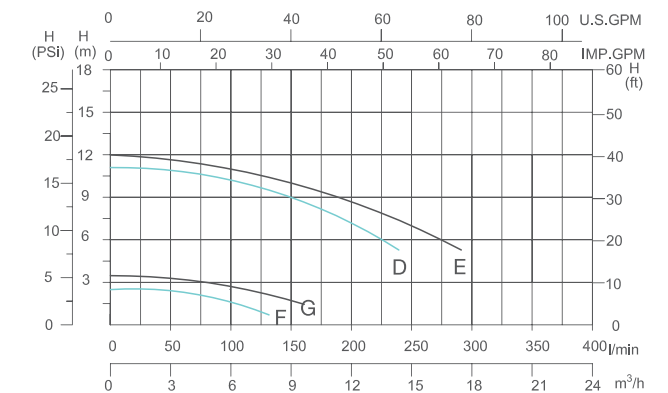
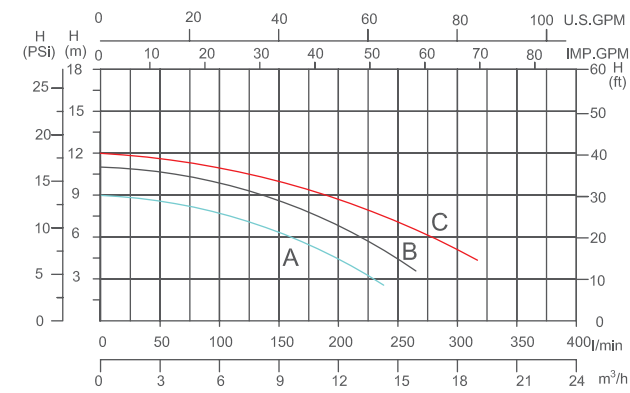
MODEL NUMBER	MOTOR MODEL	VOLTAGE	HERTZ	FULL LOAD AMPS	FLOWRATE GPM	OUTPUT POWER HP	PORT SIZE INCH	NET WT. LBS.	CURVE KEY
72728	6311	115	60	7.3	67	0.75	1.5	19.9	A
72729	6312	115	60	9	77	1	1.5	21.7	B
72730	6313	115	60	12	82	1.5	1.5	23.2	C

### Energy Efficient Dual Speed Full Rated- ETL

MODEL NUMBER	MOTOR MODEL	VOLTAGE	HERTZ	FULL LOAD AMPS	FLOWRATE GPM	OUTPUT POWER HP	PORT SIZE INCH	NET WT. LBS.	CURVE KEY
72726	6520	115	60	10/3.2	75/38	0.75	1.5	21.8	D/F
72727	6523	115	60	12/3.6	83/42	1	1.5	23.9	E/G

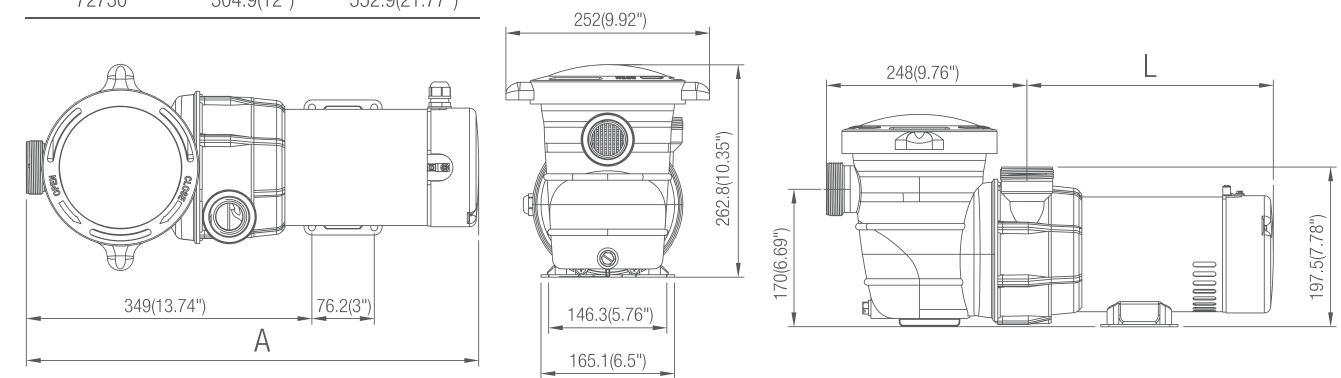
## PERFORMANCE CURVES AND DIMENSIONS

Units: MM (IN)

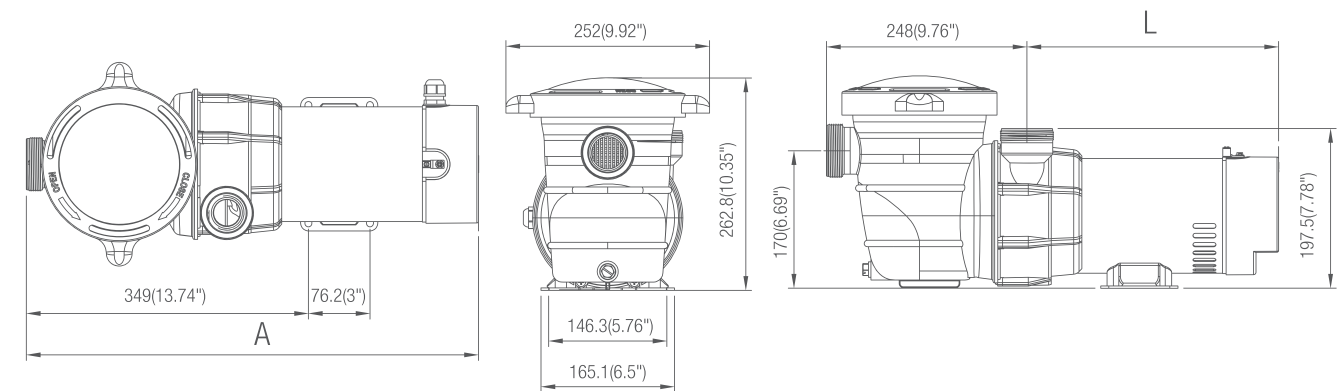


MODDL	SPEED	CURVE
72726	3450r/min	D
	1720r/min	F
72727	3450r/min	E
	1720r/min	G

MODEL	L	A
72728	291.9(11.49")	539.9(21.26")
72729	298.9(11.77")	546.9(21.53")
72730	304.9(12")	552.9(21.77")



MODEL	L	A
72726	305.4(12.02")	553.4(21.79")
72727	311.4(12.26")	559.4(22.02")





# HAMFLO<sup>®</sup>-U PUMP

Designed for today's most demanding installations. The medium head pump has been engineered for durability and quiet performance with economy in mind. This all-around pump with large pump basket is ideally suited for all above-ground, on-ground and small in-ground pools. Exclusive features such as high efficiency motor, 100% recyclable "environment friendly" plastics, and carbon to ceramic sealing surfaces design will make medium head pump the leading pump choice of all pool professionals.



Energy Saving



Quieter Operation



Cost-effective



Heavy Duty



## FEATURED HIGHLIGHTS

- Rugged, one-piece strainer housing molded of corrosion-proof reinforced thermoplastic for extra durability and long life
- Exclusive, high-performance motor design for quieter, cooler and more energy efficient operation
- Specially constructed clear lid with locking ring design is easy to open. Large strainer basket is always locked in place
- American design mechanical seal using carbon to ceramic sealing surfaces
- Fully factory tested

## ORDER GUIDE

### Energy Efficient Single Speed Full Rated-ETL

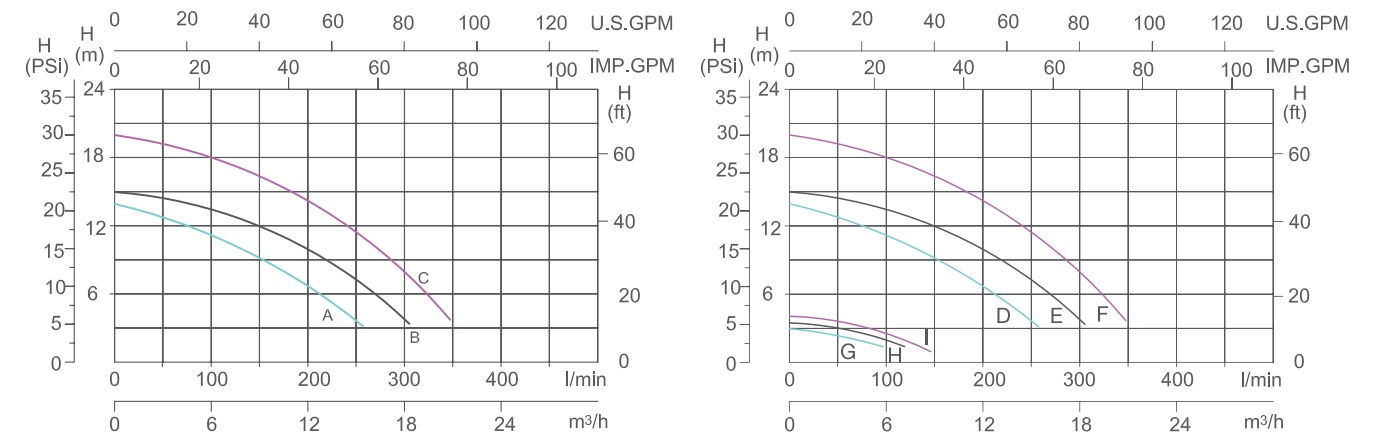
MODEL NUMBER	MOTOR MODEL	VOLTAGE	HERTZ	FULL LOAD AMPS	FLOWRATE GPM	OUTPUT POWER HP	PORT SIZE INCH	NET WT. LBS.	CURVE KEY
72742	6544	115	60	9.2	73	0.75	1.5	21.4	A
72743	6550	115/230	60	11.5/5.7	79	1	1.5	22.6	B
72744	6552	115/230	60	14/7.0	83	1.5	1.5	27.4	C

### Energy Efficient Dual Speed Full Rated- ETL

MODEL NUMBER	MOTOR MODEL	VOLTAGE	HERTZ	FULL LOAD AMPS	FLOWRATE GPM	OUTPUT POWER HP	PORT SIZE INCH	NET WT. LBS.	CURVE KEY
72749	6556	115	60	10/3.2	73/37	0.75	1.5	22.3	D/G
72750	6557	115	60	12/3.6	79/40	1	1.5	24.1	E/H
72751	6558	230	60	7.5/2.1	88/45	1.5	1.5	28.8	F/I

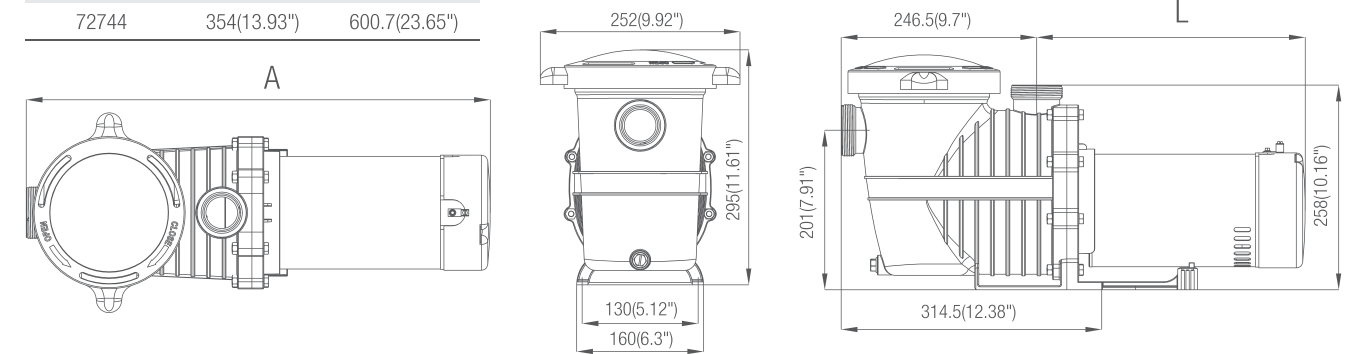
## PERFORMANCE CURVES AND DIMENSIONS

Units: MM (IN)

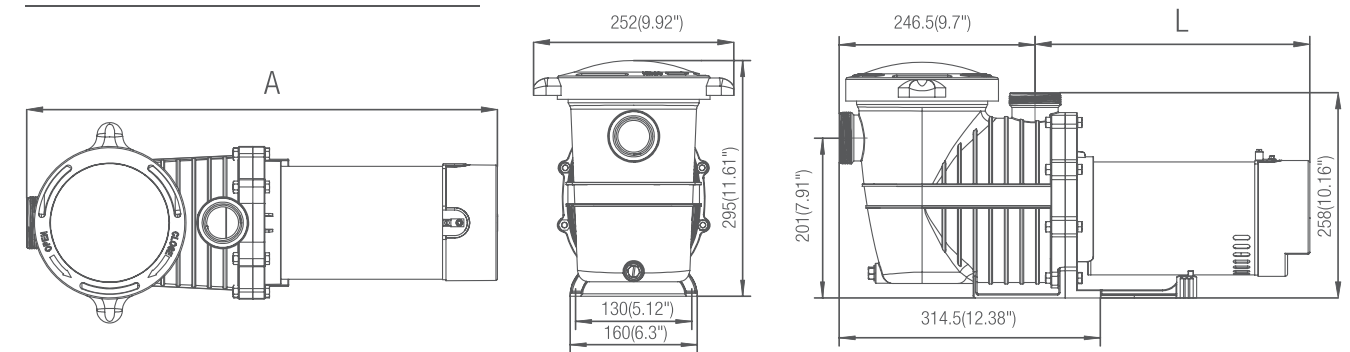


MODDL	SPEED	CURVE	MODDL	SPEED	CURVE
72749	3450r/min	D	72751	3450r/min	F
	1720r/min	G		1720r/min	I
72750	3450r/min	E			
	1720r/min	H			

MODEL	L	A
72742	304.5(11.98")	551(21.69")
72743	310.5(12.22")	557(21.92")
72744	354(13.93")	600.7(23.65")



MODEL	L	A
72749	311.5(12.98")	557.5(21.95")
72750	317.5(12.50")	563.5(22.19")
72751	360.5(14.19")	616.5(24.27")





# SIMPFLO<sup>®</sup>-S1-U PUMPS

Efficient, Dependable. This full-flow hydraulics design moves water more efficiently and more quietly than competitive pump. Under typical operating conditions, it offers the highest water flow of any high performance pump, yet with the lowest operating costs. The pumps are easy to maintain and due to its integrated big strainer basket, the cleaning intervals become longer. Fields of application include any size pool or pool and spa combination.



Energy Saving



Quieter Operation



Cost-effective



Heavy Duty



## FEATURED HIGHLIGHTS

- Innovative diffuser and high-efficiency impeller maximize water flow and energy efficiency while minimizing noise and operating costs
- All components molded of corrosion-proof reinforced thermoplastic for extra durability and long life
- Heavy-duty, high performance motor for quieter, cooler operation
- Massive strainer basket for ease of maintenance
- See-through lid makes inspection fast and easy-engineered polymer remains clear and strong. Besides lid is easy to remove and quickly locks in place with a quarter-turn
- American design mechanical seal using carbon to ceramic sealing surfaces
- Fully factory tested

## ORDER GUIDE

### Energy Efficient Single Speed Full Rated-ETL

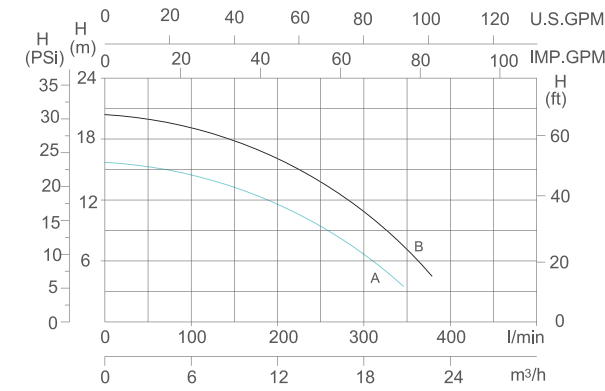
MODEL NUMBER	MOTOR MODEL	VOLTAGE	HERTZ	FULL LOAD AMPS	FLOWRATE GPM	OUTPUT POWER HP	PORT SIZE INCH	NET WT. LBS.	CURVE KEY
72747	6551	115/230	60	11.5/5.7	83	1	2	27.4	A
72748	6553	115/230	60	14.2/7.1	97	1.5	2	31.7	B

### Energy Efficient Dual Speed Full Rated - ETL

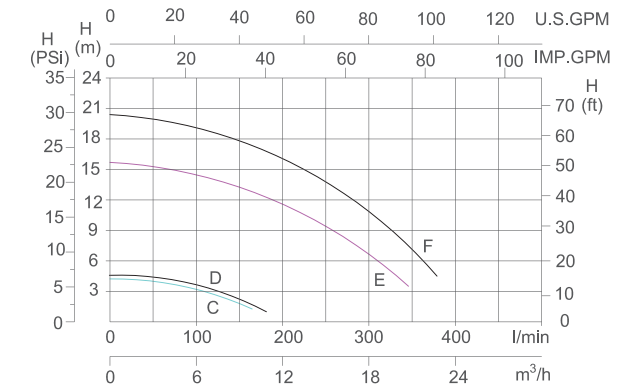
MODEL NUMBER	MOTOR MODEL	VOLTAGE	HERTZ	FULL LOAD AMPS	FLOWRATE GPM	OUTPUT POWER HP	PORT SIZE INCH	NET WT. LBS.	CURVE KEY
72754	6522	115	60	12/3.6	83/41	1	2	28	E/C
72755	6559	230	60	7.5/2.1	97/49	1.5	2	33	F/D

## PERFORMANCE CURVES AND DIMENSIONS

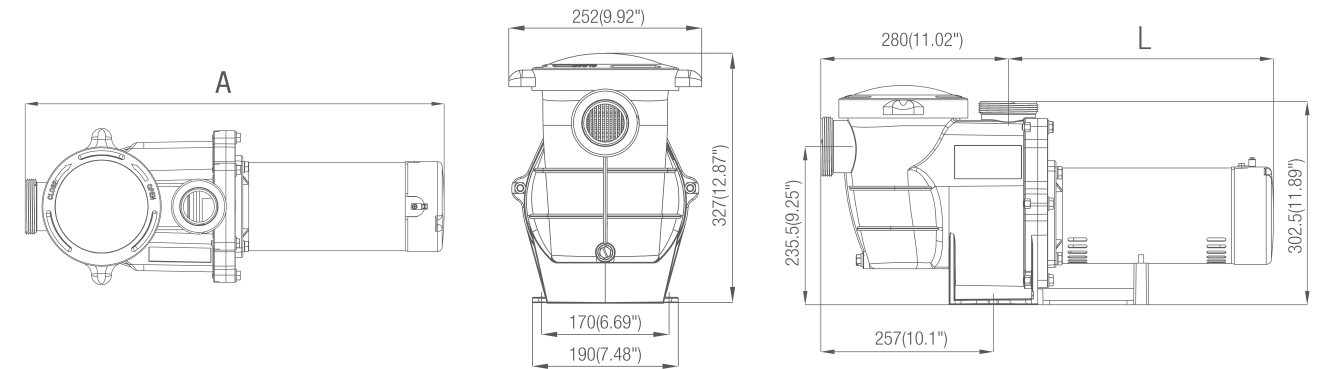
Units: MM (IN)



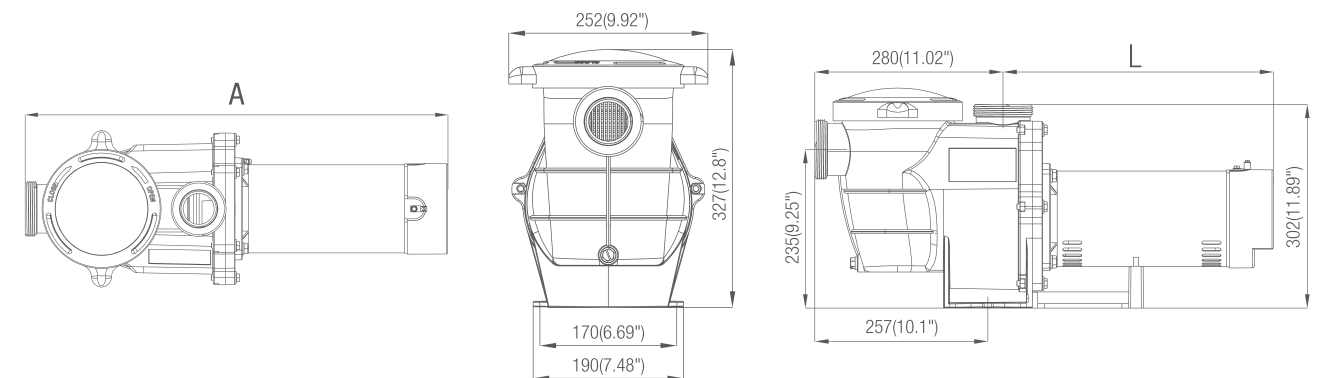
MODEL	SPEED	CURVE
72754	3450r/min	E
	1720r/min	C
72755	3450r/min	F
	1720r/min	D



MODEL	L	A
72747	351(13.83")	630(24.81")
72748	395(15.55")	674(26.53")



MODEL	L	A
72754	402(15.82")	681(26.81")
72755	358(14.09")	637(25.07")





# EZ-FLO<sup>®</sup>-S1-U PUMPS

The Splash Super Pump is large-capacity, technologically advanced pump blends cost-efficient design with durable construction, setting the standard for excellence and value. Designed for in ground pools and spas of all types and sizes, the Super Pump features a totally balanced, efficient impeller through simulation design to produce higher flow rates at less horsepower than other pumps, meanwhile, this super pump is outstandingly quiet.



Energy Saving



Quieter Operation



Cost-effective



Heavy Duty



Easy Operation and Maintenance



## FEATURED HIGHLIGHTS

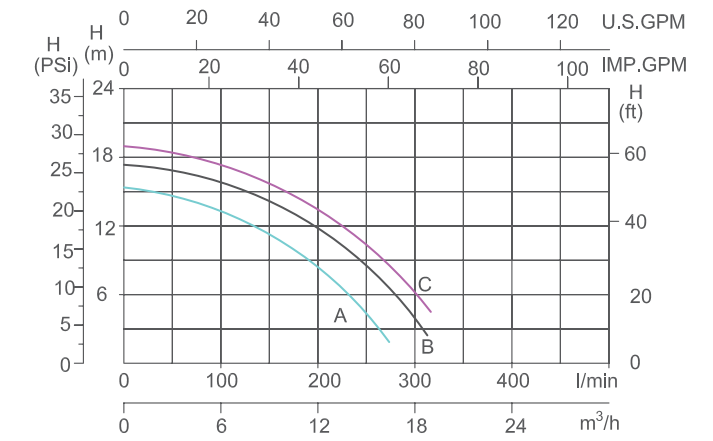
- Heavy-duty, high-performance motor with air-flow ventilation for quieter, cooler operation
- See-through strainer cover lets you see when the basket needs to be cleaned and eliminated guesswork; special self-adjusting seal ensures dependable sealing
- Service-ease design gives simple access to all internal parts
- Heat-resistant, industrial-size ceramic seal is long-wearing and drip proof
- Mounting base provides stable, stress-free support, plus versatility for any installation requirement
- Perfect replacement for well-known brand.

## ORDER GUIDE

Energy Efficient Single Speed Full Rated-ETL

MODEL NUMBER	MOTOR MODEL	VOLTAGE	HERTZ	FULL LOAD AMPS	FLOWRATE GPM	OUTPUT POWER HP	PORT SIZE INCH	NET WT. LBS.	CURVE KEY
72765	6516	115/230	60	12/5.9	74	0.75	1.5	25.4	A
72766	6517	115/230	60	15/7.5	81.5	1	1.5	28.6	B
72767	6518	115/230	60	17/8.5	86	1.5	1.5	30.2	C

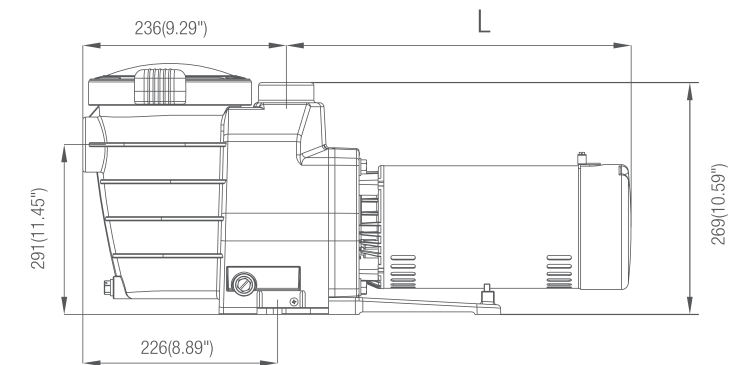
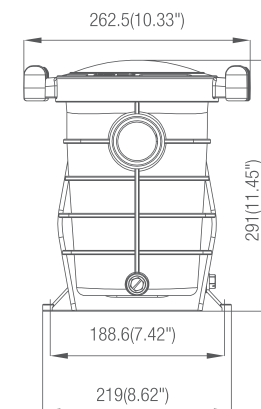
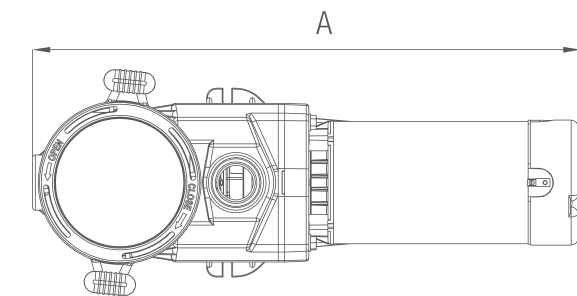
## PERFORMANCE CURVES



## DIMENSIONS

Units: MM (IN)

MODEL	L	A
72765	360(14.17")	596(23.46")
72766	372(14.64")	608(23.93")
72767	400(15.74")	636(25.03")



# ULTRA-FLO<sup>®</sup>-C PUMP

To save on energy while maintaining high filtration efficiency, a two-speed pump is the right choice. On low speed, the pump supplies a sufficient flow to filter your pool. You can mainly use this speed in the low season but it is recommended to alternate between low and high speed during high activity and hot days.



Energy Saving



Quieter Operation

## FEATURED HIGHLIGHTS

- Heavy-duty, high performance motor with integrated automatic thermal overload protector
- Massive strainer basket for ease of maintenance
- See-through lid makes inspection fast and easy-engineered polymer remains clear and strong. Besides lid is easy to remove and quickly locks in place with a quarter-turn
- Tall mounting base allows for increased motor ventilation as well as protection from flooding
- American design mechanical seal using carbon to ceramic sealing surfaces
- Pump operation documented in rigorous CSA tests
- Simple servicing
- Double-insulated designed
- Fully factory test

## ORDER GUIDE

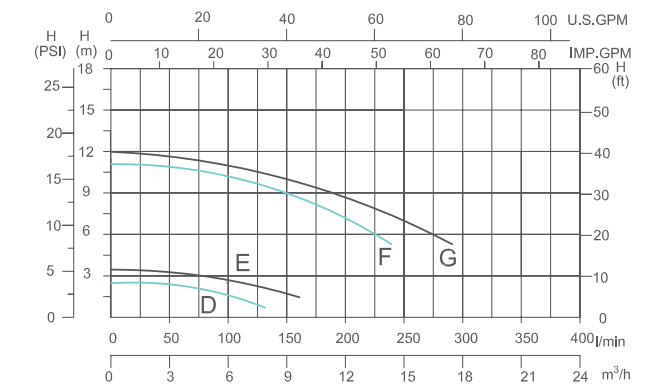
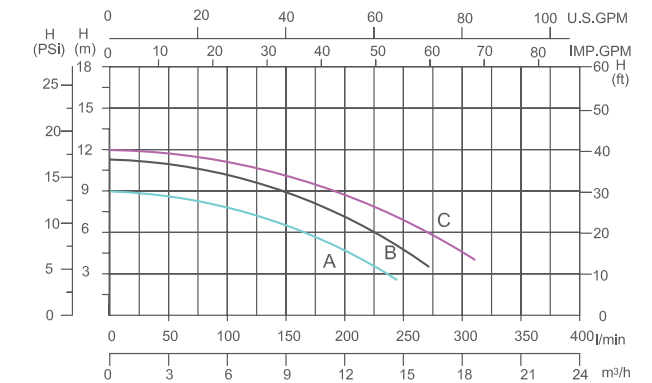
### Energy Efficient Single Speed Full Rated-CSA

MODEL NUMBER	MOTOR MODEL	VOLTAGE	HERTZ	FULL LOAD AMPS	FLOWRATE GPM	OUTPUT POWER HP	PORT SIZE INCH	NET WT. LBS.	CURVE KEY
72731	6547	115	60	7.3	62	0.75	1.5	23	A
72732	6548	115	60	9	75	1	1.5	24.8	B
72733	6549	115	60	12	83	1.5	1.5	26.3	C

### Energy Efficient Dual Speed Full Rated-CSA

MODEL NUMBER	MOTOR MODEL	VOLTAGE	HERTZ	FULL LOAD AMPS	FLOWRATE GPM	OUTPUT POWER HP	PORT SIZE INCH	NET WT. LBS.	CURVE KEY
72735	6519	115	60	10/3.2	75/38	1	1.5	24.6	D/F
72736	6521	115	60	12/3.6	83/42	1.5	1.5	26.3	E/G

## PERFORMANCE CURVES

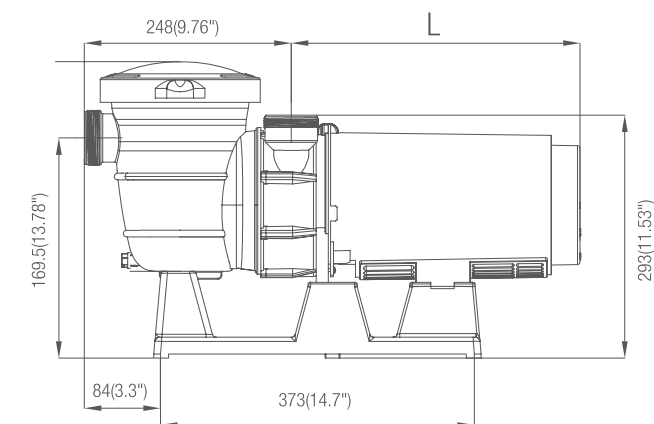
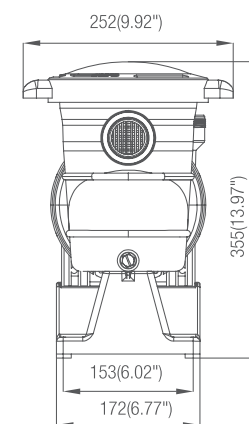
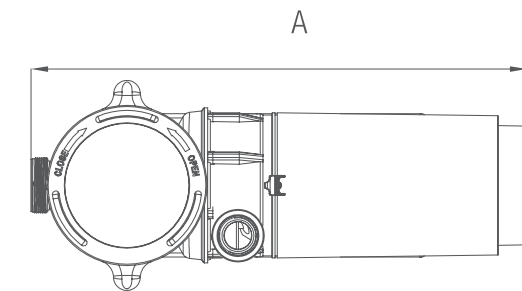


MODEL	SPEED	CURVE
72735	3450r/min	D
	1720r/min	F
72736	3450r/min	E
	1720r/min	G

## DIMENSIONS

Units: MM (IN)

MODEL	L	A
72731	340.5(13.40")	588.5(23.16")
72732	340.5(13.40")	588.5(23.16")
72733	346.5(13.64")	594.5(23.40")
72735	340.5(13.40")	588.5(23.16")
72736	346.5(13.64")	594.5(23.40")





# HAMFLO®-C1 PUMP

To save on energy while maintaining high filtration efficiency, a two-speed pump is the right choice. On low speed, the pump supplies a sufficient flow to filter your pool. You can mainly use this speed in the low season but it is recommended to alternate between low and high speed during high activity and hot days.



Energy Saving



Easy Operation and Maintenance



Cost-effective



Heavy Duty

## FEATURED HIGHLIGHTS

- Heavy-duty, high performance motor with integrated automatic thermal overload protector
- Massive strainer basket for ease of maintenance
- See-through lid makes inspection fast and easy-engineered polymer remains clear and strong. Besides lid is easy to remove and quickly locks in place with a quarter-turn
- Tall mounting base allows for increased motor ventilation as well as protection from flooding
- American design mechanical seal using carbon to ceramic sealing surfaces
- Pump operation documented in rigorous CSA tests
- Simple servicing
- Double-insulated designed
- Fully factory tested

## ORDER GUIDE

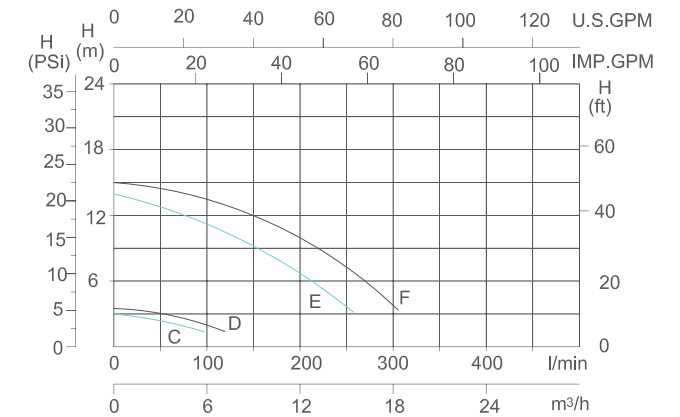
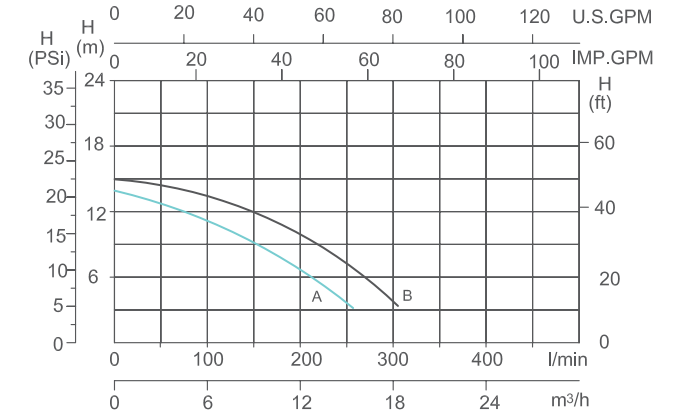
### Energy Efficient Single Speed Full Rated-CSA

MODEL NUMBER	MOTOR MODEL	VOLTAGE	HERTZ	FULL LOAD AMPS	FLOWRATE GPM	OUTPUT POWER HP	PORT SIZE INCH	NET WT. LBS.	CURVE KEY
72745	6548	115	60	9.2	73	0.75	1.5	26	A
72746	6549	115	60	12	79	1	1.5	27.8	B

### Energy Efficient Dual Speed Full Rated-CSA

MODEL NUMBER	MOTOR MODEL	VOLTAGE	HERTZ	FULL LOAD AMPS	FLOWRATE GPM	OUTPUT POWER HP	PORT SIZE INCH	NET WT. LBS.	CURVE KEY
72752	6519	115	60	10/3.2	73/37	0.75	1.5	26.5	D/F
72753	6520	115	60	12/3.6	79/40	1	1.5	28.3	E/G

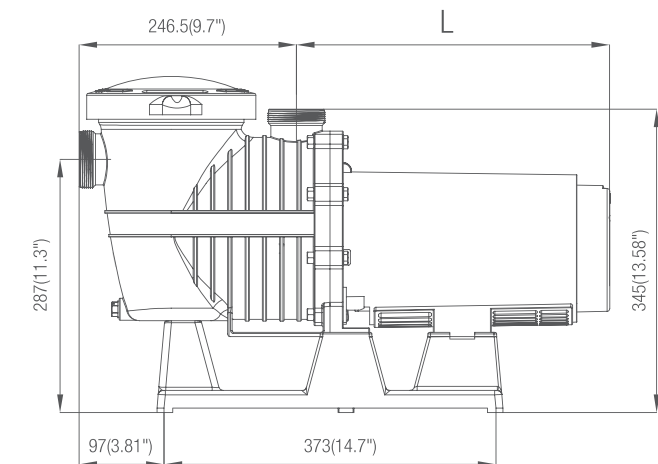
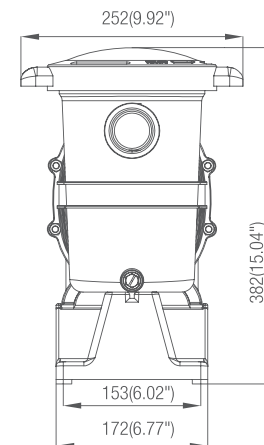
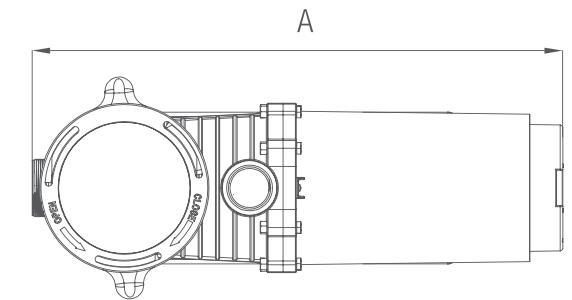
## PERFORMANCE CURVES



## DIMENSIONS

Units: MM (IN)

MODEL	L	A
72745	349(13.74")	595.5(23.44")
72746	355(13.97")	601.5(23.68")
72752	349(13.74")	595.5(23.44")
72753	355(13.97")	601.5(23.68")



# HAMFLO<sup>®</sup>-C2 PUMP

To save on energy while maintaining high filtration efficiency, a two-speed pump is the right choice. On low speed, the pump supplies a sufficient flow to filter your pool. You can mainly use this speed in the low season but it is recommended to alternate between low and high speed during high activity and hot days.



Energy Saving



Quieter Operation



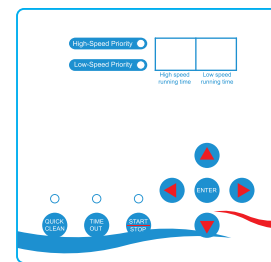
Cost-effective



Heavy Duty



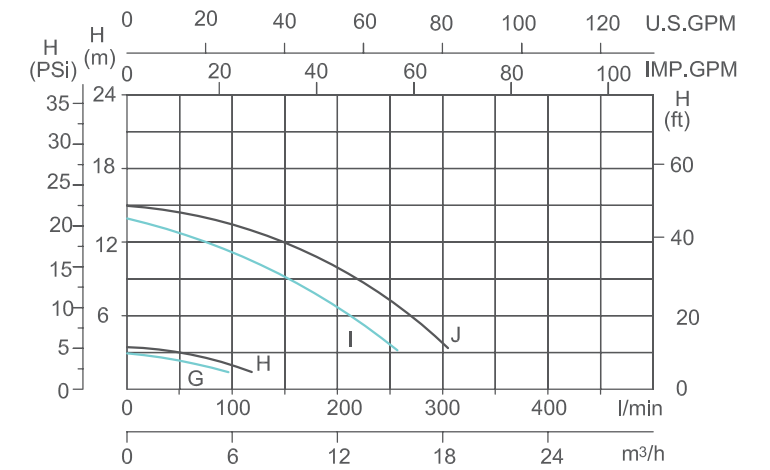
Easy Operation and Maintenance



94x90.9mm

## PERFORMANCE CURVES

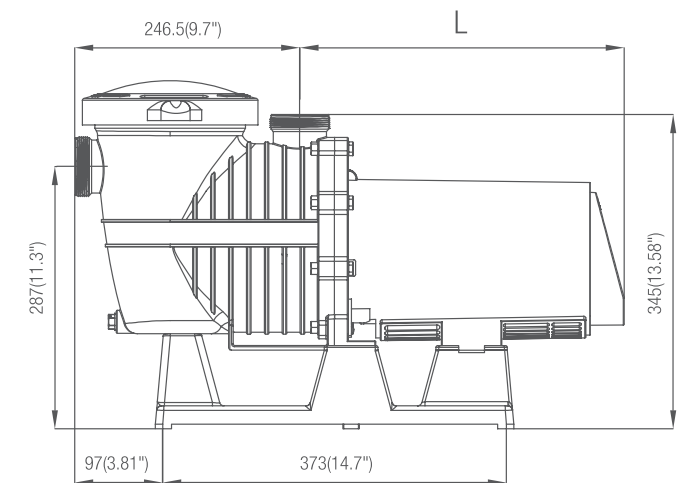
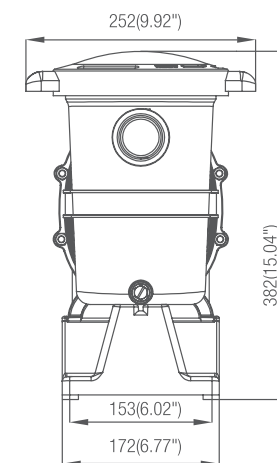
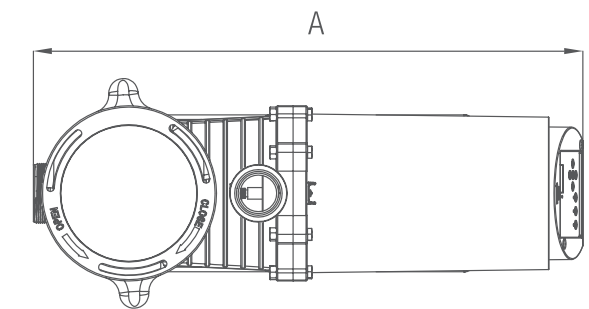
MODEL	SPEED	CURVE
72752C	3450r/min	I
	1720r/min	G
72753C	3450r/min	J
	1720r/min	H



## DIMENSIONS

Units: MM (IN)

MODEL	L	A
72752C	349(13.74")	595.5(23.44")
72753C	355(13.97")	601.5(23.68")



## FEATURED HIGHLIGHTS

- Heavy-duty, high performance motor with integrated automatic thermal overload protector
- Massive strainer basket for ease of maintenance
- See-through lid makes inspection fast and easy-engineered polymer remains clear and strong. Besides lid is easy to remove and quickly locks in place with a quarter-turn
- Tall mounting base allows for increased motor ventilation as well as protection from flooding
- American design mechanical seal using carbon to ceramic sealing surfaces
- Pump operation documented in rigorous CSA tests
- Simple servicing
- Double-insulated designed
- Fully factory test

## ORDER GUIDE

Energy Efficient Dual Speed Full Rated With Controller - CSA

MODEL NUMBER	MOTOR MODEL	VOLTAGE	HERTZ	FULL LOAD AMPS	FLOWRATE GPM	OUTPUT POWER HP	PORT SIZE INCH	NET WT. LBS.	CURVE KEY
72752C	6519	115	60	10/3.2	73/37	0.75	1.5	27	I/G
72753C	6521	115	60	12/3.6	79/40	1	1.5	28.6	J/H



# ESLUTION<sup>®</sup> PUMP

Compact, energy-saving, budget-priced. It is a high performance pump series designed for applications in small filtration plants, splash pool.



Cost-effective



Quieter Operation



Easy Operation and Maintenance

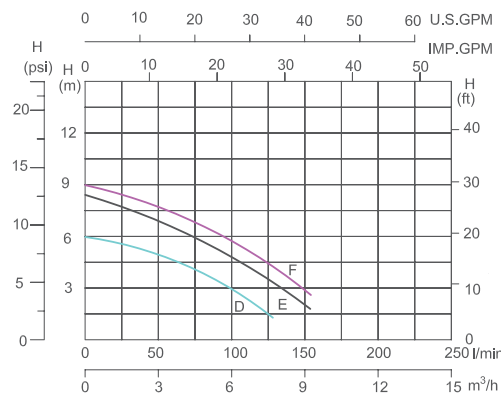
Optional: housing with strainer



## FEATURED HIGHLIGHTS

- Exclusive corrosion-proof housing for all-weather performance and quiet operation High performance motor with integrated automatic thermal overload protector
- High performance impeller
- Optional pre-filter
- Integral drain plug for easy winterization of pump
- Above ground, small in ground pools
- American design mechanical seal using carbon to ceramic sealing surfaces
- Simple servicing
- Fully factory tested

## PERFORMANCE CURVES

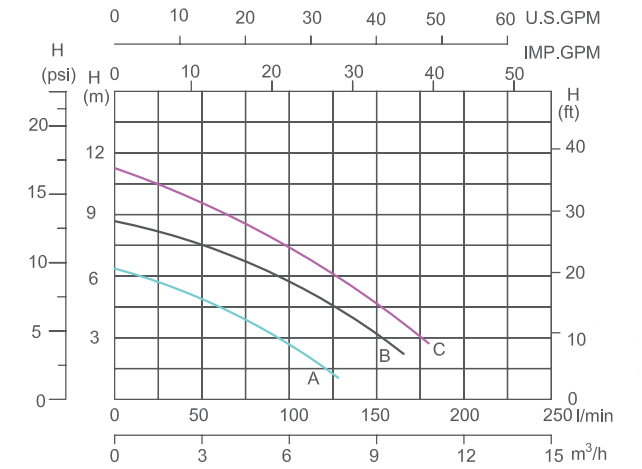


## EU ORDER GUIDE

Energy Efficient Single Speed Full Rated-CE

MODEL NUMBER	MOTOR MODEL	VOLTAGE	HERTZ	FULL LOAD AMPS	FLOWRATE M <sup>3</sup> /H	OUTPUT POWER HP	PORT SIZE INCH	NET WEIGHT KGS	CURVE KEY
72512	6401	220-240	50	1	7.9	0.25	1.5	3.8	D
72514	6401	220-240	50	1.8	10.2	0.35	1.5	4.7	E
72520	6416	220-240	50	2.3	11.5	0.5	1.5	5.2	F

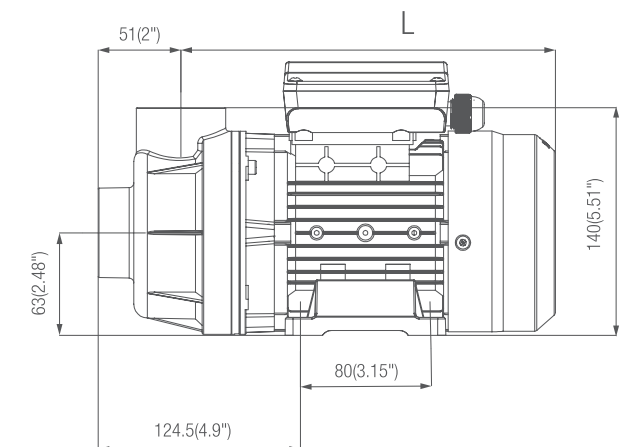
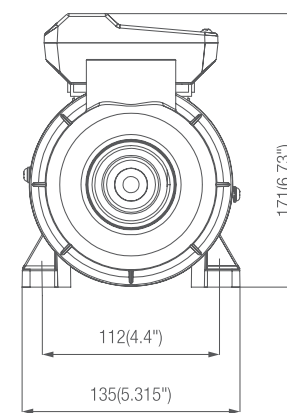
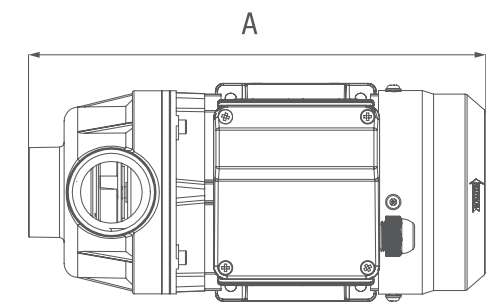
## PERFORMANCE CURVES



## DIMENSIONS

Units: MM (IN)

MODEL	L	A
72512	230(9")	281(11.06")
72514	230(9")	281(11.06")
72520	230(9")	281(11.06")
72712	230(9")	281(11.06")
72714	230(9")	281(11.06")
72720	230(9")	281(11.06")



## US ORDER GUIDE

Energy Efficient Single Speed Full Rated-ETL

MODEL NUMBER	MOTOR MODEL	VOLTAGE	HERTZ	FULL LOAD AMPS	FLOWRATE GPM	OUTPUT POWER HP	PORT SIZE INCH	NET WT. LBS.	CURVE KEY
72712	6512	115	60	2.5	37	0.25	1.5	8.4	A
72714	6513	115	60	3.6	44	0.35	1.5	10.4	B
72720	6570	115	60	5	54	0.5	1.5	11.5	C

# ESLUTION® PUMP

Compact, energy-saving, budget-priced. The Compact single speed pump is designed for the rigors of above-ground and on-ground type swimming pools. Combining durable, corrosion-proof construction with advanced features and options, this series pump sets the standard for value and performance.



Cost-effective



Quieter Operation



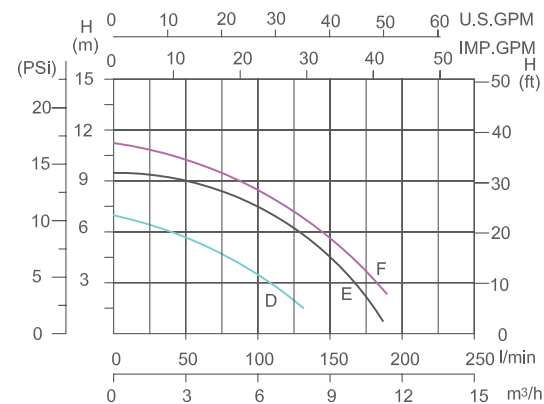
Easy Operation and Maintenance



## FEATURED HIGHLIGHTS

- Exclusive corrosion-proof housing for all-weather performance and quiet operation High performance motor with integrated automatic thermal overload protector
- High performance impeller
- Clear cover lets you see when basket needs cleaning
- Integral drain plug for easy winterization of pump
- Above ground, small in ground pools
- American design mechanical seal using carbon to ceramic sealing surfaces
- Stainless steel shaft
- Simple servicing
- Fully factory teste

## PERFORMANCE CURVES

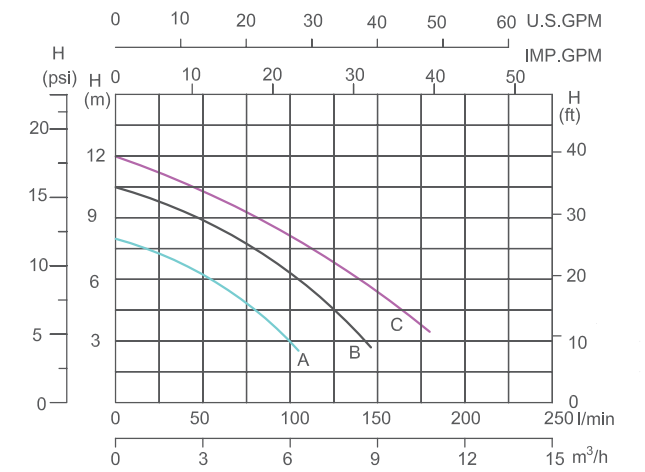


## EU ORDER GUIDE

Energy Efficient Single Speed Full Rated-CE

MODEL NUMBER	MOTOR MODEL	VOLTAGE	HERTZ	FULL LOAD AMPS	FLOWRATE M³/H	OUTPUT POWER HP	PORT SIZE INCH	NET WEIGHT KGS	CURVE KEY
72513	6401	220-240	50	1	7.5	0.25	1.5	4.9	D
72515	6402	220-240	50	1.8	10	0.35	1.5	5.6	E
72521	6416	220-240	50	2.4	11.5	0.5	1.5	6.3	F

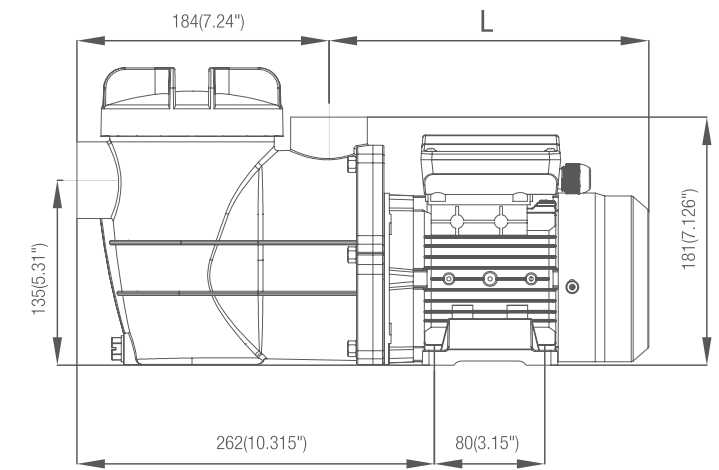
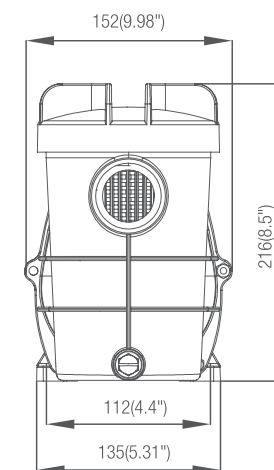
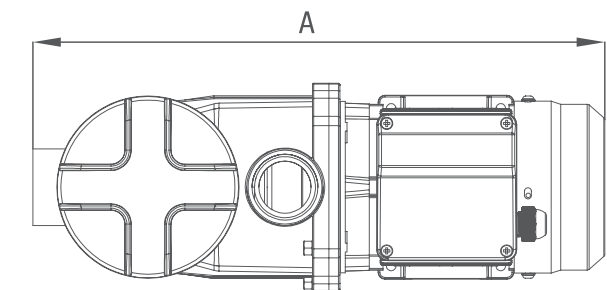
## PERFORMANCE CURVES



## DIMENSIONS

Units: MM (IN)

MODEL	L	A
72513	240(9.5")	424(16.69")
72515	240(9.5")	424(16.69")
72521	240(9.5")	424(16.69")
72713	240(9.5")	424(16.69")
72715	240(9.5")	424(16.69")
72721	240(9.5")	424(16.69")



## US ORDER GUIDE

Energy Efficient Single Speed Full Rated-ETL

MODEL NUMBER	MOTOR MODEL	VOLTAGE	HERTZ	FULL LOAD AMPS	FLOWRATE GPM	OUTPUT POWER HP	PORT SIZE INCH	NET WT. LBS.	CURVE KEY
72713	6512	115	60	2.5	33	0.25	1.5	10.8	A
72715	6513	115	60	3.6	40	0.35	1.5	12.7	B
72721	6570	115	60	4.7	52	0.5	1.5	13.2	C



# TIMFLOW® PUMPS

Compact, energy-saving, budget-priced. The Compact single speed pump is designed for the rigors of above-ground and on-ground type swimming pools. Combining durable, corrosion-proof construction with advanced features and options, this series pump sets the standard for value and performance.



Cost-effective



Quieter Operation



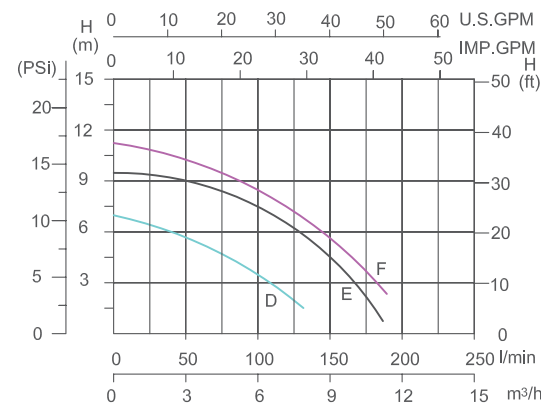
Easy Operation and Maintenance



## FEATURED HIGHLIGHTS

- Exclusive corrosion-proof housing for all-weather performance and quiet operation
- High performance motor with integrated automatic thermal overload protector
- High performance impeller
- On board timer for easy operation
- Clear cover lets you see when basket needs cleaning
- Integral drain plug for easy winterization of pump
- Simple servicing
- Fully factory tested

## PERFORMANCE CURVES

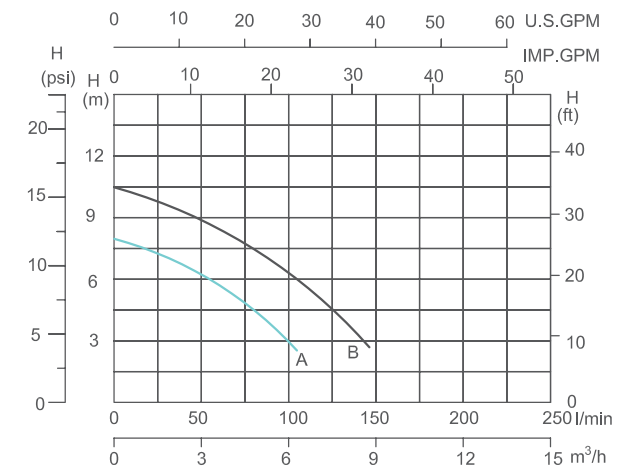


## EU ORDER GUIDE

Energy Efficient Single Speed Full Rated-CE

MODEL NUMBER	MOTOR MODEL	VOLTAGE	HERTZ	FULL LOAD AMPS	FLOWRATE M <sup>3</sup> /H	OUTPUT POWER HP	PORT SIZE INCH	NET WEIGHT KGS	CURVE KEY
72516	6411	220-240	50	1	7.5	0.25	1.5	5	D
72517	6412	220-240	50	1.8	10	0.35	1.5	5.8	E
72521006	6431	220-240	50	2.4	11.5	0.5	1.5	6.3	F

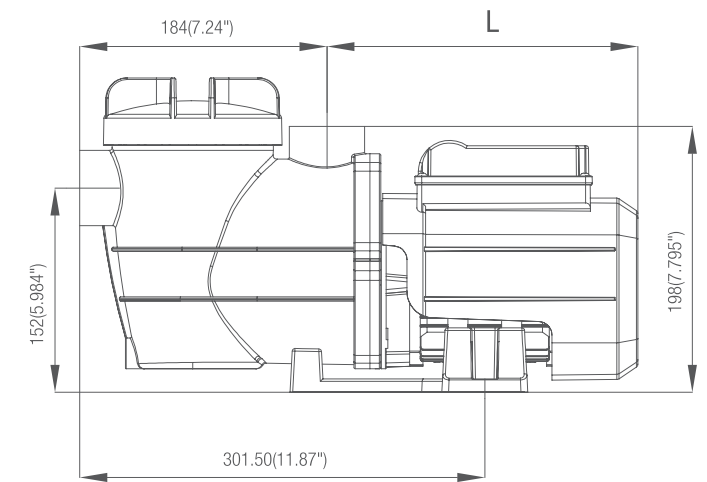
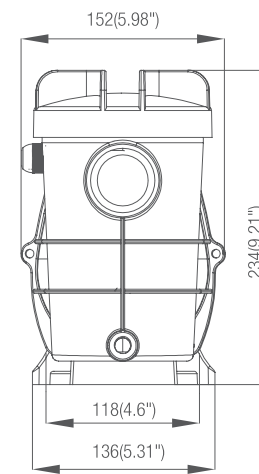
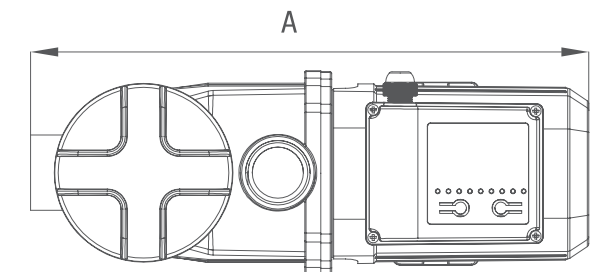
## PERFORMANCE CURVES



## DIMENSIONS

Units: MM (IN)

MODEL	L	A
72516	231(9.1")	415.5(16.35")
72517	231(9.1")	415.5(16.35")
72716	231(9.1")	415.5(16.35")
72717	231(9.1")	415.5(16.35")
72521006	231(9.1")	415.5(16.35")



## US ORDER GUIDE

Energy Efficient Single Speed Full Rated-ETL

MODEL NUMBER	MOTOR MODEL	VOLTAGE	HERTZ	FULL LOAD AMPS	FLOWRATE GPM	OUTPUT POWER HP	PORT SIZE INCH	NET WT. LBS.	CURVE KEY
72716	6560	115	60	2.5	33	0.25	1.5	11	A
72717	6561	115	60	3.6	40	0.35	1.5	12.5	B

# EZ-FLO<sup>®</sup>-S2 PUMPS

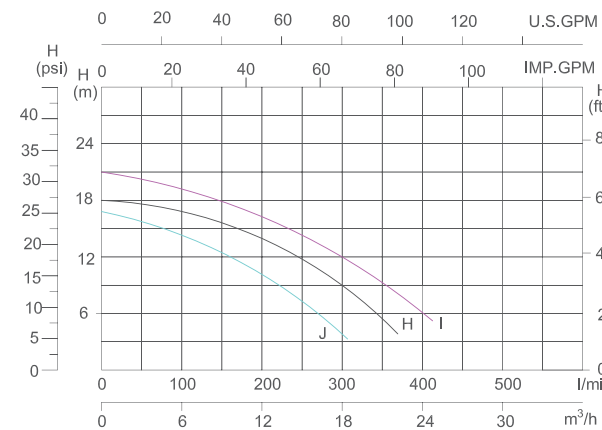
Combining maximum performance with durable, corrosion-proof materials, the high performance pumps are an exceptional value. This high-performance pump also features full-flow hydraulics that allows greater flow at a lower cost of operation and a housing design that makes it as quiet as it is dependable. This pump also features a heavy-duty high performance motor for quieter, cooler operation.



## FEATURED HIGHLIGHTS

- Drop-in replacement for well-know brand pumps.
- Oversized strainer basket extends time between cleanings.
- See-through lid makes inspection fast and easy-engineered polymer remains clear and strong for years.
- Advanced seals made of oxidation-resistant, self-retaining EPDM rubber for invreased durability and tighter seal.
- Heavy-duty, high performance motor with airflow ventilation for quieter, cooler operation.
- Ideal for pool and spa combinations and for operating in-floor cleaning systems.

## PERFORMANCE CURVES

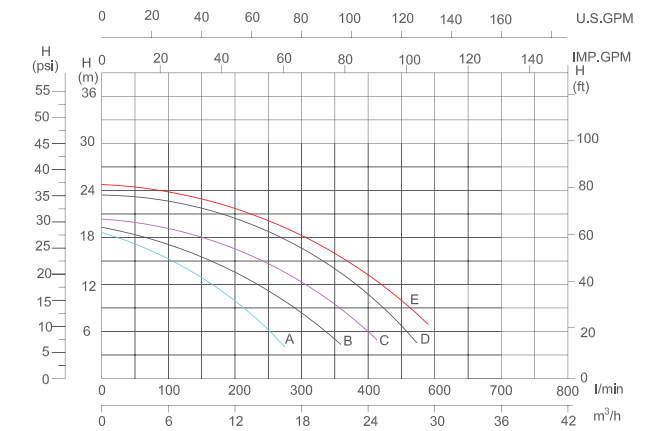


## EU ORDER GUIDE

Energy Efficient Single Speed Full Rated 56 Frame - CE

MODEL NUMBER	MOTOR MODEL	VOLTAGE	HERTZ	FULL LOAD AMPS	FLOWRATE M³/H	OUTPUT POWER HP	PORT SIZE INCH	NET WT. KGS	CURVE KEY
72562	6601	220-240	50	4.5	17.5	1	1.5	17	J
72580	6425	220-240	50	6	23.7	1.5	2	18	H
72581	6424	220-240	50	9.5	27	2	2	19	I

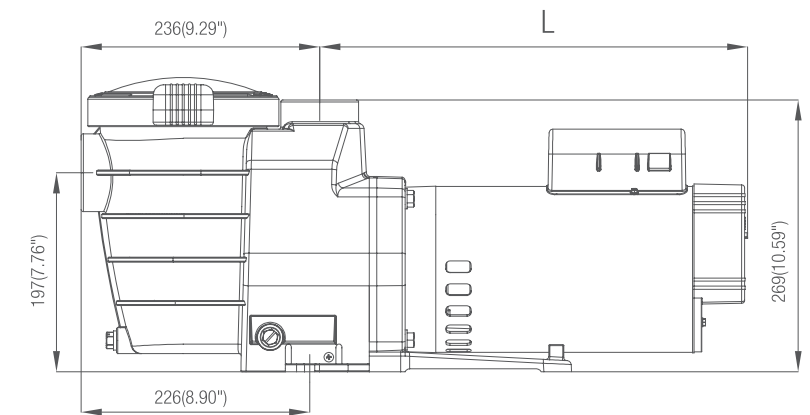
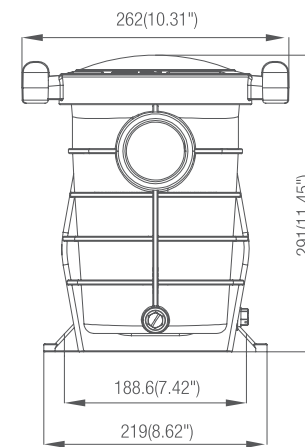
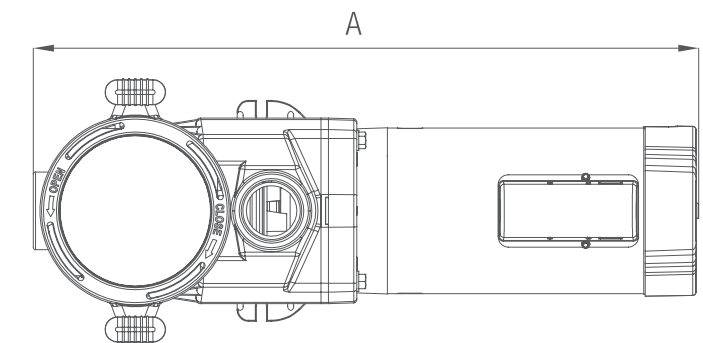
## PERFORMANCE CURVES



## DIMENSIONS

Units: MM (IN)

MODEL	L	A
72562	360.2(14.18")	596.2(23.47")
72580	383(15.09")	619.4(24.38")
72581	423.4(16.67")	659.4(25.96")
72778	383(15.09")	619.4(24.38")
72779	383(15.09")	619.4(24.38")
72780	383(15.09")	619.4(24.38")
72781	423.4(16.67")	659.4(25.96")
72782	423.4(16.67")	659.4(25.96")



## US ORDER GUIDE

Energy Efficient Single Speed Full Rated 56 Frame - ETL

MODEL NUMBER	MOTOR MODEL	VOLTAGE	HERTZ	FULL LOAD AMPS	FLOWRATE GPM	OUTPUT POWER HP	PORT SIZE INCH	NET WT. LBS.	CURVE KEY
72778	6311	115/230	60	8.5/4.3	66.7	0.75	1.5	32.5	A
72779	6312	115/230	60	11.4/5.7	77	1	1.5	35	B
72780	6313	115/230	60	12.5/6.2	80.6	1.5	2	37.8	C
72781	6314	115/230	60	18.4/9.2	97	2	2	40.4	D
72782	6315	230	60	10.8	102.5	2.5	2	42.3	E



# SIMPFLO<sup>®</sup>-S2/S3 PUMPS

The high-performance pump features full-flow hydraulics that allows greater flow at a lower cost of operation and a housing design that makes it as quiet as it is dependable. This pump also features a heavy-duty high performance motor for quieter, cooler operation.



Energy Saving



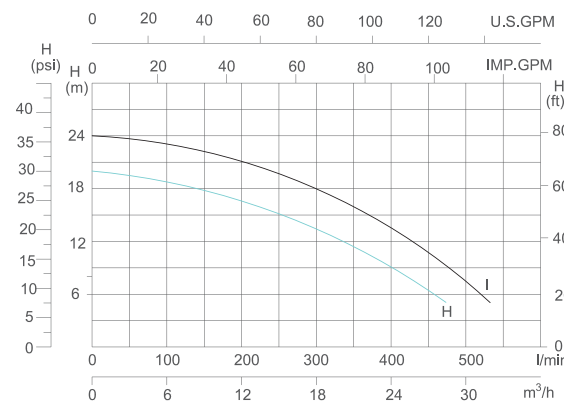
Quieter Operation



## FEATURED HIGHLIGHTS

- Drop-in replacement for well-know brand pumps.
- Oversized strainer basket extends time between cleanings.
- See-through lid makes inspection fast and easy-engineered polymer remains clear and strong for years.
- Heavy-duty, high performance motor with airflow ventilation for quieter, cooler operation .
- Energy-efficient motor with rustproof stainless steel shaft and permanently lubricated, sealed bearings for long life.
- Ideal for pool and spa combinations and for operating in-floor cleaning systems.
- Port size 2 Inch.

## PERFORMANCE CURVES

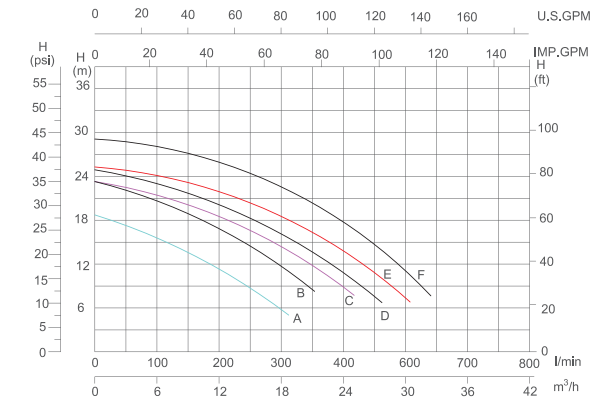


## EU ORDER GUIDE

Energy Efficient Single Speed Full Rated 56 Frame - CE

MODEL NUMBER	MOTOR MODEL	VOLTAGE	HERTZ	FULL LOAD AMPS	FLOWRATE M <sup>3</sup> /H	OUTPUT POWER HP	PORT SIZE INCH	NET WT. KGS	CURVE KEY
72578	6420	220-240	50	8.5	26.5	2	2	18.3	H
72579	6421	220-240	50	13.5	31	3	2	20.3	I

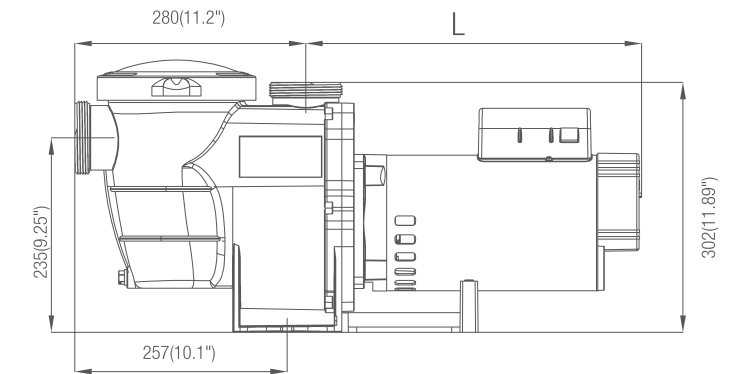
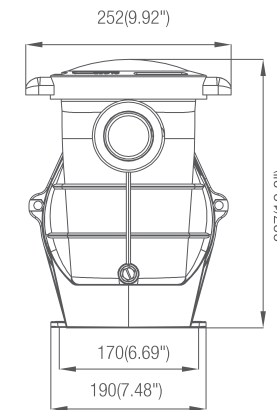
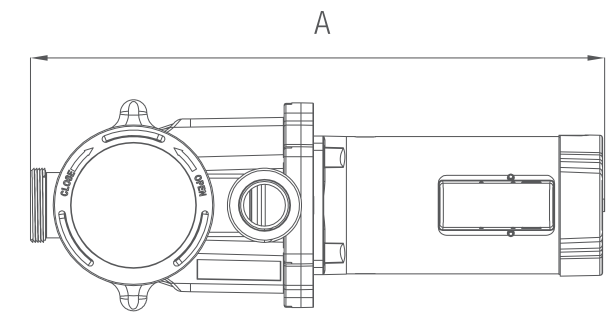
## PERFORMANCE CURVES



## DIMENSIONS

Units: MM (IN)

MODEL	L	A
72578	406(15.98")	686(27")
72579	406(15.98")	686(27")
72783	366(14.41")	646(25.43")
72784	366(14.41")	646(25.43")
72785	366(14.41")	646(25.43")
72786	406(15.98")	686(27")
72787	406(15.98")	686(27")
72788	406(15.98")	686(27")



## US ORDER GUIDE

Energy Efficient Single Speed Full Rated 56 Frame - ETL

MODEL NUMBER	MOTOR MODEL	VOLTAGE	HERTZ	FULL LOAD AMPS	FLOWRATE GPM	OUTPUT POWER HP	PORT SIZE INCH	NET WT. LBS.	CURVE KEY
72783	6301	115/230	60	8.9/4.5	69.6	0.5	2	32.5	A
72784	6302	115/230	60	13.5/6.7	81.7	0.75	2	35	B
72785	6303	115/230	60	15.0/7.4	89	1	2	37.8	C
72786	6304	115/230	60	18.5/9.2	97	1.5	2	40.4	D
72787	6305	230	60	9.7	104.5	2	2	42.3	E
72788	6306	230	60	14.8	118.8	3	2	47.5	F

# FLYFLO<sup>®</sup>-S PUMPS

Developed using the most advanced engineering tools. Under typical operating conditions, the high performance pump offers the highest water flow of any high performance pump—yet with the lowest electricity consumption.



Energy Saving



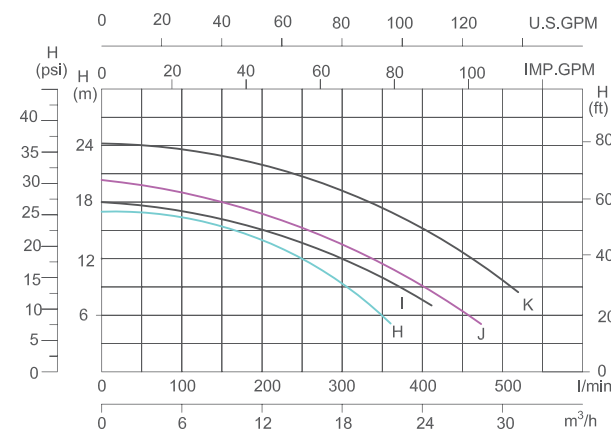
Quieter Operation



## FEATURED HIGHLIGHTS

- Drop-in replacement for well-know brand pumps, such as WHISPFO PUMPS.
- Hydraulic isolator separates priming water from pumping water for faster priming, more turbulent-free flow and increased efficiency.
- Oversized strainer basket extends time between cleanings.
- See-through lid makes inspection fast and easy-engineered polymer remains clear and strong for years.
- Advanced seals made of oxidation-resistant, self-retaining EPDM rubber for invreased durability and tighter seal.
- Energy-efficient motor with rustproof stainless steel shaft and permanently lubricated, sealed bearings for long life.
- Ideal for pool and spa combinations and for operating in-floor cleaning systems.
- Port size 2 Inch.

## PERFORMANCE CURVES

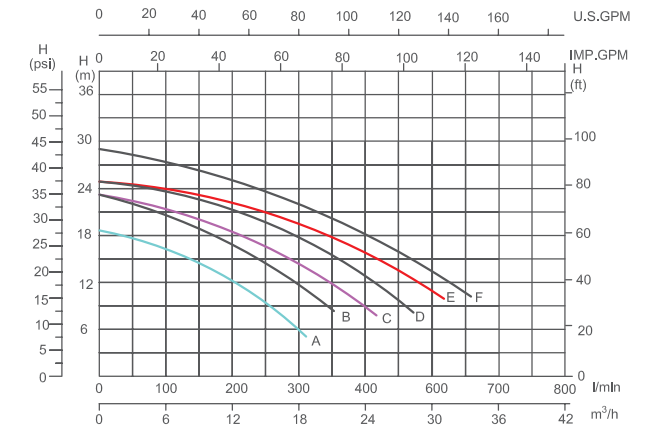


## EU ORDER GUIDE

Energy Efficient Single Speed Full Rated 56 Frame - CE

MODEL NUMBER	MOTOR MODEL	VOLTAGE	HERTZ	FULL LOAD AMPS	FLOWRATE M³/H	OUTPUT POWER HP	PORT SIZE INCH	NET WT. KGS	CURVE KEY
72574	6420	220-240	50	8.5	26.5	2	2	20	J
72575	6421	220-240	50	13.5	31	3	2	22.3	K
72576	6422	220-240	50	5	21.4	1	2	18	H
72577	6423	220-240	50	6.7	25.5	1.5	2	19	I

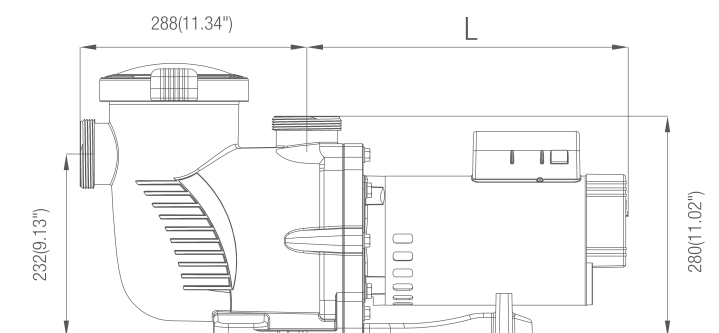
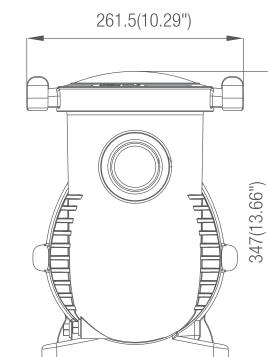
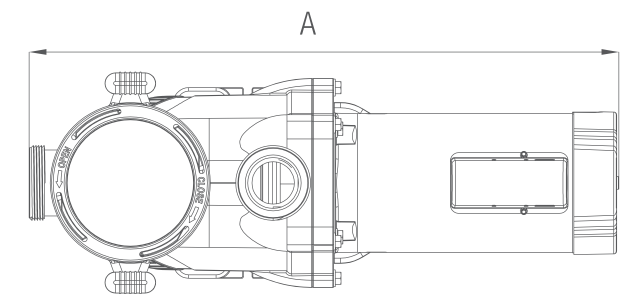
## PERFORMANCE CURVES



## DIMENSIONS

Units: MM (IN)

MODEL	L	A
72768	368(14.48")	656(25.82")
72769	368(14.48")	656(25.82")
72770	368(14.48")	656(25.82")
72771	408(16.06")	696(27.40")
72772	408(16.06")	696(27.40")
72773	408(16.06")	696(27.40")
72574	408(16.06")	696(27.40")
72575	408(16.06")	696(27.40")
72576	368(14.48")	656(25.82")
72577	408(16.06")	696(27.40")



## US ORDER GUIDE

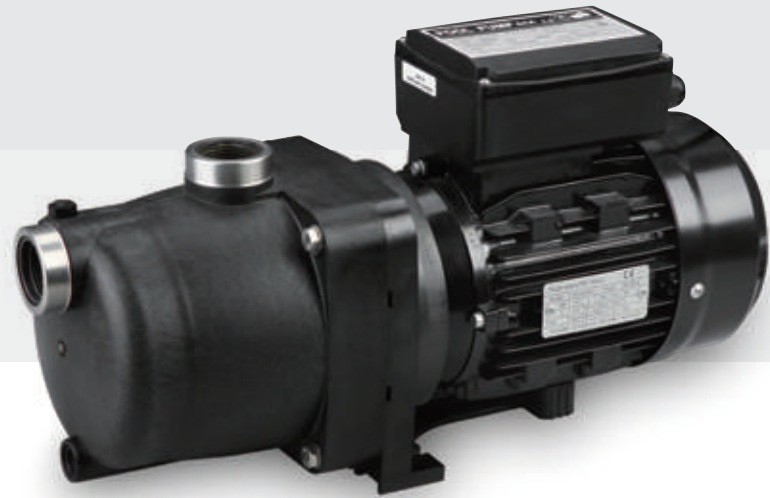
Energy Efficient Single Speed Full Rated 56 Frame - ETL

MODEL NUMBER	MOTOR MODEL	VOLTAGE	HERTZ	FULL LOAD AMPS	FLOWRATE GPM	OUTPUT POWER HP	PORT SIZE INCH	NET WT. LBS.	CURVE KEY
72768	6301	115/230	60	9.2/4.6	69	0.5	2	34.2	A
72769	6302	115/230	60	13.8/6.8	81	0.75	2	36.8	B
72770	6303	115/230	60	15.3/8.0	88	1	2	39.5	C
72771	6304	115/230	60	18.8/9.3	97	1.5	2	42.1	D
72772	6305	230	60	9.8	103	2	2	44	E
72773	6306	230	60	14.7	118	3	2	49.2	F



# BOOSTER PUMPS

Boost the efficiency of your pressure cleaner with the efficiency of Splash new booster pump. The pump greatly increases a cleaning systems ability to propel and circulate water, providing the power needed to thoroughly clean your pool. The Splash booster pump uses up to 25% less electricity than other booster pumps and is remarkably quiet. Suitable for any pressure cleaner .



## FEATURED HIGHLIGHTS

- Advanced impeller design cuts electricity use by up to 25%
- Takes up less space on the equipment pad
- Suitable for all pressure cleaners requiring a booster pump
- Stainless steel shaft with ceramic seals built inside
- Dual voltage 115/230 switchable
- inlet and outlet 1 inch
- Ideal replacement for all pressure-side Booster pumps
- Takes up less space on the equipment pad



Energy Saving

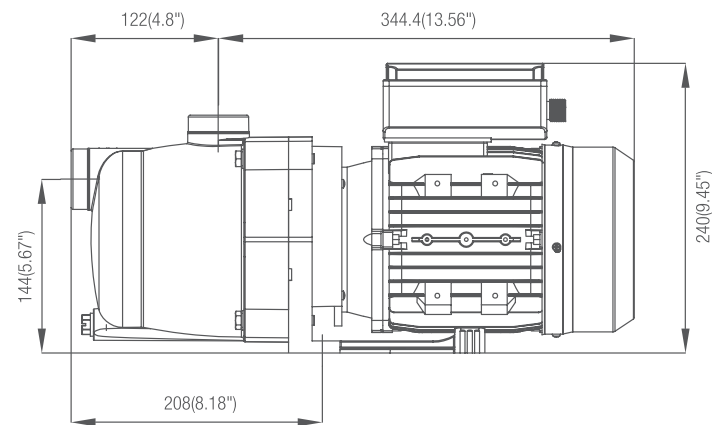
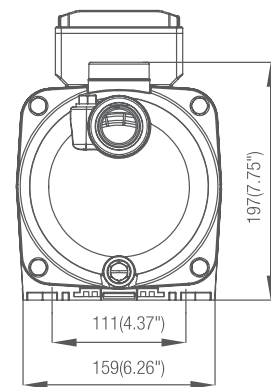
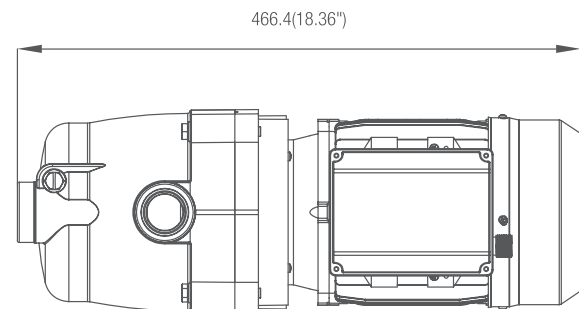
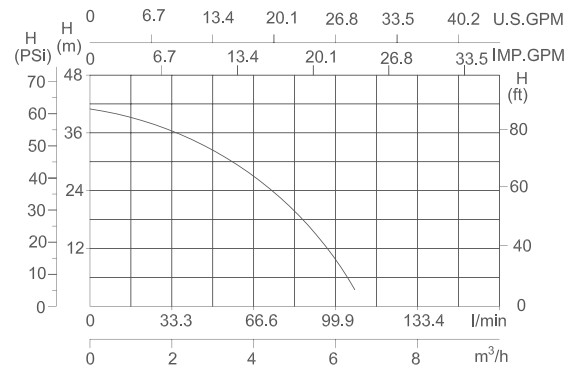


Quieter Operation



## PERFORMANCE CURVES AND DIMENSIONS

Units: MM (IN)



### EU ORDER GUIDE

Energy Efficient Single Speed Full Rated Boost Pump - CE

MODEL NUMBER	MOTOR MODEL	VOLTAGE	HERTZ	FULL LOAD AMPS	FLOWRATE M³/H	OUTPUT POWER HP	PORT SIZE INCH	NET WT. KGS
72552	6415	220-240	50	4	6.4	1	1	10.9



Energy Saving

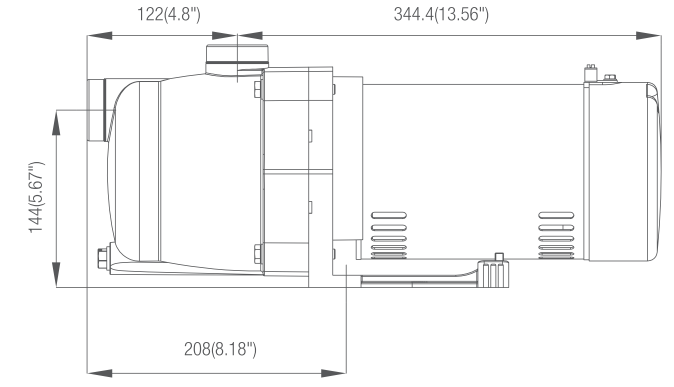
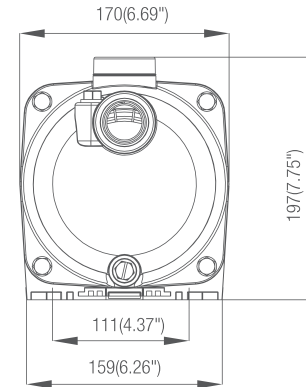
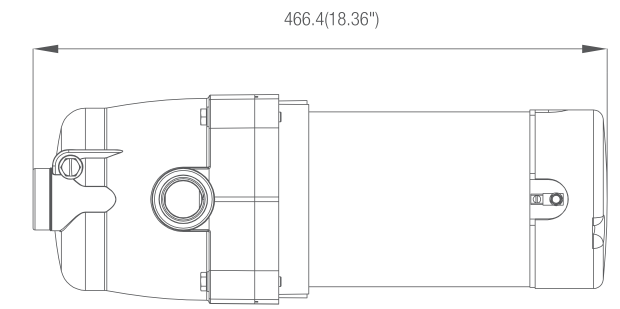
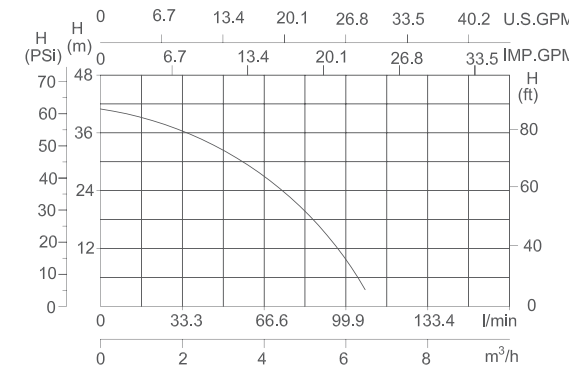


Quieter Operation



## PERFORMANCE CURVES AND DIMENSIONS

Units: MM (IN)



### US ORDER GUIDE

Energy Efficient Single Speed Full Rated Boost Pump - ETL

MODEL NUMBER	MOTOR MODEL	VOLTAGE	HERTZ	FULL LOAD AMPS	FLOWRATE GPM	OUTPUT POWER HP	PORT SIZE INCH	NET WT. LBS.
72760	6571	115/230	60	5.9/12	28	1	1	22

# POOL COVER PUMP

This pool cover pump removes standing water from pool covers and is ideal for household water transfer applications. It comes with a built in handle for portability and ease of placement and removal. The large base provides stability and prevents leaves and other debris from entering the pump.



Energy Saving



Quieter Operation



Cost-effective



Heavy Duty



## FEATURED HIGHLIGHTS

- Thermoplastic construction
- Hermetically sealed
- Handy handle
- Smooth running & quiet operation

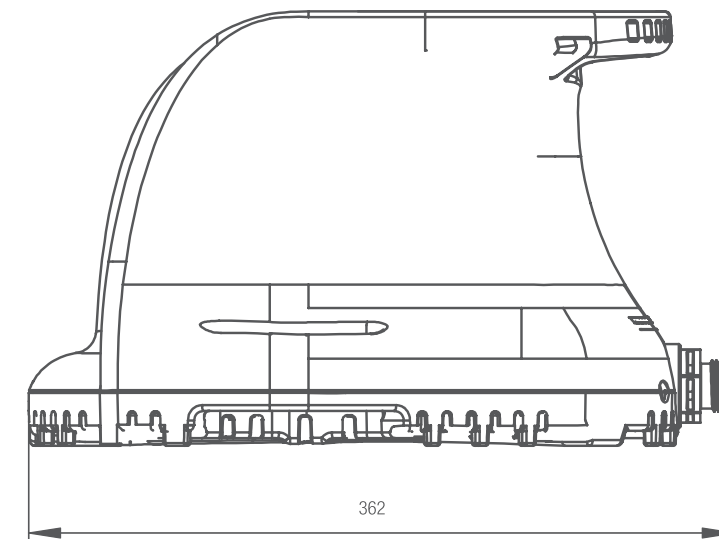
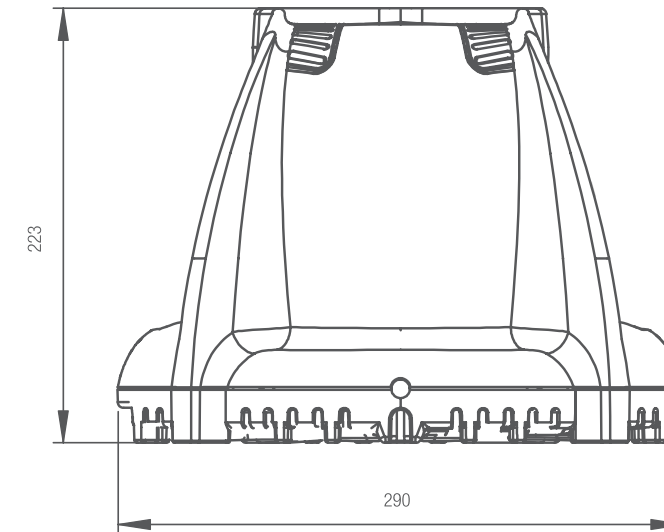
## EU ORDER GUIDE

Energy Efficient Single Speed Full Rated Cover Pump - CE

MODEL NUMBER	VOLTAGE	HERTZ	REVOLUTION (r/min)	OUTPUT POWER(W)	MAXIMUM RUNNING CURRENT(A)	FLOWRATE (M <sup>3</sup> /H)	LEVEL OF PROTECTION	CONDITIONS OF USAGE
72593	230	50	2850	190	0.83	3.9	IPX8	Environment Temperature 0~50°C 0°C < Water Temperature < 40°C

## DIMENSIONS

Units: MM (IN)



## US ORDER GUIDE

Energy Efficient Single Speed Full Rated Cover Pump - ETL

MODEL NUMBER	VOLTAGE	HERTZ	REVOLUTION (r/min)	OUTPUT POWER(W)	MAXIMUM RUNNING CURRENT(A)	FLOWRATE (GPM)	LEVEL OF PROTECTION	CONDITIONS OF USAGE
72793	115	60	3450	230	2.1	24.2	IPX8	Environment Temperature 0~50°C 0°C < Water Temperature < 40°C



# POOL FILTERS

All-weather performance  
Easier O&M  
Especially designed for both in-ground and above-ground pools



Remarkable cartridge, sand and D.E. pool filters offer hassle-free filtration experience.

# EASY CLEAN PLUS CARTRIDGE FILTER

The SPLASH Pro Series Plus satisfies the requirements of the most demanding installations, including pools installed with in-floor cleaning systems, spas, fountains or solar heating systems. Its spherical tank design evenly distributes the high pressure and stress associated with these applications, resulting in greater strength and longer life.



73119



All-weather performance



Easy Operation and Maintenance

## FEATURED HIGHLIGHTS

- Superior strength tank, made from extra durable glass reinforced co-polymer
- Four-cartridge design simplifies element removal and extends intervals between cleaning
- Single-piece base and body for strength, stability and years of dependable service
- Large drain for quick servicing
- Continuous internal air relief
- 2" full-flow internal piping and plumbing for less resistance to flow and maximum performance.

COLOR OPTIONS:  BEIGE  BLACK



73103

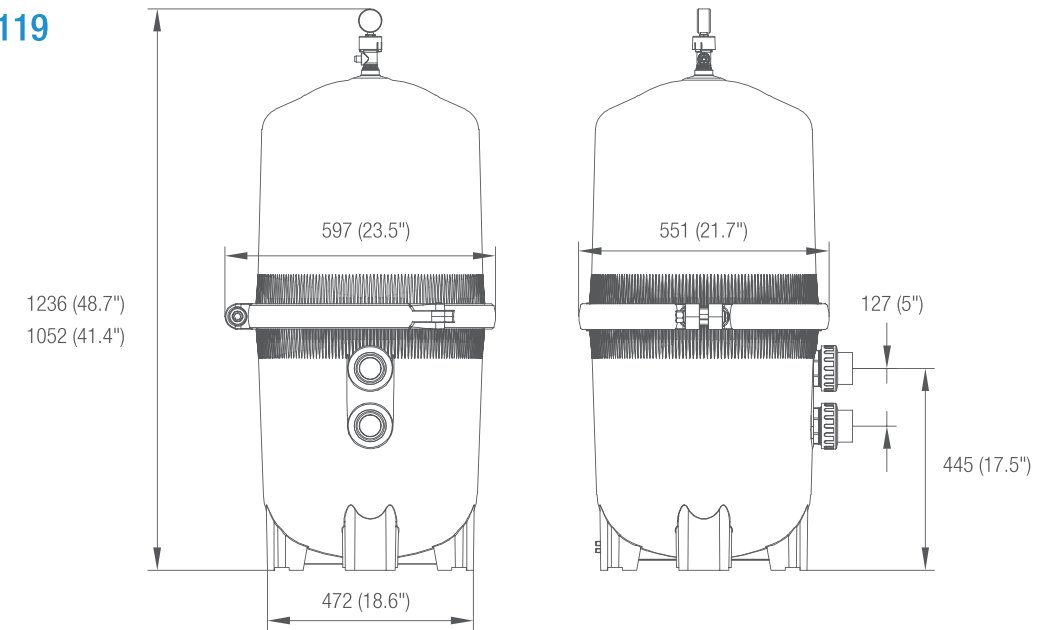
## 73119 ORDER GUIDE

MODEL NUMBER	EFFECTIVE FILTRATION AREA FT <sup>2</sup> (M <sup>2</sup> )	DESIGNED FLOW RATE GPM (M <sup>3</sup> /H)	TURNOVER GALLON (M <sup>3</sup> )		PORT SIZE INCH.	MAX. WORKING PSI (BAR)	NET WEIGHT LBS. (KGS.)
			8 HOURS	10 HOURS			
73119000	525 (48.77)	150 (34.1)	204000 (772.1)	255000 (965.2)	2"	50 (3.5)	66 (30)
73119100	425 (39.48)	150 (34.1)	252000 (218.0)	315000 (1305.8)	2"	50 (3.5)	75 (34.1)

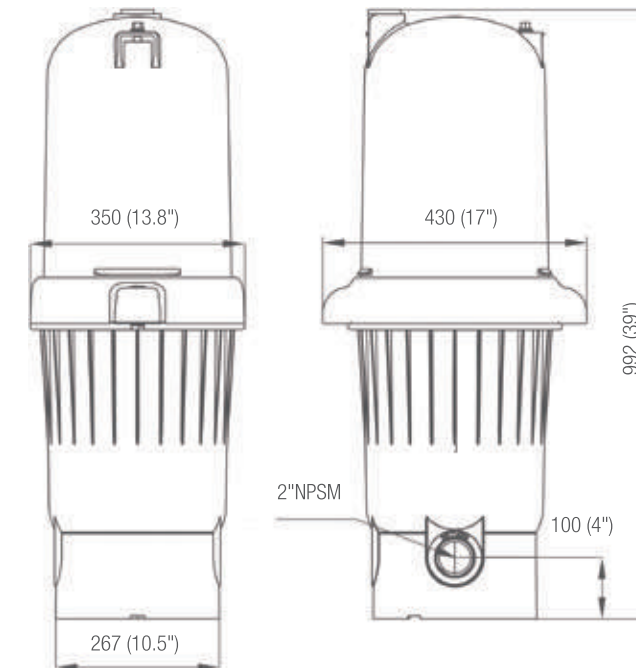
## DIMENSIONS

Units: MM (IN)

73119



73103



## 73103 ORDER GUIDE

MODEL NUMBER	EFFECTIVE FILTRATION AREA FT <sup>2</sup> (M <sup>2</sup> )	DESIGNED FLOW RATE GPM (M <sup>3</sup> /H)	TURNOVER GALLON (M <sup>3</sup> )		PORT SIZE INCH.	MAX. WORKING PSI (BAR)	NET WEIGHT LBS. (KGS.)
			8 HOURS	10 HOURS			
73103000	200 (18.58)	200 (45.4)	96000 (363.4)	120000 (454.2)	2"	50 (3.5)	24.7 (11.2)
73103001	120 (11.15)	120 (27.3)	57600 (218.0)	72000 (272.5)	2"	50 (3.5)	23.1 (10.5)
73103002	150 (13.94)	150 (34.1)	72000 (272.5)	90000 (340.7)	2"	50 (3.5)	23.8 (10.8)



# EASY CLEAN CRYSTAL CARTRIDGE FILTER

Our cartridge filters provide crystal clear water and have extra cleaning capacity to accommodate pools and spas of all types and sizes. The filter features a chemical resistant tank with no-tool servicing and a coreless cartridge for easier cleaning. Besides it has all the special features and quality that you would require. This allows you the satisfaction and enjoyment you deserve from your water feature.



## FEATURED HIGHLIGHTS

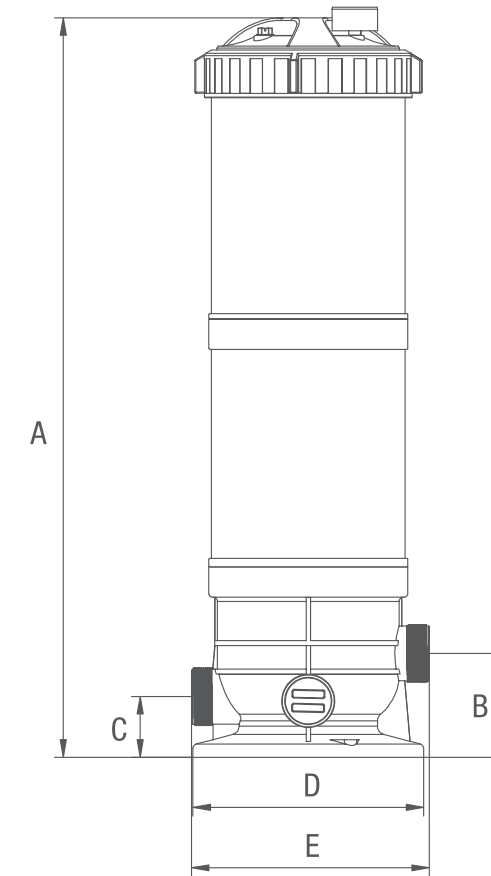
- Unionized connections
- Chemical resistant tank body
- Coreless cartridge for easy cleaning
- High flow manual air relief valve
- Extra-large cartridge element with new precision engineered extruded core provides extra-strength and maximum flow
- Elevated, filtered water collector and debris sump prevents accidental by-pass of heavy debris to pool when cartridge is removed for cleaning
- Filter accuracy of EASY CLEAN LINE: 50um

## ORDER GUIDE

MODEL NUMBER	EFFECTIVE FILTRATION AREA FT <sup>2</sup> (M <sup>2</sup> )	DESIGNED FLOW RATE GPM(M <sup>3</sup> /H)	TURNOVER GALLON(M <sup>3</sup> )		PORT SIZE INCH.	MAX. WORKING PSI(BAR)	NET WEIGHT LBS.(KGS.)	MODEL FOR REPLACEMENT ELEMENTS
			8HOURS	10 HOURS				
73110	25 (3.22)	25 (5.68)	12000 (45.4)	15000 (56.8)	1 1/2"	50 (3.5)	9.7 (4.4)	65022001000 φ7"xφ3"x9 13/16"
73111	35 (3.25)	35 (7.94)	16800 (63.6)	21000 (79.5)	1 1/2"	50 (3.5)	11.3 (5.1)	65022002000 φ7"xφ3"x14 13/16"
73112	50 (4.65)	50 (11.4)	24000 (90.8)	30000 (113.6)	1 1/2"	50 (3.5)	13.2 (6.0)	65022003000 φ7"xφ3"x19 5/8"
73113	70 (3.25)	70 (15.9)	33600 (127.2)	42000 (159.0)	1 1/2"	50 (3.5)	15.9 (7.2)	65022004000 φ7"xφ3"x25 1/2"
73114	100 (9.30)	100 (22.7)	48000 (181.7)	60000 (227.1)	1 1/2"	50 (3.5)	18.3 (8.3)	65022039031 φ7"xφ3"x32-5/16"
73115	120 (11.15)	120 (27.3)	57600 (218.0)	72000 (272.5)	1 1/2"	50 (3.5)	20.0 (9.1)	65022040031 φ7"xφ3"x36-3/4"

## DIMENSIONS

Units: MM (IN)



MODEL NUMBER	A	B	C	D	E
73110	460 (18.1")	120 (4.7")	70 (2.75")	266 (10.5")	276 (10.9")
73111	570 (22.4")	120 (4.7")	70 (2.75")	266 (10.5")	276 (10.9")
73112	708 (27.9")	120 (4.7")	70 (2.75")	266 (10.5")	276 (10.9")
73113	809 (31.8")	120 (4.7")	70 (2.75")	266 (10.5")	276 (10.9")
73114	999 (39.3")	120 (4.7")	70 (2.75")	266 (10.5")	276 (10.9")
73115	1099 (39.3")	120 (4.7")	70 (2.75")	266 (10.5")	276 (10.9")

# PRO SERIES PLUS TOP-MOUNT SAND FILTERS

The SPLASH Pro Series Plus satisfies the requirements of the most demanding installations, including pools installed with in-floor cleaning systems, spas, fountains or solar heating systems. Its spherical tank design evenly distributes the high pressure and stress associated with these applications, resulting in greater strength and longer life.



All-weather performance



Easy Operation and Maintenance



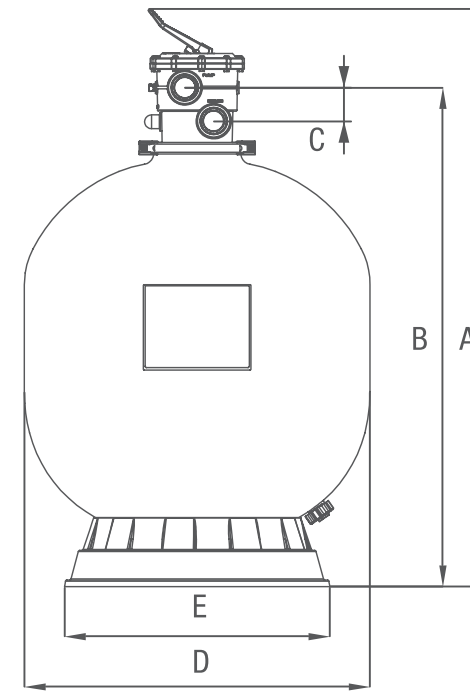
Energy Saving

## FEATURED HIGHLIGHTS

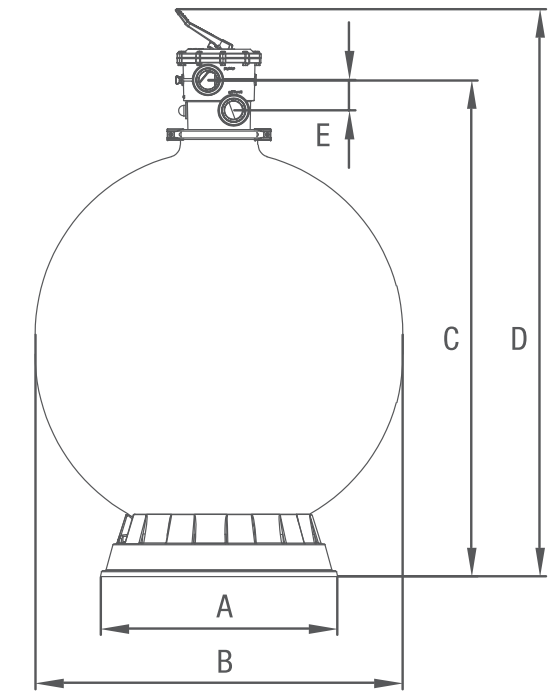
- Top diffuser ensures even distribution of water over the top of the sand media bed
- All internal piping is 2-Inch to give smooth, free-flowing performance
- Manual air relief purges any trapped air during operation of the filter system
- Unitized, corrosion-proof, spherical filter tank molded of rugged, colorfast reinforced thermoplastic for maximum strength and longer life
- Precision-engineered self-cleaning laterals for balanced flow and backwashing, plus easy serviceability

## DIMENSIONS

Units: MM (IN)



MODEL NUMBER	A	B
73080	978 (38.5")	843 (33.2")
C	D	E
782 (30.8")	571 (22.5")	480 (18.9")



MODEL NUMBER	A	B
73090	590 (36.6")	915 (36.0")
C	D	E
1220 (48.0")	1385 (54.5")	76 (3.0")

## ORDER GUIDE

MODEL NUMBER	FILTER Φ	DESIGNED FLOW RATE GPM(M <sup>3</sup> /H)	FILTER AREA FT <sup>2</sup> (M <sup>2</sup> )	SAND REQUIRED LB.(KG)	MAX. WORKING PRESSURE PSI(BAR)	VALVE
73080	31"	98 (22.3)	4.90 (0.46)	500 (227)	50 (3.5)	6-way 2"
73090	36"	130 (29.5)	6.50 (0.60)	700 (318)	50 (3.5)	6-way 2"



# PRO SERIES SAND FILTERS

SPLASH Pro Series high-rate sand filter are the latest in pool filter technology. Molded of durable, corrosion-proof polymeric material, Pro Series filters feature an advanced, self-cleaning lateral under drain system for smooth, efficient flow and totally balanced backwashing.

SPLASH Pro Series high-rate sand filters are the very latest in pool filter technology. Molded of durable, corrosion-proof polymeric material, they feature attractive, unitized tank construction for years of trouble-free operation with only minimal care.



All-weather performance



Easy Operation and Maintenance



## FEATURED HIGHLIGHTS

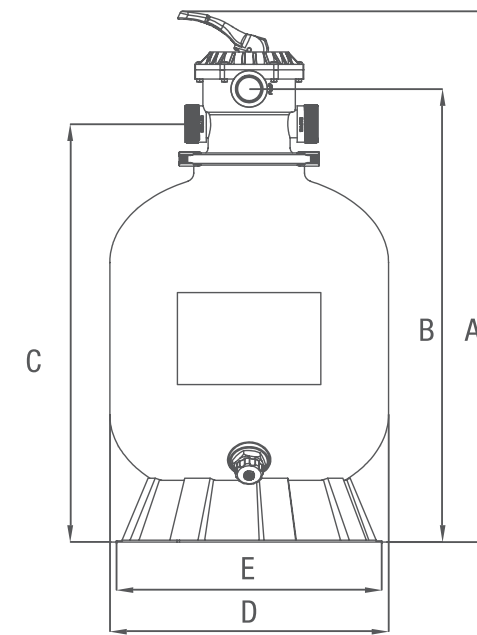
- Durable, corrosion-proof filter tank, all weather proof
- 7-position top valve provides maximum flow at lower pressure
- combined water and sand drain makes servicing and winterizing fast and easy
- Top diffuser ensures even distribution of water over the top of the sand media bed; which provides smooth, free-flowing performance
- Precision-engineered self-cleaning laterals for balanced flow and backwashing, plus easy serviceability

## ORDER GUIDE

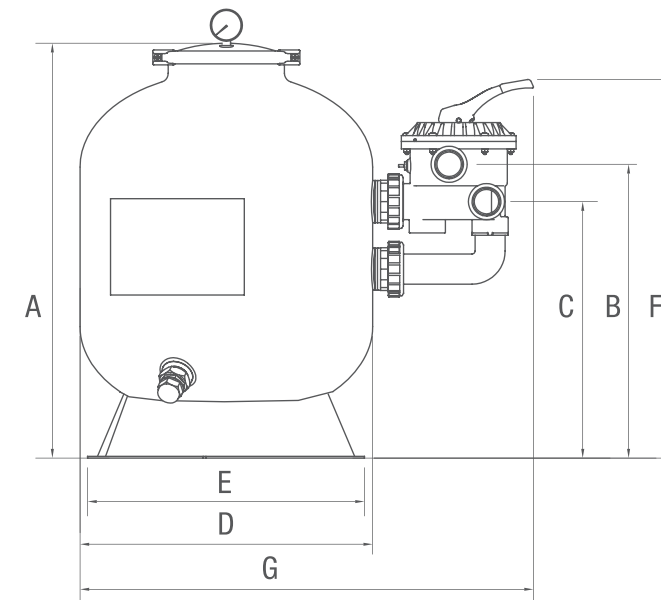
MODEL NUMBER	FILTER Φ	DESIGNED FLOW RATE GPM(M <sup>3</sup> /H)	FILTER AREA FT <sup>2</sup> (M <sup>2</sup> )	SAND REQUIRED IB.(KG)	MAX. WORKING PRESSURE PSI(BAR)	VALVE
73040	16"	35 (7.9)	1.4 (0.12)	100 (45)	50 (3.5)	6-way 1 1/2" TOP
73050	19"	42 (9.5)	2.1 (0.20)	175 (80)	50 (3.5)	6-way 1 1/2" TOP
73060	24"	62 (14.1)	3.1 (0.29)	300 (136)	50 (3.5)	6-way 1 1/2" TOP
73054	22"	52 (11.8)	2.6 (0.25)	250 (114)	50 (3.5)	6-way 1 1/2" TOP
73057	22.5"	54 (12.3)	2.7 (0.26)	280 (127)	50 (3.5)	6-way 1 1/2" TOP
73041	16"	35 (7.9)	1.35 (0.13)	100 (45)	50 (3.5)	6-way 1 1/2" SIDE
73051	19"	42 (9.5)	2.1 (0.20)	175 (79)	50 (3.5)	6-way 1 1/2" SIDE
73061	24"	72 (16.4)	3.14 (0.29)	300 (136)	50 (3.5)	6-way 1 1/2" SIDE

## DIMENSIONS

Units: MM (IN)



MODEL NUMBER	73040	73050	73054	73057	73060
A	810 (31.9")	930 (36.6")	975(38.4")	977(38.5")	1110 (43.7")
B	685 (27.0")	805 (31.7")	985(38.7")	987(38.9")	985 (38.8")
C	625 (24.6")	745 (29.3")	790(31.0")	792(31.2")	925 (36.4")
D	406 (16.0")	485 (19.0")	550(22.0")	570(22.5")	610 (24.0")
E	400 (15.8")	480(18.9")	480(18.9")	480(18.9")	480 (18.9")



MODEL NUMBER	73041	73051	73061
A	590 (23.2")	700 (27.5")	890 (35.0")
B	450 (17.7")	515 (20.3")	610 (24.0")
C	390 (15.3")	455 (18.0")	550 (21.6")
D	406 (16")	485 (19")	610 (24")
E	400 (15.8")	480 (18.9")	480(18.9")
F	580 (22.8")	650 (25.6")	750 (29.5")
G	676 (26.6")	755 (29.7")	880 (34.6")

# PRO SERIES SAND FILTERS

This SPLASH top-mount sand filter for in-ground swimming pools will provide you with hassle-free, effective filtration. The weather-proof tank is constructed of a tough, color-fast polymeric material and topped with a patented 7-position multi-port valve that features easy-to-use lever action.



All-weather performance



Easy Operation and Maintenance



Energy Saving

## FEATURED HIGHLIGHTS

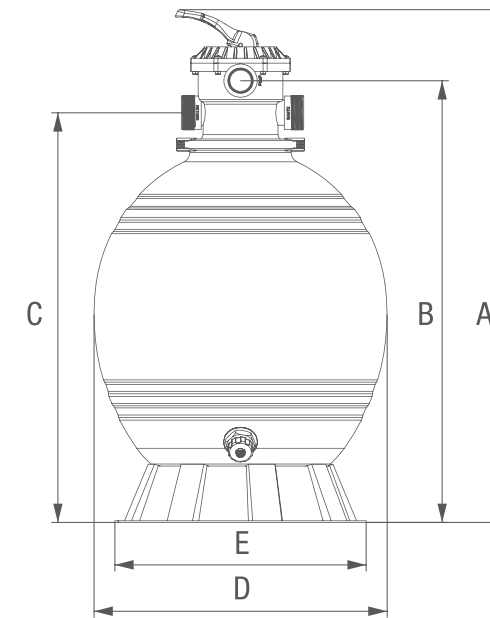
- Durable, corrosion-proof filter tank, all weather proof
- 7-position top valve provides maximum flow at lower pressure
- combined water and sand drain makes servicing and winterizing fast and easy
- Top diffuser ensures even distribution of water over the top of the sand media bed; which provides smooth, free-flowing performance
- Precision-engineered self-cleaning laterals for balanced flow and backwashing, plus easy serviceability

## ORDER GUIDE

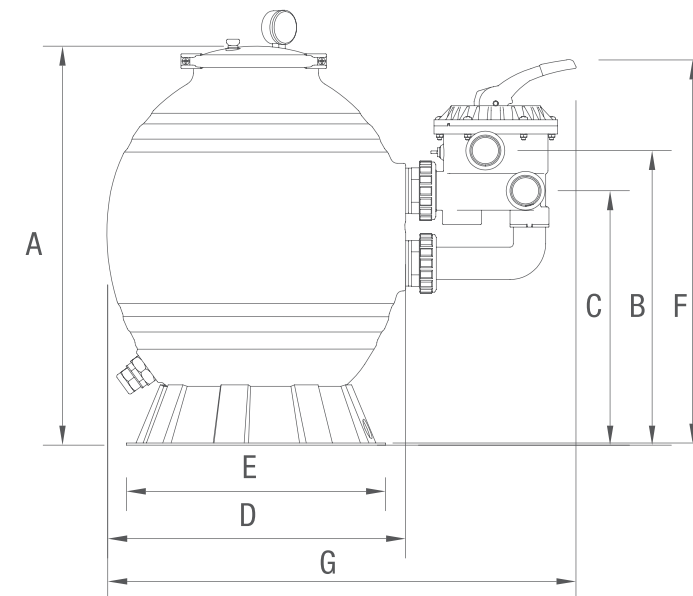
MODEL NUMBER	FILTER Φ	DESIGNED FLOW RATE GPM(M <sup>3</sup> /H)	FILTER AREA FT <sup>2</sup> (M <sup>2</sup> )	SAND REQUIRED IB.(KG)	MAX. WORKING PRESSURE PSI(BAR)	VALVE
73045	18"	35 (7.9)	1.80 (0.17)	110 (50)	50 (3.5)	6-way 1 1/2" TOP
73055	22"	52 (11.8)	2.64 (0.25)	220 (100)	50 (3.5)	6-way 1 1/2" TOP
73065	26"	72 (16.4)	3.68 (0.34)	300 (136)	50 (3.5)	6-way 1 1/2" TOP
73046	18"	35 (7.9)	1.80 (0.17)	110 (50)	50 (3.5)	6-way 1 1/2" SIDE
73056	22"	52 (11.8)	2.64 (0.25)	220 (100)	50 (3.5)	6-way 1 1/2" SIDE
73066	26"	72 (16.4)	3.68 (0.34)	300 (136)	50 (3.5)	6-way 1 1/2" SIDE

## DIMENSIONS

Units: MM (IN)



MODEL NUMBER	73045	73055	73065
A	835 (33.0")	968 (38.0")	1120 (44.0")
B	710 (28.0")	843 (33.0")	990 (39.0")
C	650 (25.6")	783 (31.0")	920 (36.0")
D	450 (18.0")	560 (22.0")	660 (26.0")
E	400 (15.8")	480 (18.9")	480 (18.9")



MODEL NUMBER	73046	73056	73066
A	625 (24.6")	750 (29.5")	890 (35")
B	450 (17.7")	520 (20.5")	610 (24")
C	390 (15.3")	460 (18.1")	550 (21.6")
D	460 (18")	560 (22")	660 (26")
E	400 (15.8")	480 (18.9")	480 (18.9")
F	580 (22.8")	650 (25.6")	750 (29.5")
G	730 (28.7")	830 (32.7")	930 (36.6")



# COMPACT SERIES TOP-MOUNT SAND FILTERS

This series of sand filters is specially designed for above-ground pools and splash pools. It is high performance, totally corrosion-proof filter that blend superior flow characteristics and features with ease of operation. The filters will provide crystal clear water with minimal care.



All-weather performance



Easy Operation and Maintenance



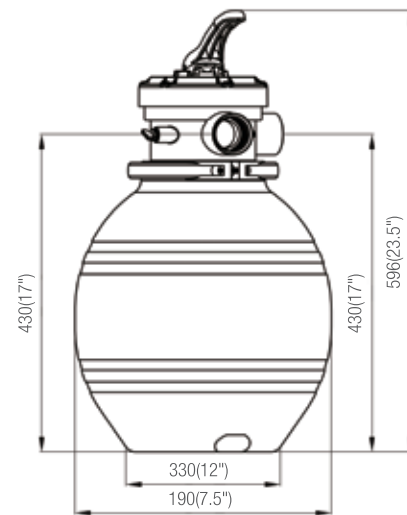
Energy Saving

## FEATURED HIGHLIGHTS

- Flange clamp design allows any rotation of valve to plumbing
- Integral top diffuser ensures even distribution of water over the top of the sand media bed, which provides smooth, free flowing performance
- Unitized, corrosion-proof filter tank molded of rugged polymeric material for dependable, all-weather performance
- Designed drain for rapid winterizing or servicing
- Precision engineered self cleaning laterals for balanced flow, backwashing and easy serviceability

# COMPACT SAND FILTERS 12" CLASSIC

**DIMENSIONS**  
Units: MM (IN)

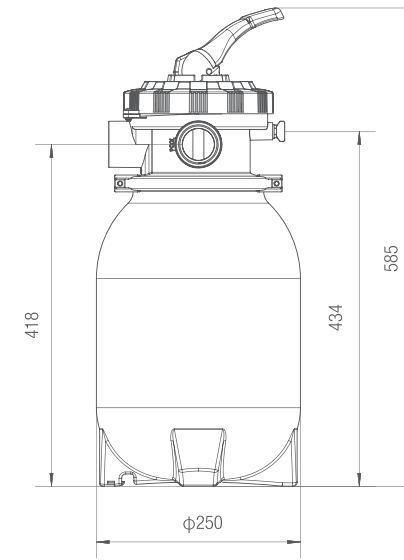


## ORDER GUIDE

MODEL NUMBER	FILTER Φ	DESIGNED FLOW RATE GPM(M <sup>3</sup> /H)	FILTER AREA FT <sup>2</sup> (M <sup>2</sup> )	SAND REQUIRED IB.(KG)	MAX. WORKING PRESSURE PSI(BAR)	VALVE	FILTER DEFAULT COLOR	NET WEIGHT LBS.(KGS.)
73030	12"	25 (5.6)	0.78 (0.07)	42 (19)	36 (2.5)	4-Way	Blue	7.6 (3.5)

# COMPACT SAND FILTERS 10"

**DIMENSIONS**  
Units: MM (IN)

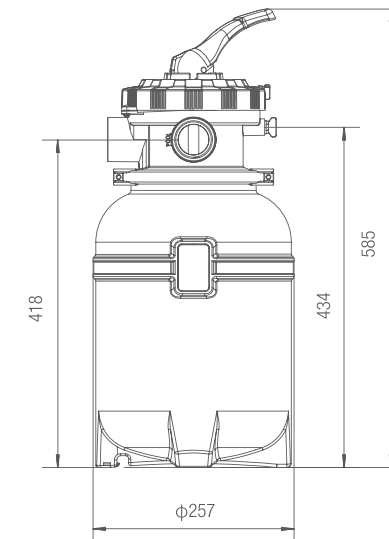


## ORDER GUIDE

MODEL NUMBER	FILTER Φ	DESIGNED FLOW RATE GPM(M <sup>3</sup> /H)	FILTER AREA FT <sup>2</sup> (M <sup>2</sup> )	SAND REQUIRED IB.(KG)	MAX. WORKING PRESSURE PSI(BAR)	VALVE	FILTER DEFAULT COLOR	NET WEIGHT LBS.(KGS.)
73042	10"	18 (4)	0.53 (0.05)	30 (13.6)	36 (2.5)	CIPU 6-Way	Black	7.7 (3.5)

# COMPACT SAND FILTERS 10" PLUS

**DIMENSIONS**  
Units: MM (IN)



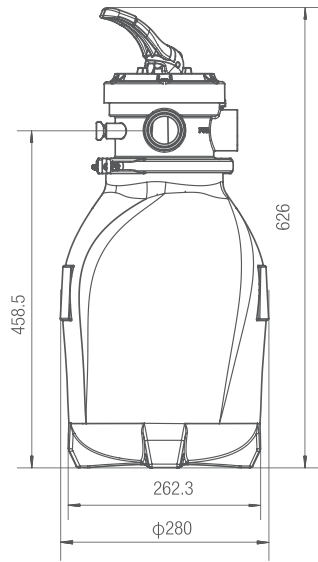
## ORDER GUIDE

MODEL NUMBER	FILTER Φ	DESIGNED FLOW RATE GPM(M <sup>3</sup> /H)	FILTER AREA FT <sup>2</sup> (M <sup>2</sup> )	SAND REQUIRED IB.(KG)	MAX. WORKING PRESSURE PSI(BAR)	VALVE	FILTER DEFAULT COLOR	NET WEIGHT LBS.(KGS.)
73043	10" plus	18 (4)	0.53 (0.05)	30 (13.6)	36 (2.5)	CIPU 6-Way	Cool Grey	7.7 (3.5)

## COMPACT SAND FILTERS 12" / 14" PLUS

### DIMENSIONS

Units: MM (IN)



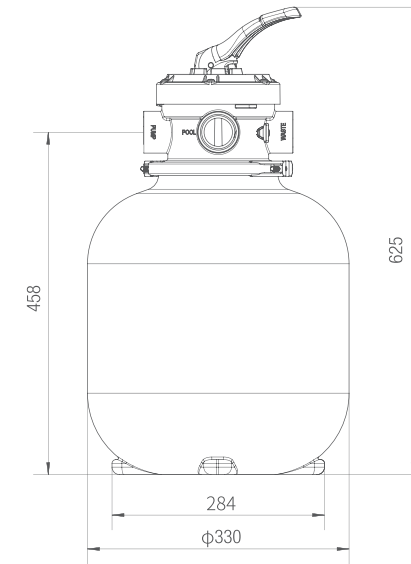
### ORDER GUIDE

MODEL NUMBER	FILTER Φ	DESIGNED FLOW RATE GPM(M <sup>3</sup> /H)	FILTER AREA FT <sup>2</sup> (M <sup>2</sup> )	SAND REQUIRED IB.(KG)	MAX. WORKING PRESSURE PSI(BAR)	VALVE	FILTER DEFAULT COLOR	NET WEIGHT LBS.(KGS.)
73033	12" plus	26.4 (6)	0.78 (0.07)	42 (19)	36 (2.5)	4-Way	Cool Grey	8.6 (3.9)
73036	14" plus	30 (6.8)	0.97 (0.09)	60 (27)	36 (2.5)	4-Way	Cool Grey	9.9 (4.5)

## COMPACT SAND FILTERS 14" CLASSIC

### DIMENSIONS

Units: MM (IN)



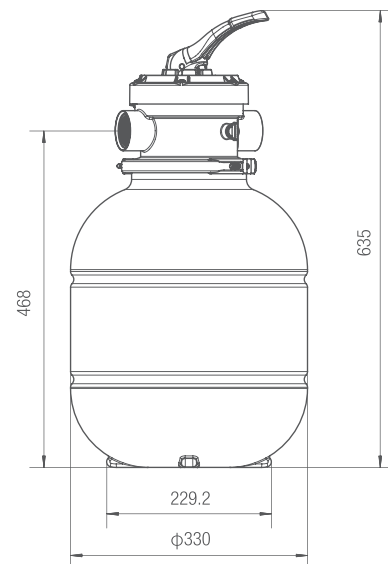
### ORDER GUIDE

MODEL NUMBER	FILTER Φ	DESIGNED FLOW RATE GPM(M <sup>3</sup> /H)	FILTER AREA FT <sup>2</sup> (M <sup>2</sup> )	SAND REQUIRED IB.(KG)	MAX. WORKING PRESSURE PSI(BAR)	VALVE	FILTER DEFAULT COLOR	NET WEIGHT LBS.(KGS.)
73035	14"	30 (7)	1.06 (0.1)	60(27)	36 (2.5)	4-Way	Warm Grey	8.4 (3.8)

## COMPACT SAND FILTERS 13"

### DIMENSIONS

Units: MM (IN)



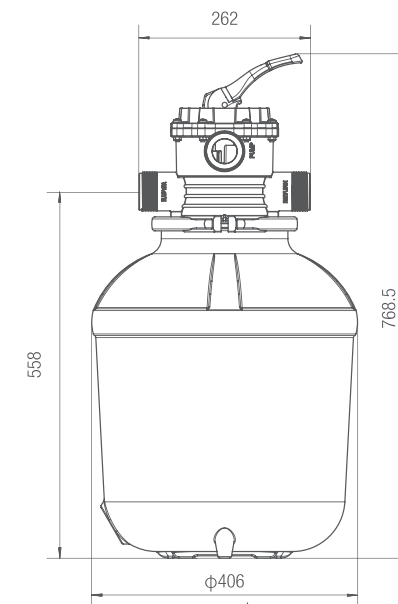
### ORDER GUIDE

MODEL NUMBER	FILTER Φ	DESIGNED FLOW RATE GPM(M <sup>3</sup> /H)	FILTER AREA FT <sup>2</sup> (M <sup>2</sup> )	SAND REQUIRED IB.(KG)	MAX. WORKING PRESSURE PSI(BAR)	VALVE	FILTER DEFAULT COLOR	NET WEIGHT LBS.(KGS.)
73032	13"	28.5 (6.4)	0.93 (0.085)	61 (27.5)	36 (2.5)	4-Way	Blue	8.1 (3.7)

## COMPACT SAND FILTERS 16" MINI

### DIMENSIONS

Units: MM (IN)



### ORDER GUIDE

MODEL NUMBER	FILTER Φ	DESIGNED FLOW RATE GPM(M <sup>3</sup> /H)	FILTER AREA FT <sup>2</sup> (M <sup>2</sup> )	SAND REQUIRED IB.(KG)	MAX. WORKING PRESSURE PSI(BAR)	VALVE	FILTER DEFAULT COLOR	NET WEIGHT LBS.(KGS.)
73039	16" mini	36.5 (8.3)	1.35 (0.125)	132 (60)	36 (2.5)	PP 6-Way Valve	Cool Grey	12.8 (5.8)



# AVAILABLE VALVES FOR COMPACT SAND FILTER SERIES

## FEATURED HIGHLIGHTS

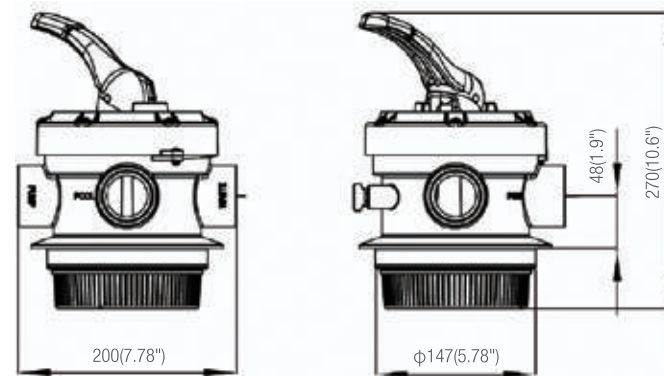
### 4-WAY VALVE FUNCTIONS

- BACKWASH – For cleaning filter sand bed of accumulated debris
- RINSE – Use after completing backwash cycle to ensure all dirty water is rinsed out of the filter to waste
- FILTER – For normal filtering and regular vacuuming
- WINTER – For winterizing
- CLOSED – Shuts off the flow from the pump to the filter

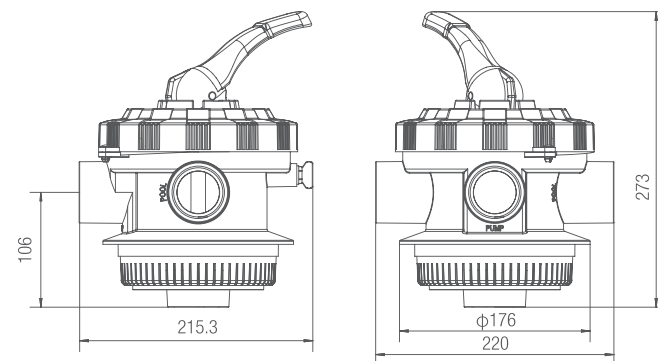
### ADDITIONAL FUNCTIONS FOR 7-WAY VALVE

- WASTE – By-passes the filter for draining or lowering pool water level and for vacuuming heavy debris directly to waste line
- RECIRCULATE – Water is recirculate through the valve, bypassing the filter.

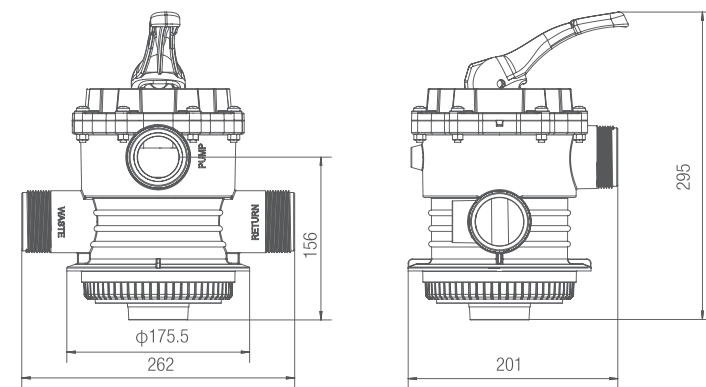
### 647303071001 4-Way Valve



### 647304271000 CIPU 6-Way Valve

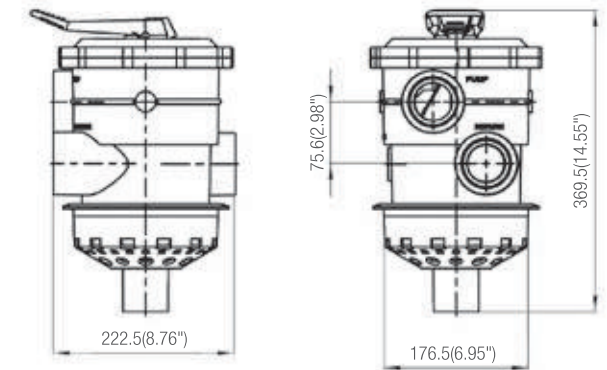


### 647303971000 PP 6-Way Valve

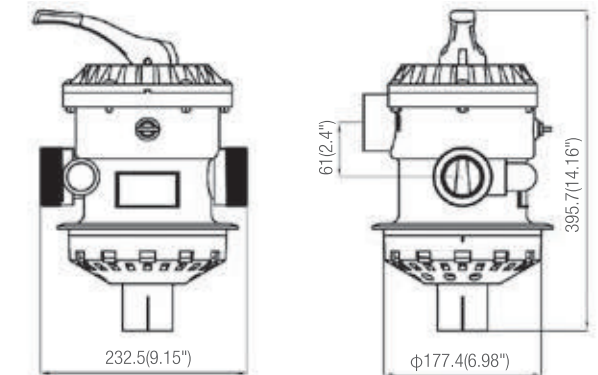


# REPLACEMENT VALVES FOR SAND FILTER SERIES

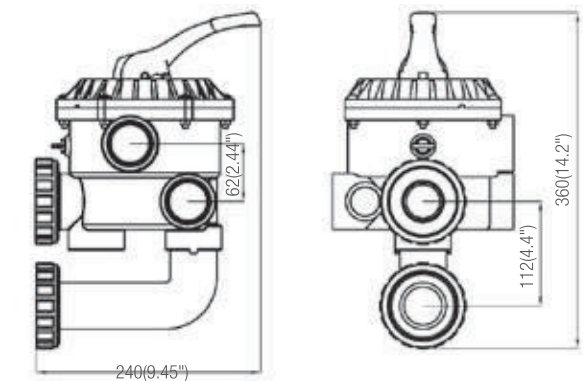
### 647309071 2" 6-Way Valve



### 647304071 1.5" 6-Way Valve



### 647304171 1.5" 6-Way Side Valve





# FILTRATION SYSTEM

With different types of filter  
and a performance matched pump  
ready for installation



Remarkable cartridge, sand and D.E. pool  
filtration system offer dependable all-weather  
performance, easier maintenance and amazing  
water quality.



# PRO SERIES TOP-MOUNT SAND FILTER SYSTEM



All-weather performance



Easy Operation and Maintenance



Energy Saving

## FEATURED HIGHLIGHTS

- Systems are designed for quick assembly and precise alignment of components
- Pumps and filters are performance-matched to provide maximum flow and energy efficiency
- Optional microprocessor pump timer available
- Optional with or without pre-filter
- Filter bases are molded of rugged plastic for long-lasting, all weather performance 7-position valve provides maximum flow at low pressure drop

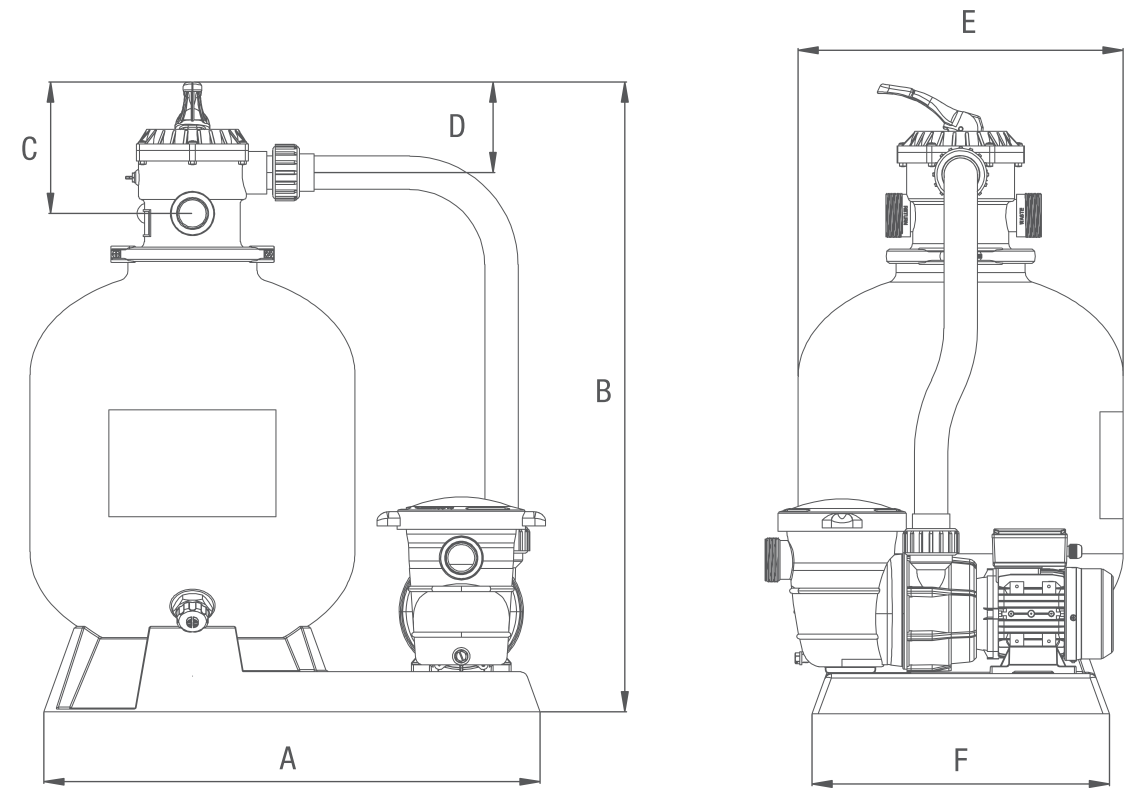
## ORDER GUIDE

### Sand Filter System with CE Pump

MODEL NUMBER	FILTER Φ	DESIGNED FLOW RATE M <sup>3</sup> /H	PUMP /HP	VOLTAGE /HERTZ	VALVE	NET WEIGHT KGS
72027	73040/16"	14	72527/0.5 hp	230/50	6-way	18.5
72028	73050/19"	15	72528/0.75 hp	230/50	6-way	22.5
72029	73060/24"	16	72529/1.0 hp	230/50	6-way	27
72041	73040/16"	9	72515/0.35 hp	230/50	6-way	14.2
72042	73050/19"	15	72542/0.75 hp	230/50	6-way	22.5
72043	73060/24"	18	72543/1.0 hp	230/50	6-way	30

## DIMENSIONS

Units: MM (IN)



MODEL NUMBER	A	B	C	D	E	F
72027 / 72041	742 (29.2")	848 (33.4")	185 (7.28")	125 (4.92")	400 (16")	445 (17.5")
72028 / 72042	742 (29.2")	930 (37.4")	185 (7.28")	125 (4.92")	500 (19")	445 (17.5")
72029 / 72043	742 (29.2")	1130 (45.5")	185 (7.28")	125 (4.92")	600 (24")	445 (17.5")
72228 / 72241	742 (29.2")	848 (33.4")	185 (7.28")	125 (4.92")	400 (16")	445 (17.5")
72229 / 72242	742 (29.2")	930 (37.4")	185 (7.28")	125 (4.92")	500 (19")	445 (17.5")
72230 / 72243	742 (29.2")	1130 (45.5")	185 (7.28")	125 (4.92")	600 (24")	445 (17.5")

## ORDER GUIDE

### Sand Filter System with ETL Pump

MODEL NUMBER	FILTER Φ	DESIGNED FLOW RATE GPM	PUMP /HP	VOLTAGE /HERTZ	VALVE	NET WEIGHT LBS.
72228	73040/16"	60	72728/0.75 hp	115/60	6-way	42
72229	73050/19"	70	72729/1.0 hp	115/60	6-way	50
72230	73060/24"	83	72730/1.5 hp	115/60	6-way	64
72241	73040/16"	30	72715/0.35 hp	115/60	6-way	34
72242	73050/19"	70	72742/0.75 hp	115/60	6-way	49
72243	73060/24"	79	72743/1.0 hp	115&230/60	6-way	63

# PRO SERIES TOP-MOUNT SAND FILTER SYSTEM



All-weather performance



Easy Operation and Maintenance



Energy Saving

## FEATURED HIGHLIGHTS

- Systems are designed for quick assembly and precise alignment of components
- Pumps and filters are performance-matched to provide maximum flow and energy efficiency
- Filter bases are molded of rugged plastic for long-lasting, all weather performance 7-position valve provides maximum flow at low pressure drop

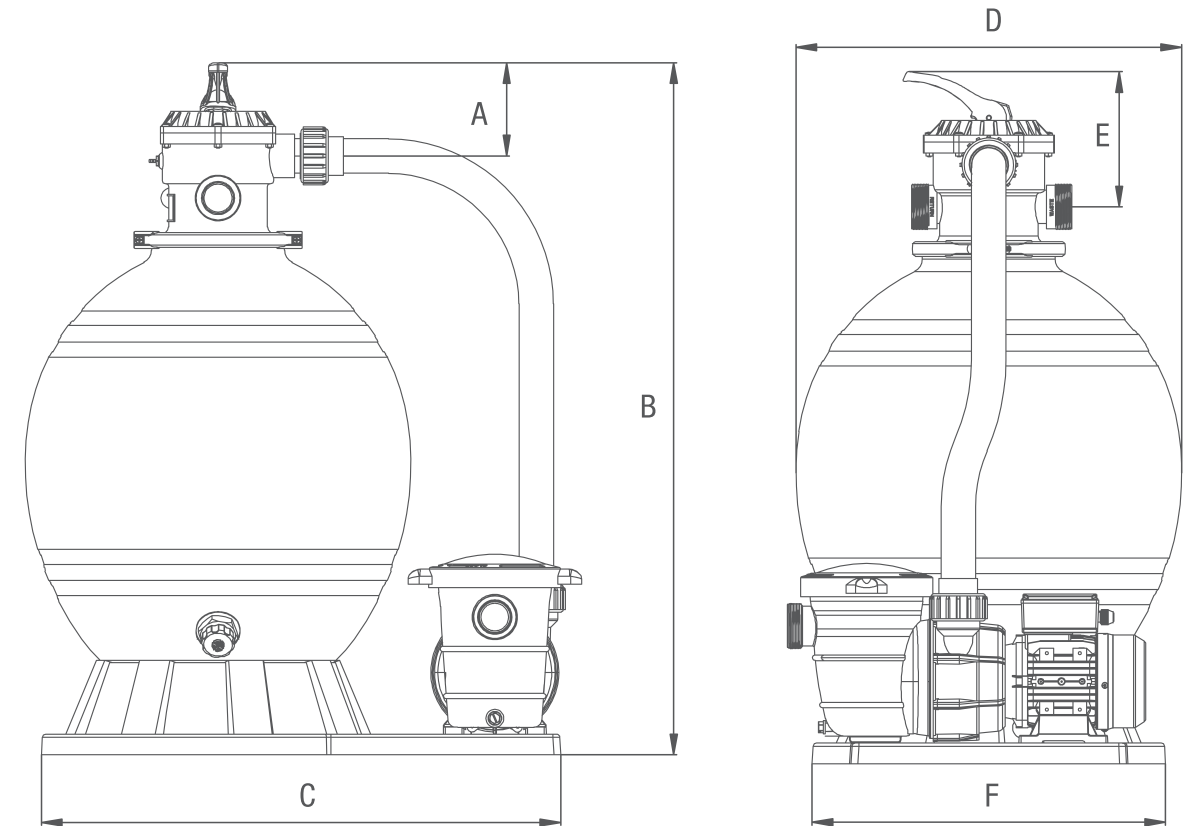
## ORDER GUIDE

### Sand Filter System with CE Pump

MODEL NUMBER	FILTER Φ	DESIGNED FLOW RATE M <sup>3</sup> /H	PUMP /HP	VOLTAGE /HERTZ	VALVE	NET WEIGHT KGS
72055	73045/18"	9	72515/0.35 hp	230/50	6-way	14.9
72058	73045/18"	15	72528/0.75 hp	230/50	6-way	23
72059	73055/22"	16	72529/1.0 hp	230/50	6-way	24.8
72060	73065/26"	17	72530/1.5 hp	230/50	6-way	30.8
72062	73045/18"	15	72542/0.75 hp	230/50	6-way	19.3
72063	73055/22"	18	72543/1.0 hp	230/50	6-way	25
72064	73065/26"	21	72544/1.5 hp	230/50	6-way	31

## DIMENSIONS

Units: MM (IN)



MODEL NUMBER	A	B	C	D	E	F
72055 / 72058 / 72062	125(4.92")	865(34")	752(29.6 ")	460(18")	185(7.28")	510(20")
72059 / 72063	125(4.92")	998(39.3")	752(29.6 ")	560(22")	185(7.28")	510(20")
72060 / 72064	125(4.92")	1150(45.3")	752(29.6 ")	660(26")	185(7.28")	510(20")

## ORDER GUIDE

### Sand Filter System with ETL Pump

MODEL NUMBER	FILTER Φ	DESIGNED FLOW RATE GPM	PUMP /HP	VOLTAGE /HERTZ	VALVE	NET WEIGHT LBS.
72255	73045/18"	40	72715/0.35 hp	115/60	6-way	33
72258	73045/18"	60	72728/0.75 hp	115/60	6-way	41.5
72259	73055/22"	70	72729/1.5 hp	115/60	6-way	51.5
72260	73065/26"	83	72730/1.5 hp	115/60	6-way	62.8
72262	73045/18"	70	72742/0.75 hp	115/60	6-way	42.6
72263	73055/22"	79	72743/1.0 hp	115/60	6-way	52
72264	73065/26"	88	72744/1.5 hp	115/230/60	6-way	66.7



# PRO SERIES TOP-MOUNT SAND FILTER SYSTEM



All-weather performance



Easy Operation and Maintenance



Energy Saving



## FEATURED HIGHLIGHTS

- Systems are designed for quick assembly and precise alignment of components
- Pumps and filters are performance-matched to provide maximum flow and energy efficiency
- Filter bases are molded of rugged plastic for long-lasting, all weather performance 7-position valve provides maximum flow at low pressure drop
- Filter system with double- insulated pump, CSA listed

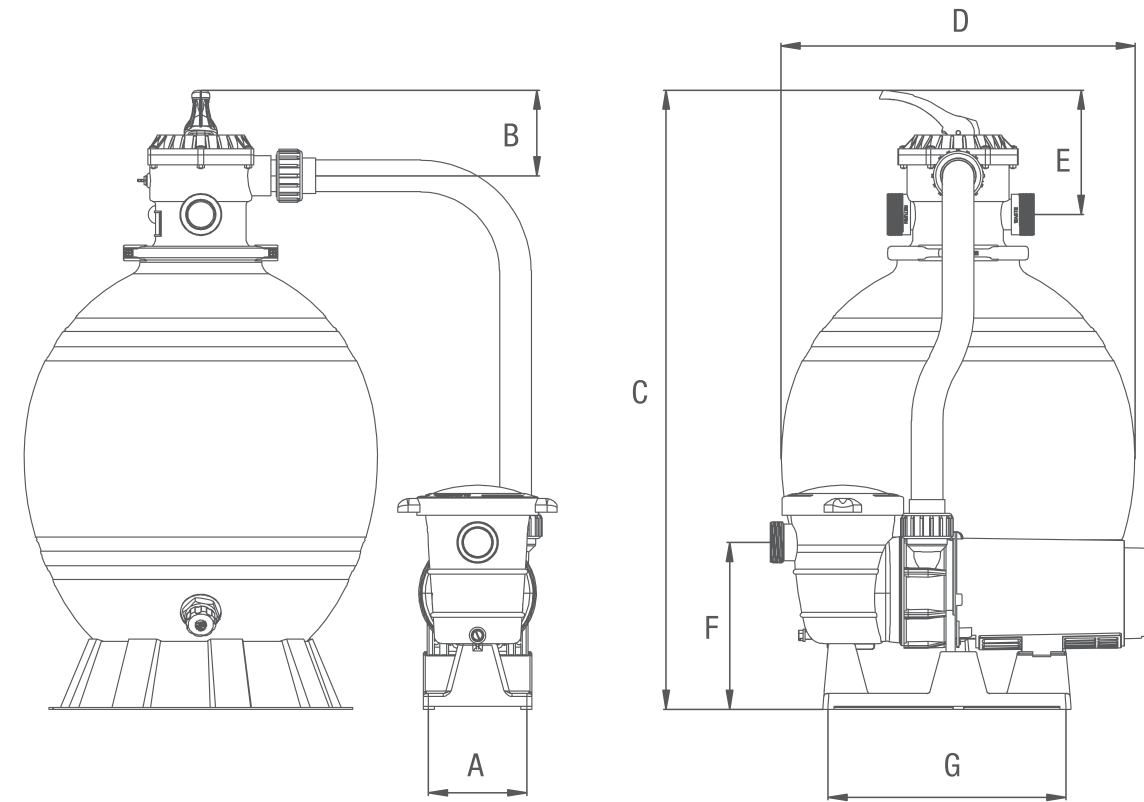
## ORDER GUIDE

### Sand Filter System with CSA Pump

MODEL NUMBER	FILTER Φ	DESIGNED FLOW RATE GPM	PUMP /HP	VOLTAGE /HERTZ	VALVE	NET WEIGHT LBS.
72251	73045/18"	60	72731/0.75 hp	115/60	6-way	40.3
72252	73055/22"	70	72732/1.0 hp	115/60	6-way	50.3
72253	73065/26"	83	72733/1.5 hp	115/60	6-way	61.7
72265	73055/22"	70	72745/0.75 hp	115/60	6-way	51.5
72266	73065/26"	80	72746/1.0 hp	115/60	6-way	65.1

## DIMENSIONS

Units: MM (IN)



MODEL NUMBER	A	B	C	D	E	F	G
72251	153(6.02")	125(4.92")	865(34")	460(18")	185(7.28")	355(14")	373(14.7")
72252/72265	153(6.02")	125(4.92")	998(39.3")	560(22")	185(7.28")	355(14") / 382(15")	373(14.7")
72253/72266	153(6.02")	125(4.92")	1150(45.3")	660(26")	185(7.28")	355(14") / 382(15")	373(14.7")

# TOP-MOUNT SAND FILTER SYSTEM



All-weather performance



Easy Operation and Maintenance



Energy Saving

## FEATURED HIGHLIGHTS

- Systems are designed for quick assembly and precise alignment of components
- Pumps and filter are performance-matched to provide maximum flow and energy efficiency
- Optional bases are molded of rugged plastic for long-lasting, all-weather performance 4-position valves provides maximum flow at low pressure drop

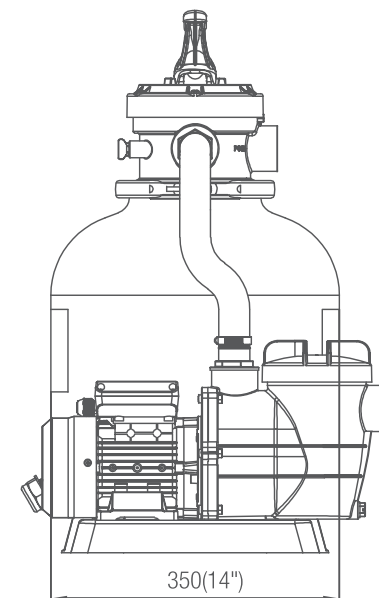
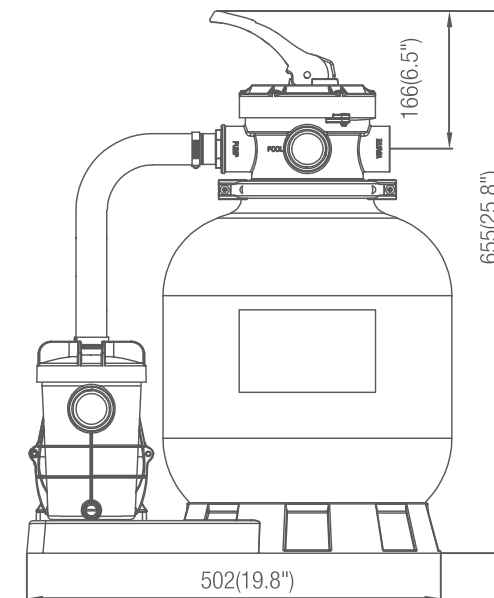
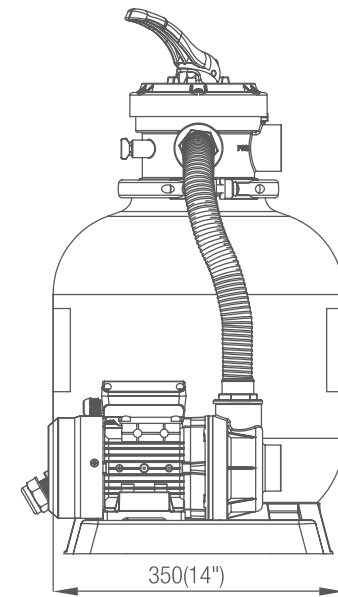
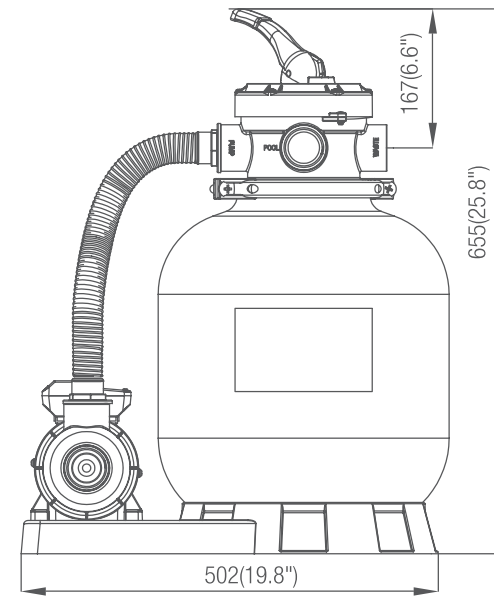
## ORDER GUIDE

### Sand Filter System with CE Pump

MODEL NUMBER	FILTER Φ	DESIGNED FLOW RATE M <sup>3</sup> /H	PUMP /HP	VOLTAGE /HERTZ	VALVE	NET WEIGHT KGS.
72018	73035/14"	7	72512/0.25 hp without pre-filter	230/50	4-way	8.6
72019	73035/14"	7	72513/0.25 hp with pre-filter	230/50	4-way	9.5
72020	73035/14"	10	72514/0.35 hp without pre-filter	230/50	4-way	9.5
72021	73035/14"	10	72515/0.35 hp with pre-filter	230/50	4-way	10.2

## DIMENSIONS

Units: MM (IN)



## ORDER GUIDE

### Sand Filter System with ETL Pump

MODEL NUMBER	FILTER Φ	DESIGNED FLOW RATE GPM	PUMP /HP	VOLTAGE /HERTZ	VALVE	NET WEIGHT LBS.
72218	73035/14"	35	72712/0.25 hp without pre-filter	115/60	4-way	18.5
72219	73035/14"	35	72713/0.25 hp with pre-filter	115/60	4-way	20.9
72220	73035/14"	44	72714/0.35 hp without pre-filter	115/60	4-way	20.5
72221	73035/14"	44	72715/0.35 hp with pre-filter	115/60	4-way	22.9



# EFFICIENT LINE TOP-MOUNT SAND FILTER SYSTEM



All-weather performance



Easy Operation and Maintenance



Energy Saving



## FEATURED HIGHLIGHTS

- Systems are designed for quick assembly and precise alignment of components
- Pumps and filters are performance-matched to provide maximum flow and energy efficiency
- Optional microprocessor pump timer available
- Optional with or without pre-filter
- Filter bases are molded of rugged plastic for long-lasting, all weather performance 4-position valve provides maximum flow at low pressure drop

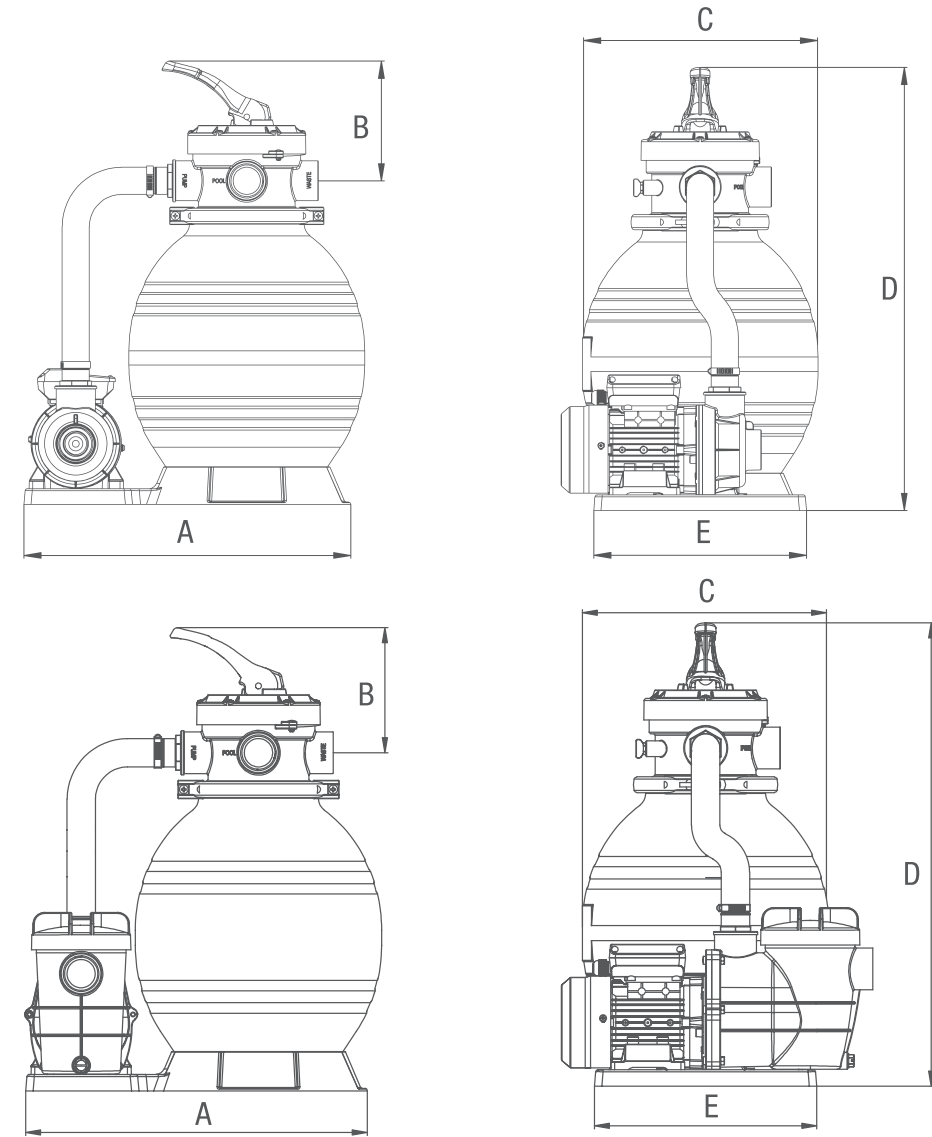
## ORDER GUIDE

### Sand Filter System with CE Pump

MODEL NUMBER	FILTER Φ	DESIGNED FLOW RATE M <sup>3</sup> /H	PUMP /HP	VOLTAGE /HERTZ	VALVE	NET WEIGHT KGS
72012	73030/12"	7	72512/0.25 hp without pre-filter	230/50	4-way	7.7
72013	73030/12"	7	72513/0.25 hp with pre-filter	230/50	4-way	9.2
72014	73030/12"	10	72514/0.35 hp without pre-filter	230/50	4-way	8.6
72015	73030/12"	10	72515/0.35 hp with pre-filter	230/50	4-way	9.8
72016	73030/12"	8	72516/0.25 hp with pre-filter and timer	230/50	4-way	8.8
72017	73030/12"	10	72517/0.35 hp with pre-filter and timer	230/50	4-way	10.3

## DIMENSIONS

Units: MM (IN)



A	B	C	D	E
458 (18")	166 (6.5")	304 (12")	621 (24.5")	298 (11.7")

## ORDER GUIDE

### Sand Filter System with ETL Pump

MODEL NUMBER	FILTER Φ	DESIGNED FLOW RATE GPM	PUMP /HP	VOLTAGE /HERTZ	VALVE	NET WEIGHT LBS.
72212	73030/12"	35	72712/0.25 hp without pre-filter	115/60	4-way	16.8
72213	73030/12"	35	72713/0.25 hp with pre-filter	115/60	4-way	19.2
72214	73030/12"	44	72714/0.35 hp without pre-filter	115/60	4-way	18.8
72215	73030/12"	44	72715/0.35 hp with pre-filter	115/60	4-way	21.1
72216	73030/12"	35	72716/0.25 hp with pre-filter and timer	115/60	4-way	19.4
72217	73030/12"	44	72717/0.35 hp with pre-filter and timer	115/60	4-way	20.9

# COMPACT SAND FILTERS SYSTEM 12" / 14" PLUS



All-weather performance



Easy Operation and Maintenance



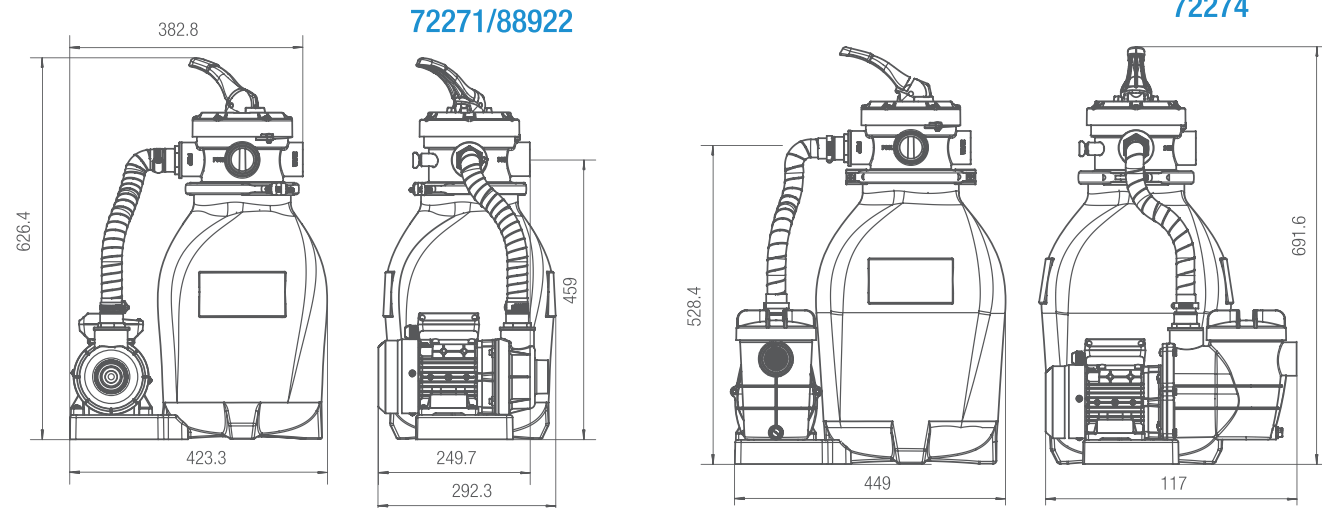
Energy Saving



72271/88922

72274

## DIMENSIONS Units: MM (IN)

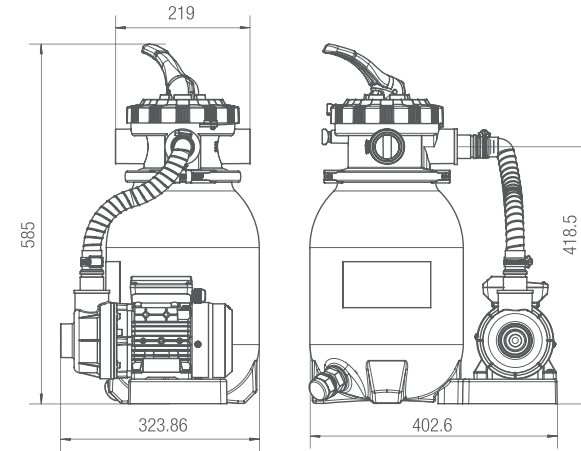


## ORDER GUIDE

MODEL NUMBER	FILTER $\Phi$	DESIGNED FLOW RATE GPM(M <sup>3</sup> /H)	PUMP MODEL	HP	VOLTAGE /HERTZ	VALVE	NET WEIGHT LBS.(KGS)
72271	73033/12" plus	26.4 (6)	72514 CE	0.35	220-240 / 50	4-way	18.9 (8.6)
88922	73033/12" plus	26.4 (6)	72714 ETL	0.35	115 / 60	4-way	18.9 (8.6)
72274	73036/14" plus	30 (6.8)	72721 ETL	0.5	115 / 60	4-Way	23.3 (10.6)

# COMPACT SAND FILTERS SYSTEM 10"

## DIMENSIONS Units: MM (IN)

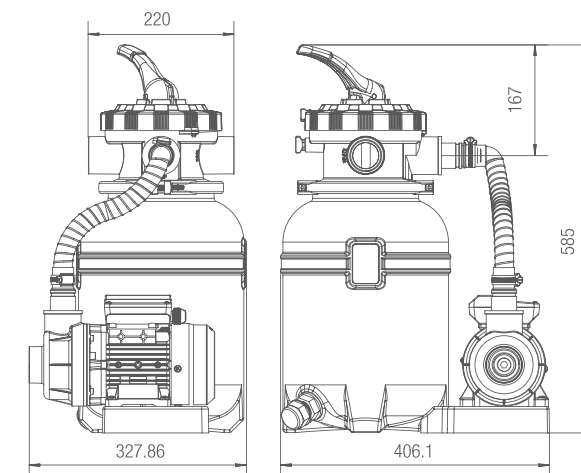


## ORDER GUIDE

MODEL NUMBER	FILTER $\Phi$	DESIGNED FLOW RATE GPM(M <sup>3</sup> /H)	PUMP MODEL	HP	VOLTAGE /HERTZ	VALVE	NET WEIGHT LBS.(KGS)
72006	73042/10"	18 (4)	72510 CE	0.2	220-240 / 50	CIPU 6-way valve	16 (7.3)

# COMPACT SAND FILTERS SYSTEM 10" PLUS

## DIMENSIONS Units: MM (IN)



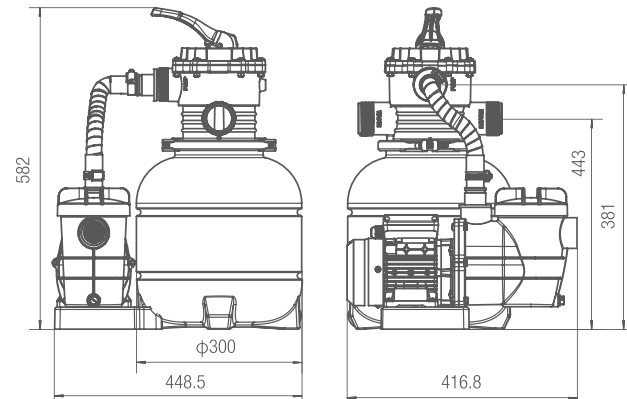
## ORDER GUIDE

MODEL NUMBER	FILTER $\Phi$	DESIGNED FLOW RATE GPM(M <sup>3</sup> /H)	PUMP MODEL	HP	VOLTAGE /HERTZ	VALVE	NET WEIGHT LBS.(KGS)
72007	73043/10" plus	18 (4)	72510 CE	0.2	220-240 / 50	CIPU 6-way valve	16 (7.3)



## COMPACT SAND FILTERS SYSTEM 12" MATE

**DIMENSIONS**  
Units: MM (IN)

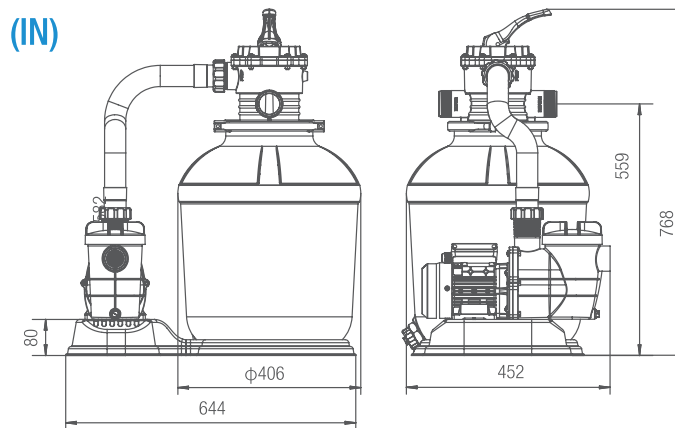


### ORDER GUIDE

MODEL NUMBER	FILTER Φ	DESIGNED FLOW RATE GPM(M <sup>3</sup> /H)	PUMP MODEL	HP	VOLTAGE /HERTZ	VALVE	NET WEIGHT LBS.(KGS)
72024	73091/12" mate	26.4 (6)	72513 CE	0.25	220-240 / 50	PP 6-Way Valve	19.8 (9)

## COMPACT SAND FILTERS SYSTEM 16" MINI

**DIMENSIONS**  
Units: MM (IN)

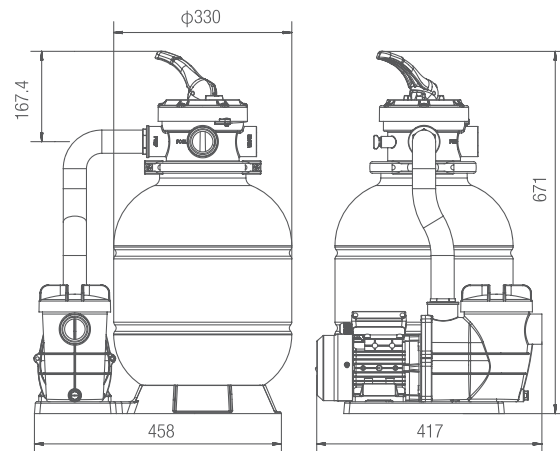


### ORDER GUIDE

MODEL NUMBER	FILTER Φ	DESIGNED FLOW RATE GPM(M <sup>3</sup> /H)	PUMP MODEL	HP	VOLTAGE /HERTZ	VALVE	NET WEIGHT LBS.(KGS)
72290000	73039/16" mini	36.5 (8.3)	72722 with timer ETL	0.5	115 / 60	PP 6-Way Valve	26.4 (12)
72290003	73039/16" mini	36.5 (8.3)	72521006 with timer CE	0.5	220-240 / 50	PP 6-Way Valve	26.8 (12.2)

## COMPACT SAND FILTERS SYSTEM 13"

**DIMENSIONS**  
Units: MM (IN)

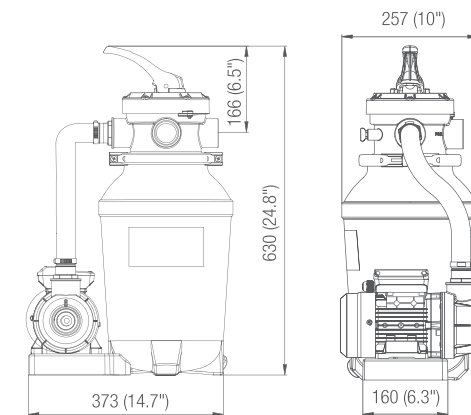


### ORDER GUIDE

MODEL NUMBER	FILTER Φ	DESIGNED FLOW RATE GPM(M <sup>3</sup> /H)	PUMP MODEL	HP	VOLTAGE /HERTZ	VALVE	NET WEIGHT LBS.(KGS)
72236000	73032/13"	28.5 (6.4)	72515 CE	0.35	115 / 60	4-way	20.9 (9.5)
72236002	73032/13"	30.8 (7)	72715 ETL	0.35	220-240 / 50	4-way	20.5 (9.3)

## SANDPRO SYSTEM TOP-MOUNT SAND FILTER SYSTEM

**DIMENSIONS**  
Units: MM (IN)



### ORDER GUIDE

MODEL NUMBER	FILTER Φ	DESIGNED FLOW RATE M <sup>3</sup> /H	PUMP /HP	VOLTAGE /HERTZ	VALVE	NET WEIGHT KGS
72005	73025/10"	8.4	72512/0.25hp CE	230/50	4-way	8.1
72023	73031/12.5"	9.0	72515/0.35 hp CE	230/50	4-way	9.7
72025	73038/15"	11.8	72521/0.5 hp CE	230/50	4-way	11

# EASY CLEAN LINE ABOVE GROUND CARTRIDGE FILTER SYSTEM



All-weather performance



Easy Operation and Maintenance



Energy Saving

## FEATURED HIGHLIGHTS

- Top-mounted pressure gauge are positioned for easy reading
- Removable cartridge element for quick, convenient cleaning
- Flow-balanced tank hydraulics direct water through each side of filter module. Uniform dirt-loading prevents clogging
- Complete system includes the filter and a performance matched pump that's ready for easy assembly on a tool-free platform
- Designed safety catch prevents over-tightening of the lid and efficiently secures the filter for high performance operation

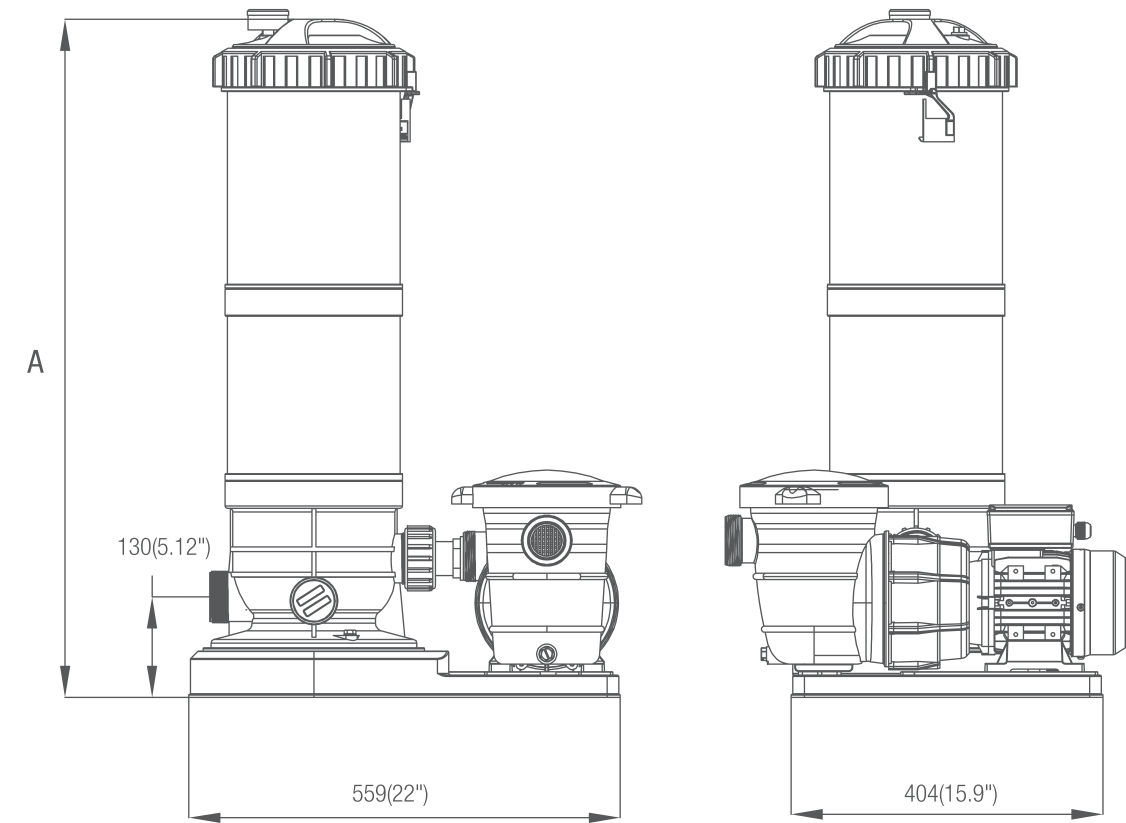
## EU ORDER GUIDE

### Cartridge Filter System with CE Pump

MODEL NUMBER	FILTERΦ FT <sup>2</sup>	DESIGNED FLOW RATE M <sup>3</sup> /H	PUMP /HP	VOLTAGE /HERTZ	CTN QTY	NET WEIGHT KGS
72110	73110/25	14	72527/0.5 hp	230/50	1	14.3
72111	73111/36	14	72527/0.5 hp	230/50	1	15.1
72112	73112/50	14	72527/0.5 hp	230/50	1	16.0
72113	73113/70	15	72528/0.75 hp	230/50	1	18.4

## DIMENSIONS

Units: MM (IN)



MODEL NUMBER	72110	72111	72112	72113	72310	72311	72312	72313
A	520 (20.5")	630 (24.8")	768 (30.2")	916 (36")	520 (20.5")	630 (24.8")	768 (30.2")	916 (36")

## US ORDER GUIDE

### Cartridge Filter System with ETL Pump

MODEL NUMBER	FILTERΦ FT <sup>2</sup>	DESIGNED FLOW RATE GPM	PUMP /HP	VOLTAGE /HERTZ	CTN QTY	NET WEIGHT LBS
72310	73110/25"	60	72728/0.75 hp	115/60	1	32.4
72311	73111/36"	60	72728/0.75 hp	115/60	1	34.5
72312	73112/50"	60	72728/0.75 hp	115/60	1	36.4
72313	73113/70"	70	72729/1.0 hp	115/60	1	40.9



# EASY CLEAN PLUS LINE IN GROUND CARTRIDGE FILTER SYSTEM



All-weather performance



Easy Operation and Maintenance



Energy Saving



## FEATURED HIGHLIGHTS

- Top-mounted pressure gauge are positioned for easy reading
- Removable cartridge element for quick, convenient cleaning
- Flow-balanced tank hydraulics direct water through each side of filter module. Uniform dirt-loading prevents clogging
- Complete system includes the filter and a performance matched pump that's ready for easy assembly on a tool-free platform
- Designed safety catch prevents over-tightening of the lid and efficiently secures the filter for high performance operation

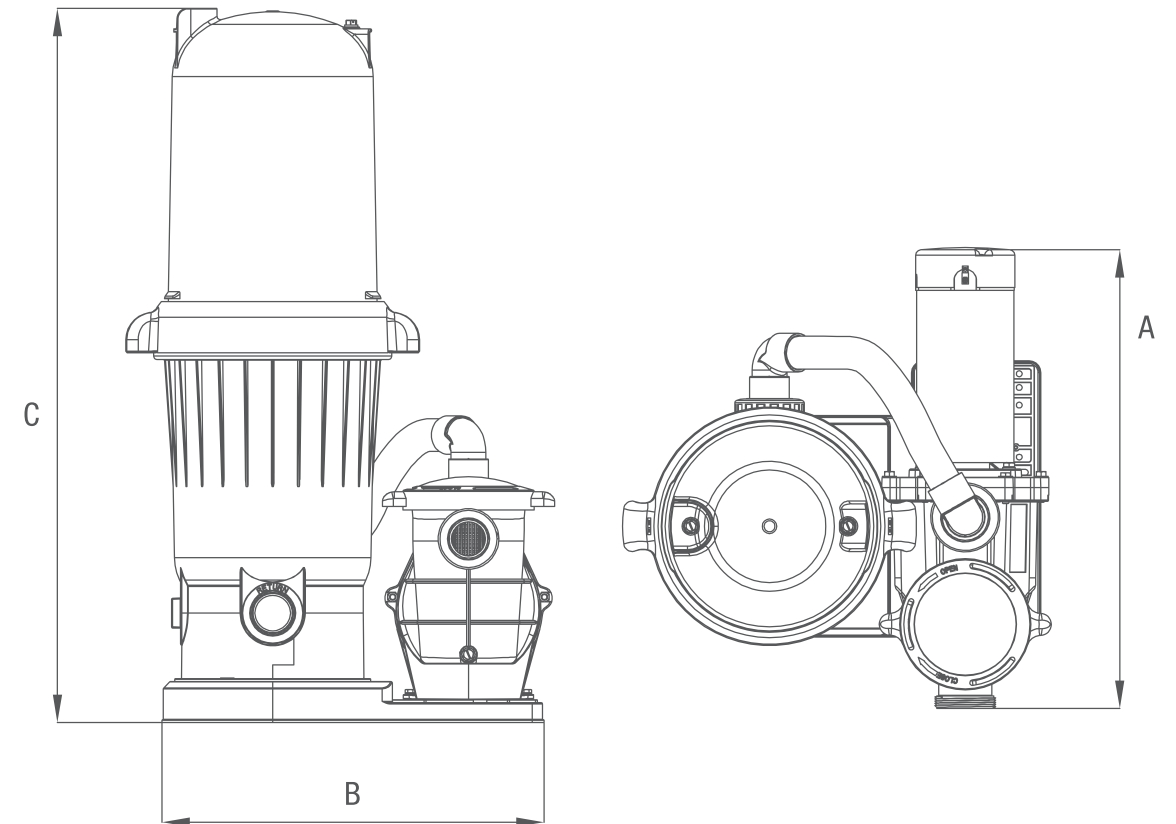
## ORDER GUIDE

### Sand Filter System with ETL Pump

MODEL NUMBER	FILTER Φ FT <sup>2</sup>	DESIGNED FLOW RATE GPM	PUMP /HP	VOLTAGE /HERTZ	NET WEIGHT LBS
72325	73103/200	83	72747/1.0 hp	115/230/60	35.2
72326	73103/200	97	72748/1.5 hp	115/230/60	39.5
72327	73103/200	79	72743/1.0 hp	115/230/60	30.4
72328	73103/200	88	72744/1.5 hp	115/230/60	35.2
72329	73103/200	79	72746/1.0 hp CSA	115/60	35.6

## DIMENSIONS

Units: MM (IN)



MODEL NUMBER	A	B	C
72325	620(25.2")	559(22")	1045(41.3")
72326	650(25.6")	559(22")	1045(41.3")
72327	560(22.1")	559(22")	1045(41.3")
72328	580(22.8")	559(22")	1045(41.3")
72329	627(24.7")	559(22")	1045(41.3")

# NEW GENERATION OF ROBOTIC POOL CLEANER

Much More Smarter / Efficient / Faster



SPLASH has a lineup of unique cleaners with proven, reliable technology. Our cleaners offer hassle-free and high efficient pool cleaning experience.



# ROBOTIC CLEANER

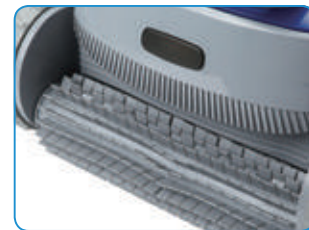
The SPLASH new generation robotic cleaner is a water treatment device specially designed for swimming pool dirt suction. It can effectively suck the hair, dead skin, leaves and other dirt that sink to the bottom of the pool. The benefit replacing manual cleaning can greatly save labor costs and maintenance time.



- Convenient handle
- All Around Cleaning
- Three motors
- Wall Climbing
- Smart Control
- Quick Cleaning
- APP Remote Control
- High Precision Filter Bag



Double filtration-filter basket plus cartridge



360 roller brush

## FEATURED HIGHLIGHTS

- 90 Degree climbing wall ability.
  - Perfect for all pool types.
  - Tangle-free cable allows the cleaner to move freely around the pool with ease.
  - Extra-large top loading filter basket traps leaves, dirt and debris, while also cleaning and circulating the water-leaving your pool sparkling clean in a quick 2 hours.
  - Interchangeable set of fine and ultra-fine filters, removes either rough or fine dirt and debris
  - Three cleaning model covers your entire pool – floor, walls and waterline
  - Tangle free cable. Keeps it safe, clean, and simple
  - LED light for visual effects
  - Advanced Smartphone APP makes an more convenient operation: Programmable daily, weekly, monthly timer  
Cleaning cycle selector  
Delayed start options  
Manual operation if available for your own driving.
- \* Swivel - Cable Tangle Prevention System is optional.

## ORDER GUIDE

MODEL NUMBER	IMPORT VOLTAGE	HERTZ	CURRENT AMPS	OUTPUT VOLTAGE	CABLE LENGTH METER	WORKING °C	RUNNING SPEED M/MIN.
73284000	110-120	60	5.6	24 V	17	10-35	12±0.5
73284100	200-240	50	5.6	24 V	17	10-35	12±0.5

# ROBOTIC CLEANER

## FEATURED HIGHLIGHTS

- Lightweight and easy-to-use.
- Quick Speed
- 90 Degree climbing wall ability
- Ideals for cleaning both above ground and In-ground pools
- The cycles options: 2/3/5Hours
- Robot style pool cleaner designed for all pool shapes and surfaces

\*Swivel - Cable Tangle Prevention System is optional.

- Two motors
- Smart Control
- All Around Cleaning
- Convenient handle

## ORDER GUIDE

MODEL NUMBER	IMPORT VOLTAGE	HERTZ	CURRENT AMPS	OUTPUT VOLTAGE	CABLE LENGTH METER	WORKING °C	RUNNING SPEED M/MIN.
73288000	110-120	60	4.5	24 V	17	10-35	18±0.5
73288100	200-240	50	4.5	24 V	17	10-35	18±0.5



# ROBOTIC CLEANER

## FEATURED HIGHLIGHTS

- Lightweight and easy-to-use.
- Quick Speed
- Ideals for cleaning both above ground and In-ground pools
- Timer planning programs: 1 Hour /2Hours
- Robot style pool cleaner designed for all pool shapes and surfaces

\*Swivel - Cable Tangle Prevention System is optional.

- High Speed
- Smart Control
- Great Suction Power
- Convenient handle

## ORDER GUIDE

MODEL NUMBER	IMPORT VOLTAGE	HERTZ	CURRENT AMPS	OUTPUT VOLTAGE	CABLE LENGTH METER	WORKING °C	RUNNING SPEED M/MIN.
73282000	110-120	60	6	24 V	13	10-35	22±0.5
73282100	200-240	50	6	24 V	13	10-35	22±0.5



## ROBOTIC CLEANER

### FEATURED HIGHLIGHTS

- Lightweight and easy-to-use.
- Ideals for cleaning both above ground and In-ground pools
- Timer planning programs: 1 Hour /2Hours
- Robot style pool cleaner designed for all pool shapes and surfaces

\*Swivel - Cable Tangle Prevention System is optional.



### ORDER GUIDE

MODEL NUMBER	IMPORT VOLTAGE	HERTZ	CURRENT AMPS	OUTPUT VOLTAGE	CABLE LENGTH METER	WORKING °C	RUNNING SPEED M/MIN.
73285000	110-120	60	6	24 V	13	10-35	21±0.5
73285100	200-240	50	6	24 V	13	10-35	21±0.5

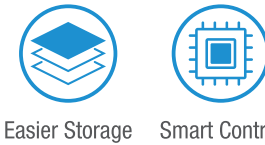


## ROBOTIC CLEANER

### FEATURED HIGHLIGHTS

- Lightweight and easy-to-use.
- Ideals for cleaning above ground pools as well as In-ground pools
- Timer planning programs: 1 Hour /2Hours
- Robot style pool cleaner designed for all pool shapes and surfaces

\*Swivel - Cable Tangle Prevention System is optional.



### ORDER GUIDE

MODEL NUMBER	IMPORT VOLTAGE	HERTZ	CURRENT AMPS	OUTPUT VOLTAGE	CABLE LENGTH METER	WORKING °C	RUNNING SPEED M/MIN.
73281000	110-120	60	5	24V	13	10-35	14±0.5
73281100	200-240	50	5	24V	13	10-35	14±0.5

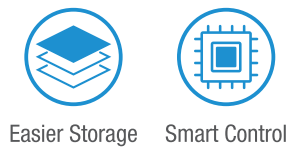


## ROBOTIC CLEANER

### FEATURED HIGHLIGHTS

- Lightweight and easy-to-use.
- Ideals for cleaning both above ground and In-ground pools
- Timer planning programs: 1 Hour /2Hours
- Robot style pool cleaner designed for all pool shapes and surfaces

\*Swivel - Cable Tangle Prevention System is optional.



### ORDER GUIDE

MODEL NUMBER	IMPORT VOLTAGE	HERTZ	CURRENT AMPS	OUTPUT VOLTAGE	CABLE LENGTH METER	WORKING °C	RUNNING SPEED M/MIN.
73287000	110-120	60	5	24 V	9	10-35	14±0.5
73287100	200-240	50	5	24 V	9	10-35	14±0.5

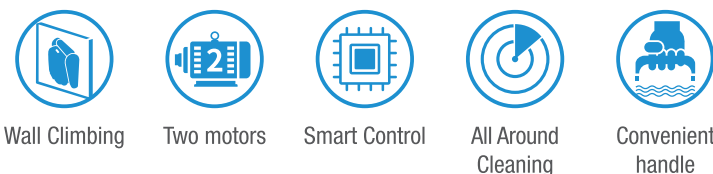


## ROBOTIC CLEANER

### FEATURED HIGHLIGHTS

- 90 degree climbing wall ability
- Ideals for cleaning both above ground and In-ground pools
- Double roller brushes
- 10000 hours long life with quite movement
- Timer planning programs: 1.5/3/5Hours
- Robot style pool cleaner designed for all pool shapes and surfaces

\*Swivel - Cable Tangle Prevention System is optional.



### ORDER GUIDE

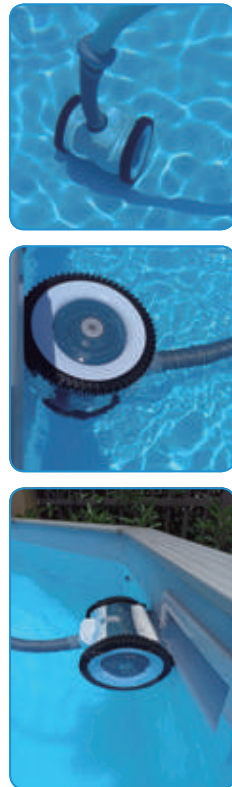
MODEL NUMBER	IMPORT VOLTAGE	HERTZ	CURRENT AMPS	OUTPUT VOLTAGE	CABLE LENGTH METER	WORKING °C	RUNNING SPEED M/MIN.
73280000	110-120	60	5.5	22 V	18	10-35	11±0.5
73280100	200-240	50	5.5	22 V	18	10-35	11±0.5





# NORTH STAR 2-WHEEL SUCTION POOL CLEANER

SPLASH 2-Wheel Suction Pool Cleaner uses your existing pool pump and filter for power which makes pool cleaning effortless. It can handle debris without clogging, consistent on all pool surfaces. Compact, easy to install, suits most pool sizes and shapes. With optimised strong wheel grip, It can handle debris without clogging, consistent on all pool surfaces. Compact, easy to install, suits most pool sizes and shapes.



## FEATURED HIGHLIGHTS

- Compact and easy set up
- Super flow turbine design allows dirt and debris to easily pass to avoid clogging
- Alveolate roller skirt plus powerful tire treads ensure climbing ability and obstacle maneuverability
- Quick-release latch, top access allows for quick and easy maintenance
- Suitable for all pool surfaces: tile, gunite, fiberglass and vinyl pools

## ORDER GUIDE

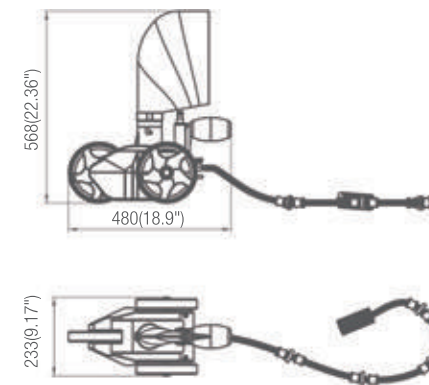
MODEL NUMBER	CLEANER TYPE	POOL COVERAGE	DRIVE SEQUENCE	TRACTION SYSTEM
73275	Automatic Turbine Suction Cleaner	Pool Floor, Walls, Covets	Turn Every 8 To 10 Seconds	2 Wheel Drive
POOL SURFACE	HOSE LENGTH	MIN PUMP SIZE	PRODUCT DIMENSIONS	ITEM WEIGHT
Gunite, Vinyl, Fiberglass, Pebble And Tile	13M	1/2 HP OR 35 GPM	29.7x21.7x24 CM	6.2lbs

# PRESSURE SIDE POOL CLEANER

It has the most vacuum power of any cleaner, which enhances the experience, providing a cleaner body of water by returning clean filtered water throughout all areas of the pool. And independent booster pump operation keeps the skimmer free to remove surface debris and contaminants for a cleaner. The pool can be sparkling with minimum effort.

## DIMENSIONS

Units: MM (IN)



## FEATURED HIGHLIGHTS

- All wheel drive for fast, efficient cleaning
- Extra large profiled inlet for big debris
- All-Terrain tires for all pool types
- Exclusive on-board backup valve
- Triple Jets For Full Power
- 2 Debris bags included
- Gear and shaft drive

## ORDER GUIDE

MODEL NUMBER	RATED PRESSURE BAR (PSI)	CTN. QTY	NET. WEIGHT	CARTON DIMENSION(CM)
73270	3.5(50)	1	9.5lbs	51x50x32

# AUTOMATIC CLEANER

The cleaners are designed for simple, silent operation and low-cost maintenance. The large wheel deflector keeps the cleaner from getting caught on steeps, ladders or in corners so it can keep on cleaning the pool. These cleaners operate off the pool's existing filtration system and will make it won't miss a spot. The cleaner will provide satisfying performance for virtually any pool environment.



Easier Set up



Quieter Operation



Complete kit



Cost-effective



73271



73272



73273

## FEATURED HIGHLIGHTS

- Come with hoses, hose weight and flow control valve, quick and easy to set up
- Suitable for both in-ground and above-ground
- Cleans automatically.
- Removes dirt, debris, bugs, twigs, leaves, sand and even pebbles effortlessly and quietly.
- Long-Life diaphragm/flapper
- Simple operation, maximum power, and low-cost maintenance

## ORDER GUIDE

MODEL NUMBER	TYPE	WORK FLOW	HOSES	CTN QTY	NET WEIGHT	CARTON DIMENSION (CM)
73271	Diaphragm	4.5m³/h	Extruded hose 10pcs x 1m	1	10.7lbs	49x17x106
73272	Diaphragm	4.5m³/h	Blow molded hose 10pcs x 0.8m	1	8.8lbs	43x15x82
73273	Diaphragm	3.5m³/h	Blow molded hose 10pcs x 0.8m	1	8.8lbs	43x15x82

# AUTOMATIC CLEANER

The cleaners are designed for simple, silent operation and low-cost maintenance. The large wheel deflector keeps the cleaner from getting caught on steeps, ladders or in corners so it can keep on cleaning the pool. These cleaners operate off the pool's existing filtration system and will make it won't miss a spot. The cleaner will provide satisfying performance for virtually any pool environment.



Easier Set up



Quieter Operation



Complete kit



Cost-effective



73240



73260



73250



73274

## FEATURED HIGHLIGHTS

- Come with hoses, hose weight and flow control valve, quick and easy to set up
- Suitable for both in-ground and above-ground
- Cleans automatically.
- Removes dirt, debris, bugs, twigs, leaves, sand and even pebbles effortlessly and quietly.
- Long-Life diaphragm/flapper
- Simple operation, maximum power, and low-cost maintenance




## ORDER GUIDE

MODEL NUMBER	TYPE	WORK FLOW	HOSES	CTN QTY	NET WEIGHT	CARTON DIMENSION (CM)
73240	Flapper	4.5m³/h	Extruded hose 10pcs x 1m	1	11.1lbs	48x14x103
73250	Flapper	4.5m³/h	Extruded hose 10pcs x 1m	1	10.7lbs	44x14x103
73260	Flapper	4.5m³/h	Extruded hose 10pcs x 1m	1	11.3lbs	48x14x103
73274	Flapper	4.5m³/h	Blow molded hose 10pcs x 0.8m	1	8.8lbs	44x14x83



# AUTO CLEANER

The cleaners are designed for simple, silent operation and low-cost maintenance. The large wheel deflector keeps the cleaner from getting caught on steps, ladders or in corners so it can keep on cleaning the pool. These cleaners operate off the pool's existing filtration system and will make it won't miss a spot. The cleaner will provide satisfying performance for virtually any pool environment.

-  Energy Saving
-  Quieter Operation
-  Cost-effective



### FEATURED HIGHLIGHTS

- Great suction power
- Reliable with longer service life
- The regular valve automatically adjusts water flow for maximum cleaning performance
- No bag to empty
- Installs in minutes – no tools required

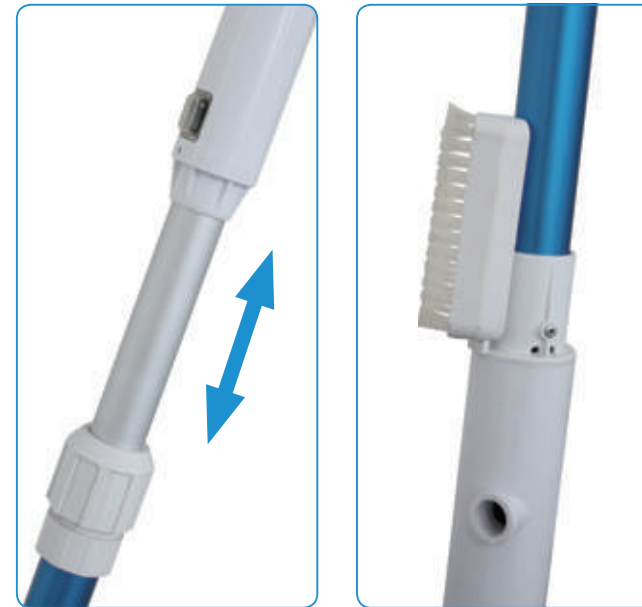
## ORDER GUIDE

MODEL NUMBER	TYPE	WORK FLOW	HOSES	CTN QTY	NET WEIGHT	CARTON DIMENSION (CM)
73220	Flapper	4.5m³/h	Extruded hose 10pcsx1m	1	11.1lbs	103x42x22
73230	Flapper	4.5m³/h	Extruded hose 10pcsx1m	1	10.7lbs	103x42x22

# SPA VACUUM CLEANER

This SPA vacuum is a great accessory for achieving a SPA cleaning and making people enjoy the water fun. The filtration system could efficiently pick up debris and additional brush would clean the floors or walls. Besides adjustable anodized aluminum pole makes it suitable for any size of SPAs.

-  Energy Saving
-  Quieter Operation
-  Easy Operation and Maintenance

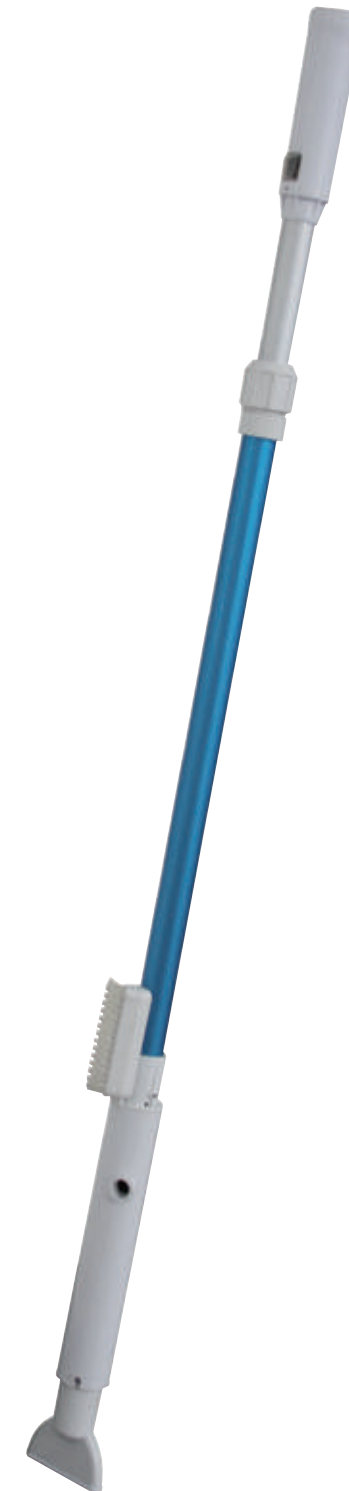


### FEATURED HIGHLIGHTS

- Cleans the grit and debris from above ground pools, spas, water features and ponds
- Battery powered for fast easy cleaning (batteries not included)
- Debris is vacuumed into a reusable, easy to clean filter bag
- Telescopic poles can be adjusted to reach shallow and deep areas

## ORDER GUIDE

MODEL NUMBER	VOLTAGE	POWER	APPLICATION	CARTON DIMENSION (CM)
73330	12V/DC	24W	Above-ground / SPA	137x13x22 (4pcs)





# EXTEND YOUR ENJOYMENT IN THE POOL

Easy To Use  
Quick Heat Up  
Energy Saving  
Pure Titanium Heat Exchanger



SPLASH Heating systems deliver the ultimate in comfort as well as energy efficiency which prolong your enjoyment in a cold weather.



# PRO HEAT PUMP

The SHAS32H, SHAS53H, SHAS65H & SHAS80H heat pumps from SPLASH are the perfect addition to your pool. It provides perfect water temperature-even under hardest conditions-allowing you to swim longer into the evening hours, earlier in the spring and later in the fall.



Quick Heating



Quieter Operation



Top Brand Compressor



High Efficiency Titanium Coil



## FEATURED HIGHLIGHTS

- Stable, safety and silent operation.
- ON/OFF programmable timer.
- High-efficiency evaporator and titanium heat exchanger.
- Fan defrosting and low temperature protection.
- Less energy using than a natural gas or propane heater.

## QUICK SELECTION GUIDE

LITERS	GALLONS(US)	MODEL RECOMMENDATION
12811	3389	SHAS32H- SHAS53H
19684	5200	SHAS32H- SHAS65H
28769	7600	SHAS53H- SHAS65H
32635	8633	SHAS65H
39368	10400	SHAS65H- SHAS80H
51102	13500	SHAS65H- SHAS80H
65108	17200	SHAS65H- SHAS80H
67288	17801	SHAS80H

Notes: Practical selection bases on our selling guidance and model selection software.



## TECHNICAL DATA

MODEL	Test Conditions	SHAS32H / 73806	SHAS53H / 73801	SHAS65H / 73802	SHAS80H / 73804
INPUT / (KW)		1.4	2.4	2.9	3.6
OUTPUT / (BTU/H)	80°F Air, 80% RH, 80°F Water	32000	53000	65000	80000
COP		6.6	6.6	6.6	6.5
INPUT / (KW)		1.4	2.3	2.8	3.5
OUTPUT/ (BTU/H)	80°F Air, 63% RH, 80°F Water	30000	50000	61000	75000
COP		6.3	6.3	6.3	6.2
INPUT / (KW)		1.3	2.1	2.6	3.3
OUTPUT/(BTU/H)	50°F Air, 63% RH, 80°F Water	17900	29700	36400	44800
COP		4.1	4.1	4.1	4.0
VOLTAGE		230V/60Hz/1PH	230V/60Hz/1PH	230V/60Hz/1PH	230V/60Hz/1PH
RATED LOAD AMPERES / (A)		6.5	10.8	13.2	16.5
COMPRESSOR		Rotary	Rotary	Scroll	Scroll
HEAT EXCHANGER		Titanium	Titanium	Titanium	Titanium
FAN DIRECTION		Vertical	Vertical	Vertical	Vertical
REFRIGERANT		R410A	R410A	R410A	R410A
FAN ROTATION SPEED / (RPM)		850	950	950	950
FAN POWER INPUT / (W)		210	210	250	250
FAN BLADE DIMENSION / (MM)		500	500	500	500
WATER CONNECTION / (MM/IN)		60 / 2"	60 / 2"	60 / 2"	60 / 2"
OPTIONAL WATER FLOW / (GPM)		14.4	23.8	29.2	36
MINIMUM-MAXIMUM WATER FLOW/(GPM)		11-17	20-27	26-32	33-39
NOISE LEVEL /(DB(A))		50	53	54	56
UNIT NET DIMENSION (L/W/H) / (MM)		690/690/738	690/690/738	690/690/938	690/690/938
UNIT SHIPPING DIMENSION (L/W/H) / (MM)		738/738/880	738/738/880	738/738/1060	738/738/1060

Notes: Rated in accordance with AHRI Stand 1160.

# PROMAX HEAT PUMP

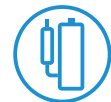
The heat pumps from SPLASH are the perfect addition to your pool. It provides perfect water temperature-even under hardest conditions-allowing you to swim longer into the evening hours, earlier in the spring and later in the fall.



Quick Heating



Quieter Operation



Top Brand Compressor



High Efficiency Titanium Coil



## FEATURED HIGHLIGHTS

- Stable, safety and silent operation.
- ON/OFF programmable timer.
- High-efficiency evaporator and titanium heat exchanger.
- Fan defrosting and low temperature protection.
- Less energy using than a natural gas or propane heater.

## QUICK SELECTION GUIDE

LITERS	GALLONS(US)	MODEL RECOMMENDATION
67288	17801	SHAS95-SHAS137
70092	18500	SHAS95-SHAS137
79871	21100	SHAS95-SHAS137
102285	26700	SHAS95-SHAS137
124918	33000	SHAS95-SHAS137

Notes: Practical selection bases on our selling guidance and model selection software.



## TECHNICAL DATA

MODEL	Test Conditions	SHAS95H / 73808	SHAS110H / 73805	SHAS125H / 73803	SHAS137H / 73807
INPUT / (KW)		4.3	4.8	5.5	6.0
OUTPUT / (BTU/H)	80°F Air, 80% RH, 80°F Water	95000	110000	125000	137000
COP		6.5	6.7	6.7	6.7
INPUT / (KW)		4.2	4.6	5.3	5.8
OUTPUT/ (BTU/H)	80°F Air, 63% RH, 80°F Water	89000	100000	117000	128000
COP		6.2	6.4	6.4	6.4
INPUT / (KW)		3.9	4.5	5.1	5.6
OUTPUT /(BTU/H)	50°F Air, 63% RH, 80°F Water	532000	61600	70000	76700
COP		4.0	4.0	4.0	4.0
VOLTAGE		230V/60Hz/1PH	230V/60Hz/1PH	230V/60Hz/1PH	230V/60Hz/1PH
RATED LOAD AMPERES / (A)		19.6	22	25	27.4
COMPRESSOR		Scroll	Scroll	Scroll	Scroll
HEAT EXCHANGER		Titanium	Titanium	Titanium	Titanium
FAN DIRECTION		Vertical	Vertical	Vertical	Vertical
REFRIGERANT		R410A	R410A	R410A	R410A
FAN ROTATION SPEED / (RPM)		950	950	950	950
FAN POWER INPUT / (W)		410	560	560	560
FAN BLADE DIMENSION / (MM)		600	600	600	600
WATER CONNECTION / (MM/IN)		60 / 2"	60 / 2"	60 / 2"	60 / 2"
OPTIONAL WATER FLOW / (GPM)		42.7	49.5	56.2	61.6
MINIMUM-MAXIMUM WATER FLOW/(GPM)		39-46	36-53	53-60	58-65
NOISE LEVEL /(DB(A))		59	61	62	63
UNIT NET DIMENSION (L/W/H) / (MM)		820x860x1020	820x860x1020	820x860x1020	820x860x1020
UNIT SHIPPING DIMENSION (L/W/H) / (MM)		850x895x1175	850x895x1175	850x895x1175	850x895x1175

Notes: Rated in accordance with AHRI Stand 1160.



## MINI HEATER

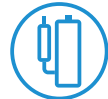
SPLASH MINI heater, the heat pump for basin and small above ground pools. Designed on the basis of high range heat pump, SPLASH MINI has everything a great and offers a high COP. Ultra compact and light weight make it very easy to move. SPLASH Mini offers several colors to fit best in your environment.



Quick Heating



Quieter Operation



Top Brand Compressor



High Efficiency Titanium Coil



### MAIN COMPONENTS

- Twisted tech titanium heat exchanger
- GMCC ultra high-performance compressor
- Body in ABS anti-UV 3 colours
- Compatible salt treatment
- Ecological refrigerant R410A

### FEATURED HIGHLIGHTS

- Energy saving stable and silent operation
- ON/OFF programmable time
- High-efficiency evaporator and titanium heat exchange
- Easier operation and maintenance

### Condition: 80°F Air 80% RH 80°F Water

MODEL	SHAS09H	SHAS18H	SHAS24H
INPUT/(KW)	0.45	0.8	1.25
OUTPUT/(BTU)	9000	16000	24000
COP	5.5	5.5	5.5

### Condition: 50°F Air 80% RH 63°F Water

MODEL	SHAS09H	SHAS18H	SHAS24H
INPUT/(KW)	0.45	0.8	1.25
OUTPUT/(BTU)	4400	8400	11800
COP	2.8	2.8	2.8

# POOL LADDERS

Easy Access To And From Pool  
One Ladder For Many Summers



SPLASH Pool Ladders are a great addition to your above ground & in-ground pools for safe and simple entry and exit. The ladders feature heavy-duty steps, and easy assembly. For your swimming needs, do not miss a SPLASH ladder!

# ABOVE GROUND POOL ENTRY SYSTEM

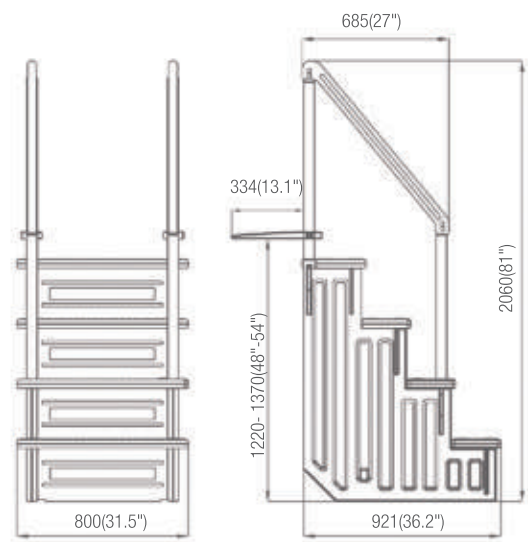
This entry system is made of corrosion-proof material. Designed to fit either 48" to 54" pools, this system will also fit round or oval pools. Top of the entry has a strong platform that protects the top rail of your pool. Includes a lockable gate to keep unwanted swimmers out.



## DIMENSIONS

Units: MM (IN)

SIZE	PIECES IN REQUIRE
102X17.5X118cm	1 pcs



## FEATURED HIGHLIGHTS

- Easy installation
- Textured non-slip surface
- Hand rails on both sides
- Wide steps for safety
- Space under the step to allow circulation of water and prevent the formation of algae

## ORDER GUIDE

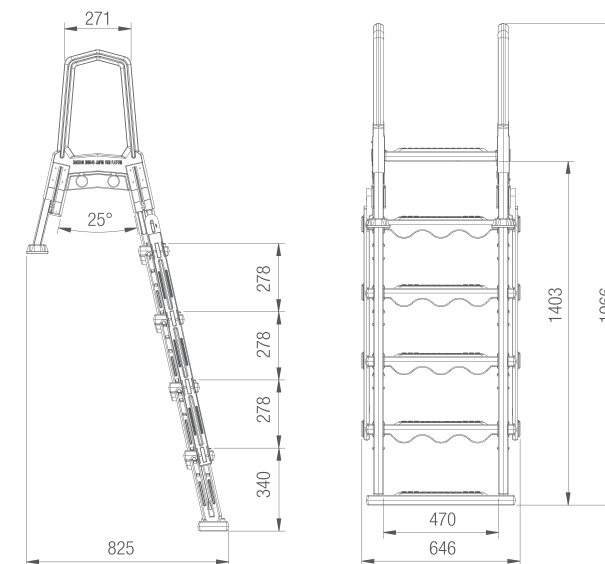
MODEL NUMBER	MATERIAL	APPLICATION	WEIGHT LIMIT	PRODUCTS SIZE	NET WEIGHT	PACKAGE SIZE
71503	HDPE	Aboveground Pool	300 lbs	92.1x80x206 CM	481 lbs	102x17.5x118 CM

# A-FRAME EXTERNAL LADDER



## DIMENSIONS

Units: MM (IN)



Suggest To Be Used With Item 71503

## FEATURED HIGHLIGHTS

- Enforced thick material guaranteed the safety and stability and durability.
- Nice foot touch and slipping-proof design
- Flip Up Steps Prevent Unwanted Entry
- Child-Proof Barrier Meetings ANSI/APSP Safety Standards.
- 250lb Capacity
- Need to be installed on the tread of Item 71503
- Suitable for above-ground pool with max height of 54"

## ORDER GUIDE

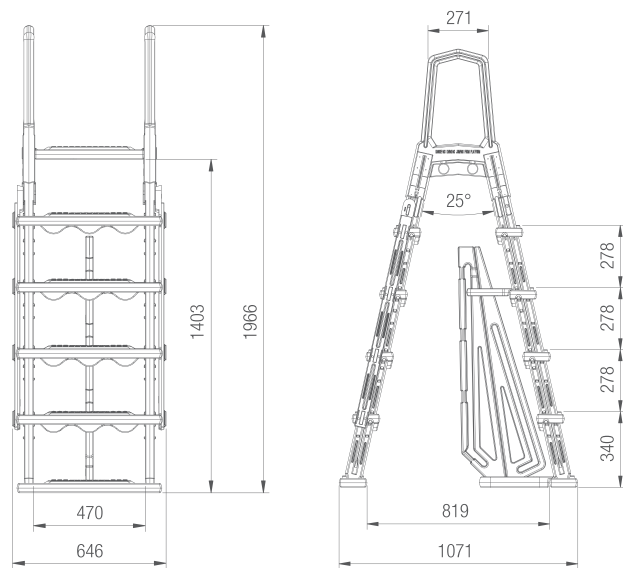
MODEL NUMBER	MATERIAL	APPLICATION	WEIGHT LIMIT	PRODUCTS SIZE	NET WEIGHT	PACKAGE SIZE
71550010	HDPE	48"-54" Height Aboveground Pool	250 lbs	82.5x64.6x196.6 CM	23 lbs	60x20x151 CM



# A-FRAME LADDER

## DIMENSIONS

Units: MM (IN)



## FEATURED HIGHLIGHTS

- Flip Up Steps Prevent Unwanted Entry
- Child-Proof Barrier Meets ANSI/APSP Safety Standards.
- Adjustable for Above Ground Pool 48 in. To 54 in Deep
- Extra Deep 5 in. Treads
- 250lb Capacity

## ORDER GUIDE

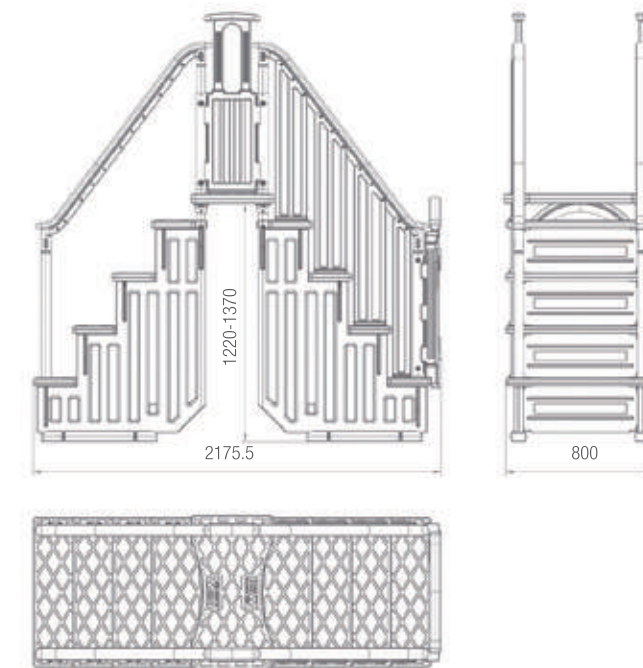
MODEL NUMBER	MATERIAL	APPLICATION	WEIGHT LIMIT	PRODUCTS SIZE	NET WEIGHT	PACKAGE SIZE
71550	HDPE	48"-54" Height Aboveground Pool	250 lbs	107x64.6x196.6 CM	42 lbs	60x20x151 CM

# ABOVE GROUND POOL ENTRY SYSTEM

This entry system is made of corrosion-proof material. Designed to fit either 48" to 54" pools, this system will also fit round or oval pools. Top of the entry has a strong platform that protects the top rail of your pool. Includes a lockable gate to keep unwanted swimmers out.

## DIMENSIONS

Units: MM (IN)



## FEATURED HIGHLIGHTS

- Assemble in minutes with easy nap-together design that requires minimal tools and hardware
- Adjustable platform height from 122 cm to 137 cm
- Meets US safety code
- Hand rails on both sides
- Non-slip, 4-step, ergonomic and attractive
- Load Capacity: up to 240 pounds, residential use only
- Weights sell separately

## ORDER GUIDE

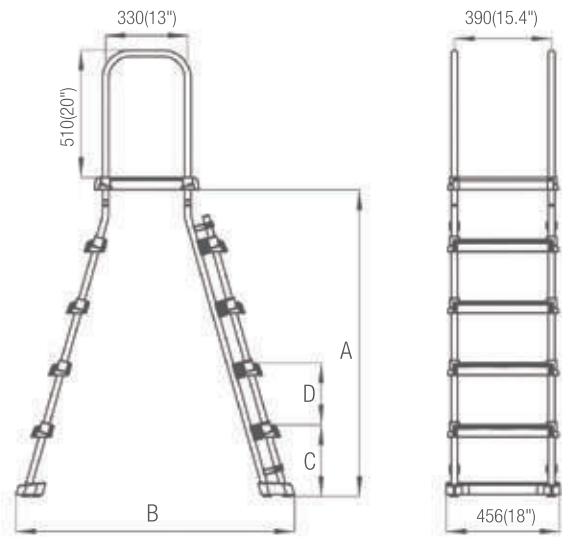
MODEL NUMBER	PARTS	SIZE	PIECES IN REQUIRE
71501	Inner ladder	94x24x131CM	1pcs
	Outer ladder	100X26X145CM	1pcs

# ABOVE GROUND POOL ENTRY SYSTEM



## DIMENSIONS

Units: MM (IN)



MODEL NUMBER	A	B	C	D
71540	1330(52.3")	1175(46.2")	241(9.5")	272(10.7")
71541	1240(48.8")	1124(44.2")	297(11.7")	248(9.7")
71542	1045(41.1")	1012(39.8")	270(10.6")	258(10.1")

Remark: The barrier is sold separately for US markets

## FEATURED HIGHLIGHTS

- Especially designed for above-ground pools
- Big platform facilitate entry into and exit from the pool
- Two side ladder plus (removable safety ladder outside)
- Textured non-slip surface
- Easy installation
- Meet all safe code: lift-able outer steps to avoid children into pool
- Load Capacity: up to 240 pounds, residential use only

## ORDER GUIDE

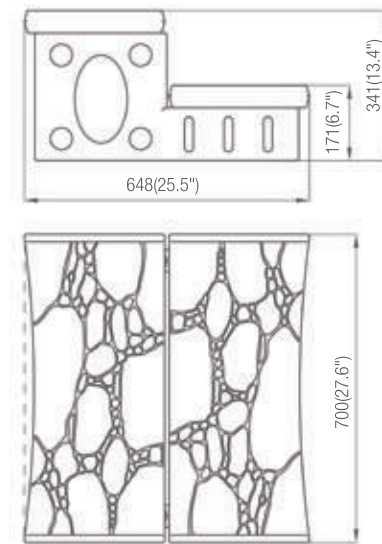
MODEL NUMBER	MATERIAL	APPLICATION	HEIGHT	WEIGHT LIMIT	PRODUCTS SIZE	NET WEIGHT	PACKAGE SIZE
71540	Iron, Polypropylene	Aboveground Pool	132(52")	300 lbs	117.5x45.6x184 CM	30 lbs	43x13.5x142 CM
71541	Iron, Polypropylene	Aboveground Pool	122(48")	300 lbs	112.4x45.6x175 CM	29.3 lbs	46x13.5x133 CM
71542	Iron, Polypropylene	Aboveground Pool	100(40")	300 lbs	101.2x45.6x155.5 CM	21.6 lbs	43x11.5x106 CM

# SMART SPA LADDER

This entry system is made of corrosion-proof material. Designed to fit either 48" to 54" pools, this system will also fit round or oval pools. Top of the entry has a strong platform that protects the top rail of your pool. Includes a lockable gate to keep unwanted swimmers out.

## DIMENSIONS

Units: MM (IN)



COLOR OPTIONS: WHITE BLACK MOKA

## FEATURED HIGHLIGHTS

- All plastic construction
- Easy assembly
- Two kinds of installation way to meet different spa sharps
- Weatherproof and UV resistant
- No hardware
- Cleans easily with soap and water
- Three colors are available: white, black and moka

## ORDER GUIDE

MODEL NUMBER	MATERIAL	APPLICATION	WEIGHT LIMIT	COLOR	PRODUCTS SIZE	NET WEIGHT	PACKAGE SIZE
71504004	HDPE	SPA	300 lbs	White	70x64.8x34.1 CM	12.7 lbs	35x22.5x72.5 CM
71504001	HDPE	SPA	300 lbs	Black	70x64.8x34.1 CM	12.7 lbs	35x22.5x72.5 CM
71504002	HDPE	SPA	300 lbs	Moka	70x64.8x34.1 CM	12.7 lbs	35x22.5x72.5 CM



# STAINLESS STEEL POOL LADDER

This entry system is made of corrosion-proof material. Designed to fit either 48" to 54" pools, this system will also fit round or oval pools. Top of the entry has a strong platform that protects the top rail of your pool. Includes a lockable gate to keep unwanted swimmers out.



71516



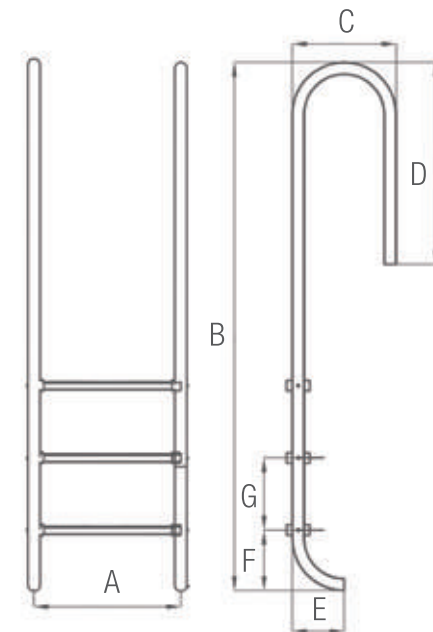
71518



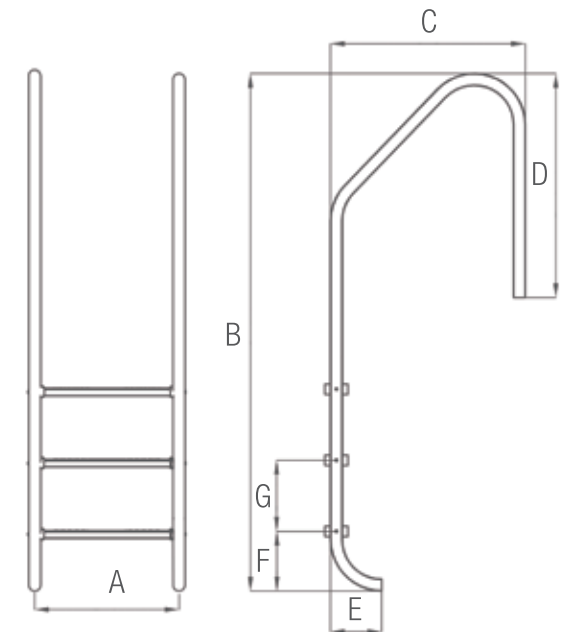
71517

## DIMENSIONS

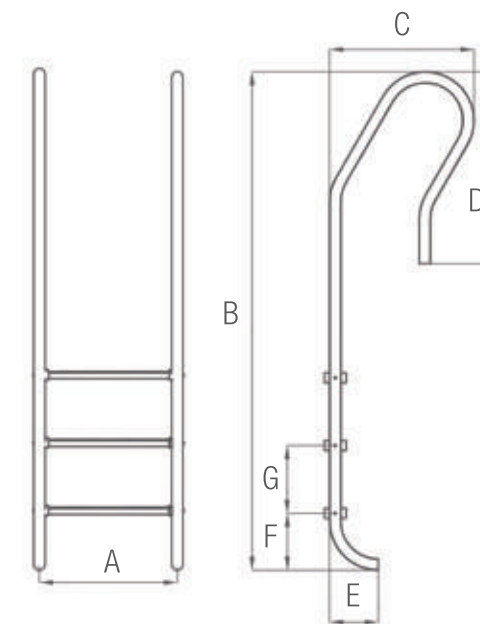
Units: MM (IN)



71516



71517



71518

### FEATURED HIGHLIGHTS

- Made of 304-L stainless steel
- Ø42MM tubes, 1.0MM thickness
- Stainless steel treads with reinforced resin end pieces
- Flow drilling: The treads are fastened to the upright tubes through flow drilled holes on the tread sides and it ensures an impeccably smooth finish with no sharp edges likely to cause injury
- Come with 2 escutcheon plates in stainless steel
- Two versions are available: 2 anchor sockets OR one delivered with 2 anchor flanges (for wooden pools)
- 2 steps, 3 steps and 4 steps are available
- Load capacity: 250pounds, residential use only

### ORDER GUIDE

MODEL NUMBER	STEP QTY	FOOT MATERIAL	APPLICATION	WEIGHT LIMIT	PRODUCTS SIZE	NET WEIGHT	PACKAGE SIZE
71506	2	Plastic	Concrete Pool	300 lbs	53.4x36x133 CM	14 lbs	39x9x135 CM
71507	2	Plastic	Concrete Pool	300 lbs	53.4x68.6x132 CM	15 lbs	72x9x135 CM
71508	2	Plastic	Concrete Pool	300 lbs	53.4x53.3x133 CM	14.5 lbs	55x9x135 CM
71516	3	Plastic	Concerte pools	300 lbs	53.4x36x158 CM	16 lbs	39x9x160 CM
71517	3	Plastic	Concerte pools	300 lbs	53.4x68.6x157 CM	17 lbs	72x9x160 CM
71518	3	Plastic	Concerte pools	300 lbs	53.4x53.3x158 CM	16.5 lbs	55x9x160 CM
71526	4	Plastic	Concerte pools	300 lbs	53.4x36x183 CM	18 lbs	39x9x185 CM
71527	4	Plastic	Concerte pools	300 lbs	53.4x68.6x182 CM	19 lbs	72x9x185 CM
71528	4	Plastic	Concerte pools	300 lbs	53.4x53.3x183 CM	18.5 lbs	55x9x185 CM
71536	3	Stainless Steel	Wooden pools	300 lbs	53.4x36x158 CM	16 lbs	39x9x160 CM
71537	3	Stainless Steel	Wooden pools	300 lbs	53.4x68.6x157 CM	17 lbs	72x9x160 CM
71538	3	Stainless Steel	Wooden pools	300 lbs	53.4x53.3x158 CM	16.5 lbs	55x9x160 CM

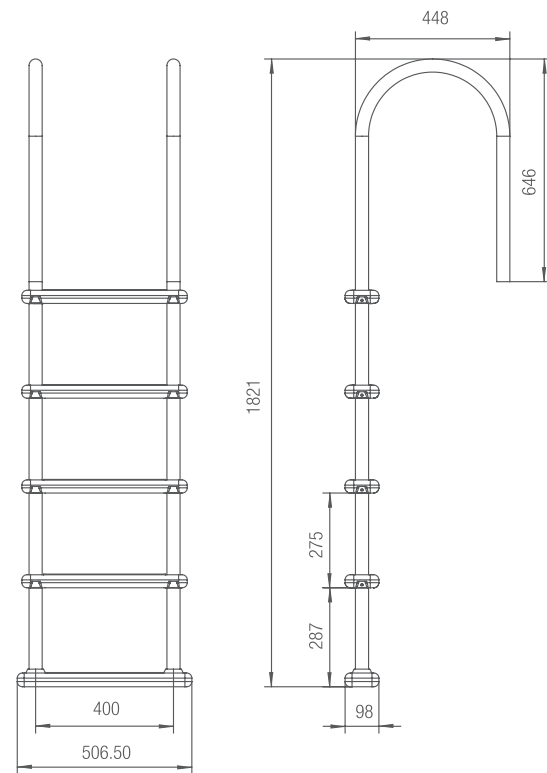
MODEL NUMBER	A	B	C	D	E	F	G
71516/71536	492(19.37")	1580(62.2")	360(14.17")	700(27.6")	180(7.08")	210(8.27")	250(9.84")
71517/71537	492(19.37")	1570(61.8")	686(27")	788(31")	180(7.08")	210(8.27")	250(9.84")
71518/71538	492(19.37")	1580(62.2")	533(21")	709(27.9")	180(7.08")	210(8.27")	250(9.84")

# ALUMINUM HANDLES RESIN STEPS

Durable resin and aluminum above-ground in-pool ladder delivers strong quality. This high quality ladder makes exiting your pool safe and secure. Durable non-corroding aluminum and polymer construction allows for sure footing and can accommodate up to 250lbs. These above ground ladders will fit up to 54" deep pools and come complete with deck flanges. The base of ladder pivots to conform to sloping pool bottoms for safe grounding.

## DIMENSIONS

Units: MM (IN)



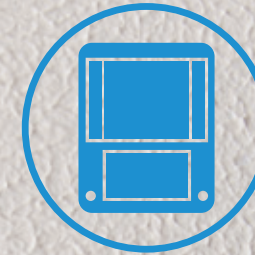
## FEATURED HIGHLIGHTS

- Durable resin and aluminum ladder
- Anti-skid resin steps
- Designed to fit up to 54" deep pools
- Supports up to 250 lbs

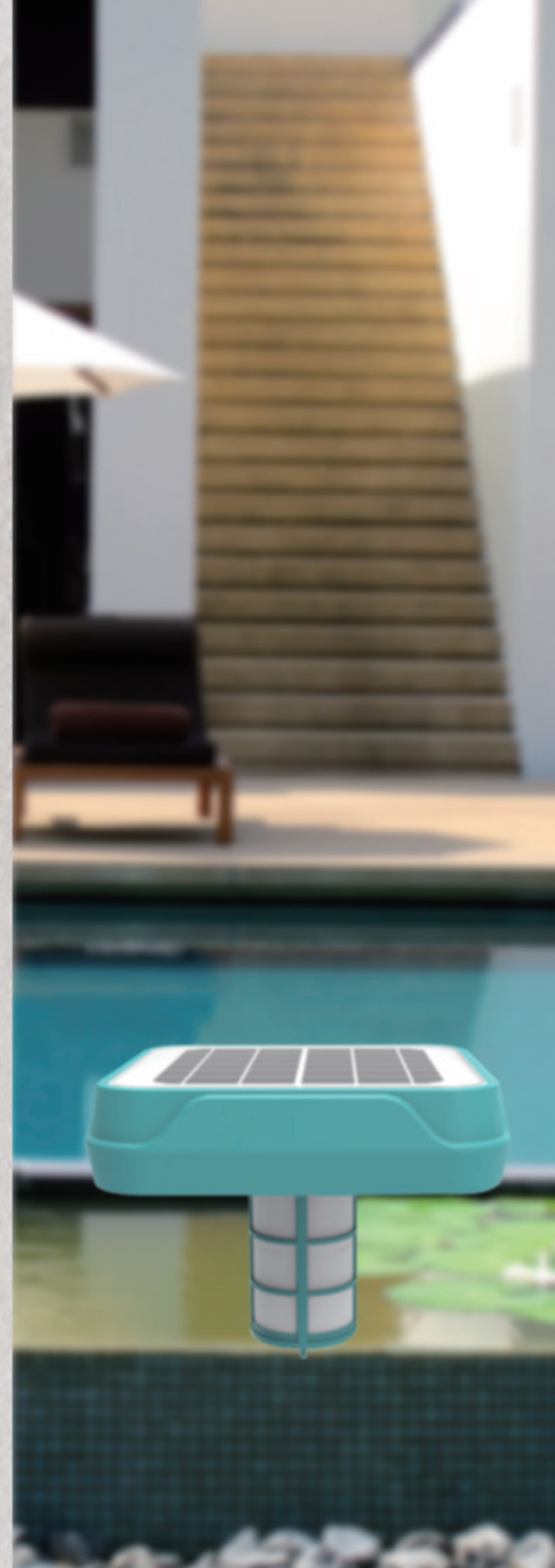
## ORDER GUIDE

MODEL NUMBER	MATERIAL	APPLICATION	WEIGHT LIMIT	PRODUCTS SIZE	NET WEIGHT	PACKAGE SIZE
71546	HDPE	Aboveground Pool	300 lbs	50.6x44.8x182 CM	11.2 lbs	46x9x185 CM

# SANITIZATION



SPLASH's line of sanitization offer you an easier and cost-effective solution for pool water management





# SALT CHLORINE GENERATOR

Optimize your in-ground pool experience with the SPLASH Salt Chlorine Generator. This natural approach to chlorination combats and eliminates the harsh smell associated with traditional factory-made chlorine and provides a convenient process of keeping your pool clean and clear. Rather than mixing, measuring or moving heavy buckets of chlorine, use this salt chlorination system to enjoy a fast, automated experience. Your pool will be mechanically sanitized as salt is transformed into chlorine. You'll also see a cost reduction of 50% using this salt chlorine generator when compared to the use of other types of chlorine.



Five Level Efficiency Adjustment



Periodic Reverse Ionization



Much Safer And Cost-Effective



# SALT CHLORINE GENERATOR

This chlorine generator is the cost effective and hassle-free salt chlorine generating solution for your pool. You'll also see a cost reduction of 50% using this salt chlorine generator when compared to the use of other types of chlorine.



Five Level Efficiency Adjustment



Periodic Reverse Ionization



Much Safer And Cost-Effective



## FEATURED HIGHLIGHTS

- Easy to install and use, DIY simply
- Premium material: titanium plate service life can be 10000 hours
- Self-cleaning cell
- Mineral salt compatible
- Adjustable Chlorine Control
- Water resistant casing
- Oversalt protected
- Flow sensitive switch

## ORDER GUIDE

MODEL NUMBER	FLOW SWITCH	NUMBER OF TITANIUM PLATE	CHLORINE GENERATION IN 24 HOURS	POWER INPUT	POWER OUTPUT	REQUIRED FLOW RATE
70183000	Off-Line	7	288g	115V 60Hz	22DC I≤6.5A	529-4000GALLON/H(2000-15140L/H)
70184000	Off-Line	5	192g	115V 60Hz	20DC I≤6.5A	529-4000GALLON/H(2000-15140L/H)
70185000	In-Line	7	288g	115V 60Hz	22DC I≤6.5A	1300-4000GALLON/H(5000-15140L/H)
70186000	In-Line	13	576g	115V 60Hz	24DC I≤7A	1300-4000GALLON/H(5000-15140L/H)
70187000	Off-Line	13	576g	115V 60Hz	24DC I≤7A	529-4000GALLON/H(2000-15140L/H)
70183100	Off-Line	7	288g	230V 50Hz	22DC I≤6.5A	529-4000GALLON/H(2000-15140L/H)
70184100	Off-Line	5	216g	230V 50Hz	20DC I≤6.5A	529-4000GALLON/H(2000-15140L/H)
70182000	In-Line	7	192g	230V 50Hz	22DC I≤6.5A	1300-4000GALLON/H(5000-15140L/H)
	In-Line	13	576g	230V 50Hz	24DC I≤7A	1300-4000GALLON/H(5000-15140L/H)
70187100	Off-Line	13	576g	230V 50Hz	24DC I≤7A	529-4000GALLON/H(2000-15140L/H)

## FEATURED HIGHLIGHTS

- Quick and easy set up
- Naturally sanitized water that won't irritate eyes, dry out skin or cause fabrics to fade
- Remarkable energy and maintenance cost saving
- Self-cleaning
- Digital display and LED indicators
- Adjustable chlorine output
- Suitable for above-ground pool
- High&Low temperature protection

## ORDER GUIDE

MODEL NUMBER	NUMBER OF TITANIUM PLATE	CHLORINE GENERATION IN 24HOURS	GAL CELL TYPE	POWER INPUT	POWER OUTPUT	REQUIRED FLOW RATE
70188	7	288g	15K	115V 60Hz	22-28V DC I≤6.5A	529-4000GALLON/H (2000-15140L/H)
70189	13	576g	25K	115V 60Hz	22DC I≤7A	529-4000GALLON/H (2000-15140L/H)
70190	13 <sup>(big)</sup>	864g	40K	115V 60Hz	22DC I≤7A	529-4000GALLON/H (2000-15140L/H)

# CHLORINATORS

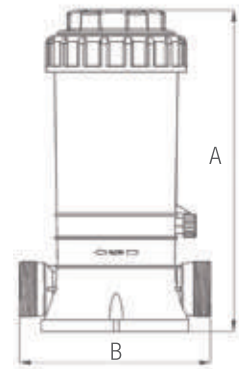
Efficient and maintenance-free, these durable corrosion-proof automatic chlorinators are ideal for new or existing pools or spas and work automatically with your pump and filter system.



70167/70166/70168/70169

## DIMENSIONS

Units: MM



## FEATURED HIGHLIGHTS

- Completely enclosed system, no special venting required
- No escaping gases
- Dial control valve lets you control and adjust the rate of feed
- Designed threaded cover for safe and convenient access to add tablets
- Simple installation for DIY

## CAUTION

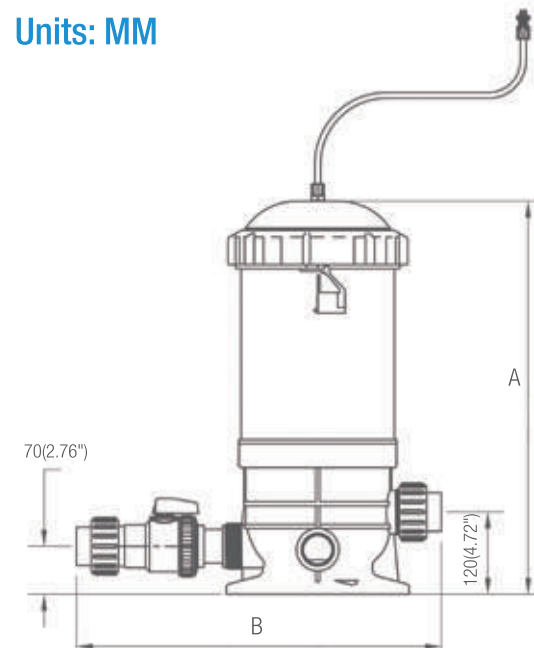
Chemical feeders should always be installed as above indicated position. Extreme care must be exercised when adding chemical to your pool. Concentrated chemicals react violently if they mix in the chemical feeder, causing a fire or explosion, which may result in property damage, personal injury or death. Never use any petroleum based lubricants on cover o-ring. Regular lubrication is necessary to allow for easy cover removal. Use non-petroleum based lubricants.

## ORDER GUIDE

MODEL NUMBER	CAPACITY LBS(KGS)	DIMENSION BxA	POOL SIZE /M <sup>3</sup>	THREAD DIAMETER	NET WEIGHT LBS(KGS)	CONNECTION WAY
70167	4.2(2.5)	20.3x39 CM	95M <sup>3</sup>	1 1/2"-11 1/2"	1.8(0.8)	IN-LINE
70169	9(4.5)	23x39 CM	150M <sup>3</sup>	1 1/2"-11 1/2"	3.2(1.5)	IN-LINE
70166	4.2(2.5)	21.2x35.6 CM	95M <sup>3</sup>	3/8"-18	2.2(1.0)	OFF-LINE
70168	9(4.5)	20.5x35.6 CM	150M <sup>3</sup>	3/8"-18	3.5(1.6)	OFF-LINE
70176	37(16.8)	53.2x46 CM	300M <sup>3</sup>	1 1/2"	10.4(4.7)	OFF-LINE
70177	50(22.8)	53.2x57 CM	450M <sup>3</sup>	1 1/2"	11.7(5.3)	OFF-LINE
70178	65(29.5)	53.2x70.8 CM	600M <sup>3</sup>	1 1/2"	13.3(6.0)	OFF-LINE
70179	86(36)	53.2x80.9 CM	850M <sup>3</sup>	1 1/2"	14.9(6.8)	OFF-LINE

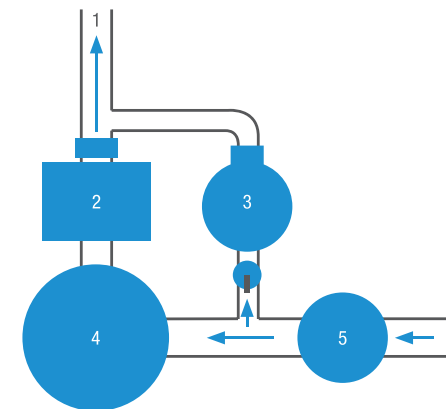
## DIMENSIONS

Units: MM



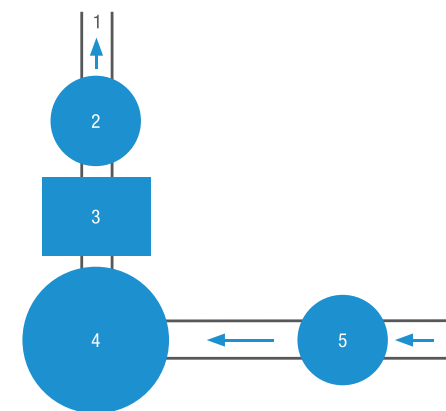
70176/70177/70178/70179

## OFF-LINE



1	To pool
2	Heater
3	Chemicals dispenser
4	Filter
5	Pump
6	From pool

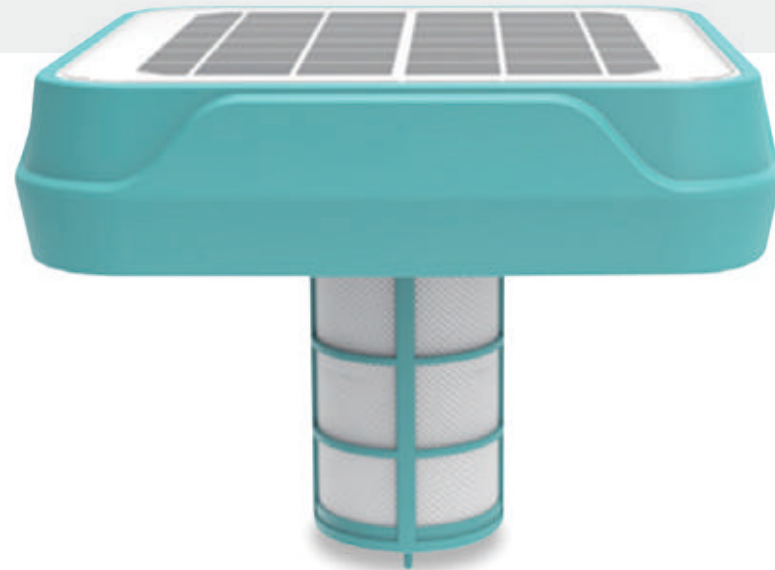
## IN-LINE





# IONIZER

This ionizer uses solar technology to produce electrical current, needed to ionize copper electrodes. The copper ions help govern the growth of algae and other microorganisms. The unit floats in the pool and produces copper ions, while being exposed to sunlight. Within about a week, the product efficiently regulates copper ion level for pool water.



Easier Set up



Easier handling



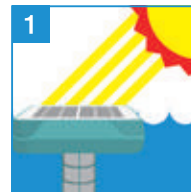
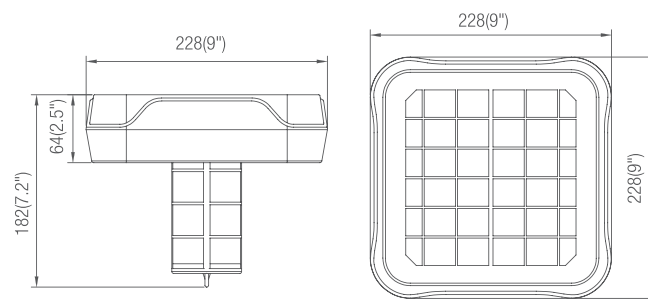
Complete kit



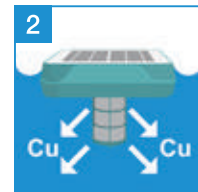
Much Safer And Cost-Effective

## DIMENSIONS

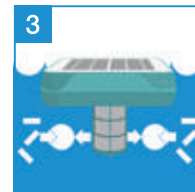
Units: MM (IN)



1 Sun Activates Solar Panel



2 Anode Releases Minerals



3 Minerals Kill Algae In The Pool

## FEATURED HIGHLIGHTS

- SOLAR POWERED-Environmentally friendly solar panels are low-maintenance and requires little attention, no expensive batteries or high electric bills
- SAFE & NON TOXIC-Perfect for swimmers who are sensitive to chlorine,eliminates chlorine induced "red eye, faded suits, discolored hair"
- SIMPLE- No moving parts,just float it
- LOWER CHLORINE LEVELS-Reduce chemical usage up to 80% in above-ground, in-ground, chlorinated and saltwater pools

## ORDER GUIDE

MODEL NUMBER	SOLAR PANEL SPECIFICATION	OPEN-CIRCUIT VOLTAGE	COPPER ELECTRODE WEIGHT	PRODUCT WEIGHT	PACKAGE SIZE
70191000	6V 4.5W	8V	615g	1470g	27.5x27.5x24.5 CM

# SOLAR SHOWERS



Complete your backyard oasis with the poolside solar shower. This solar shower provides a convenient way to rid swimmers of pool chemicals after a dip in the pool, but is also gentle enough to offer a refreshing rinse of solar-heated warm water at all times of the day.

# SOLAR SHOWERS

This solar shower provides a convenient way to rid swimmers of pool chemicals after a dip in the pool, but is also gentle enough to offer a refreshing rinse of solar-heated warm water at all times of the day. It features an internal reservoir tower that collects the sun's rays and warms the water housed within. It is suitable for home, apartments, holiday homes, piers, and the use of the beach and swimming pools. Assembly is quick and easy with little to no tools required. It takes less pump install charge and energy cost, a garden hose water supply is all that you will need to complete you backyard retreat poolside solar shower.



Sensor LED Light

Solar Panel

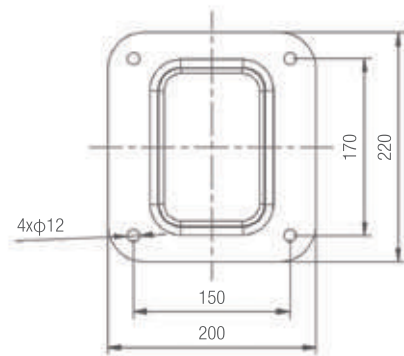
- Handy setting
- Energy Saving
- Easier Set up
- Complete kit

## FEATURED HIGHLIGHTS

- Energy saving
- Equipped solar panel LED light shower head
- Chrome plated mixer for hot and cold water
- High temperature safety cut-off
- Simply clip on a standard garden hose
- Environmental durability engineering plastic material of aluminum

## DIMENSIONS

Units: MM (IN)



## ORDER GUIDE

MODEL NUMBER	CAPACITY (L)	MAX WORKING PRESSURE BAR (PSI)	FOOT WASH	HIGH (CM)	WEIGHT KG (LBS)	CARTON DIMENSION (CM)
70561	35	3.5(50)	Yes	210	11.8(26)	230x28x23

# SOLAR SHOWERS

This solar shower provides a convenient way to rid swimmers of pool chemicals after a dip in the pool, but is also gentle enough to offer a refreshing rinse of solar-heated warm water at all times of the day. It features an internal reservoir tower that collects the sun's rays and warms the water housed within. It is suitable for home, apartments, holiday homes, piers, and the use of the beach and swimming pools. Assembly is quick and easy with little to no tools required. It takes less pump install charge and energy cost, a garden hose water supply is all that you will need to complete you backyard retreat poolside solar shower.

- Handy setting
- Easier handling
- Energy Saving

## FEATURED HIGHLIGHTS

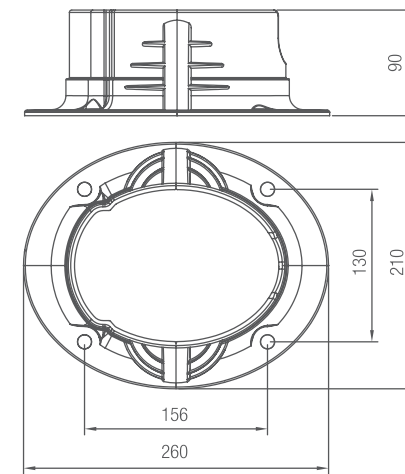
- Energy saving
- Chrome plated mixer for hot and cold water
- High temperature safety cut-off
- Simply clip on a standard garden hose
- Environmental durability engineering plastic material of PVC
- Blow Molding
- Fashion Design

DECORATIVE COLOR OPTIONS:

- BLUE
- SILVER
- ORANGE

## DIMENSIONS

Units: MM






## ORDER GUIDE

MODEL NUMBER	CAPACITY (L)	MAX WORKING PRESSURE BAR (PSI)	FOOT WASH	HIGH (CM)	WEIGHT KG (LBS)	CARTON DIMENSION (CM)
70520	25	3.5(50)	No	214	9.6(21.1)	221x27x25



# SOLAR SHOWERS

This solar shower provides a convenient way to rid swimmers of pool chemicals after a dip in the pool, but is also gentle enough to offer a refreshing rinse of solar-heated warm water at all times of the day. It features an internal reservoir tower that collects the sun's rays and warms the water housed within. It is suitable for home, apartments, holiday homes, piers, and the use of the beach and swimming pools. Assembly is quick and easy with little to no tools required. It takes less pump install charge and energy cost, a garden hose water supply is all that you will need to complete you backyard retreat poolside solar shower.

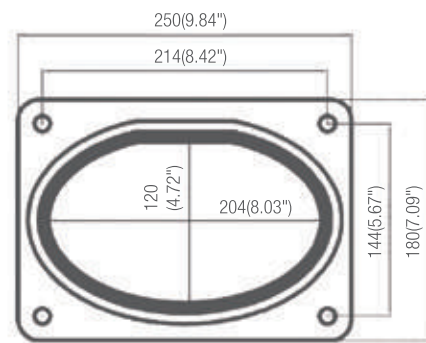
-  Handy setting
-  Energy Saving
-  Easier handling

## FEATURED HIGHLIGHTS

- Energy saving
- Chrome plated mixer for hot and cold water
- High temperature safety cut-off
- Simply clip on a standard garden hose
- Environmental durability engineering plastic material of PVC

## DIMENSIONS

Units: MM (IN)



70534



70535

## ORDER GUIDE

MODEL NUMBER	CAPACITY (L)	MAX WORKING PRESSURE BAR (PSI)	FOOT WASH	HIGH (CM)	WEIGHT KG (LBS)	CARTON DIMENSION (CM)
70534	35	3.5 (50)	No	214	11.5 (25.4)	232x27x20
70535	35	3.5 (50)	Yes	214	11.7 (25.8)	232x27x20

# SOLAR SHOWERS

This solar shower provides a convenient way to rid swimmers of pool chemicals after a dip in the pool, but is also gentle enough to offer a refreshing rinse of solar-heated warm water at all times of the day. It features an internal reservoir tower that collects the sun's rays and warms the water housed within. It is suitable for home, apartments, holiday homes, piers, and the use of the beach and swimming pools. Assembly is quick and easy with little to no tools required. It takes less pump install charge and energy cost, a garden hose water supply is all that you will need to complete you backyard retreat poolside solar shower.

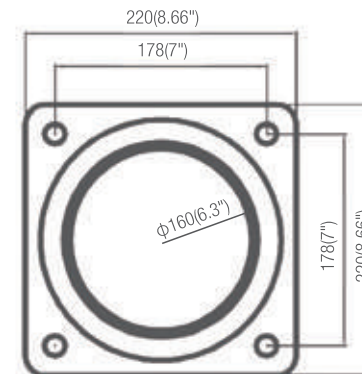
-  Handy setting
-  Energy Saving
-  Easier handling

## FEATURED HIGHLIGHTS

- Energy saving
- Chrome plated mixer for hot and cold water
- High temperature safety cut-off
- Simply clip on a standard garden hose
- Environmental durability material

## DIMENSIONS

Units: MM (IN)



70548

70553

## ORDER GUIDE

MODEL NUMBER	CAPACITY (L)	MAX WORKING PRESSURE BAR (PSI)	FOOT WASH	HIGH (CM)	WEIGHT KG (LBS)	CARTON DIMENSION (CM)
70548	40	3.5(50)	Yes	214	9.6 (21.1)	230x23x24
70553	40	3.5(50)	No	214	10.5 (23.1)	231.5x23x24

# SOLAR SHOWERS

This solar shower provides a convenient way to rid swimmers of pool chemicals after a dip in the pool, but is also gentle enough to offer a refreshing rinse of solar-heated warm water at all times of the day. It features an internal reservoir tower that collects the sun's rays and warms the water housed within. It is suitable for home, apartments, holiday homes, piers, and the use of the beach and swimming pools. Assembly is quick and easy with little to no tools required. It takes less pump install charge and energy cost, a garden hose water supply is all that you will need to complete you backyard retreat poolside solar shower.

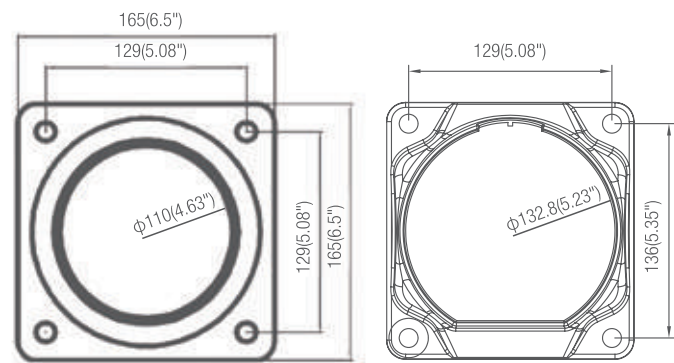
-  Handy setting
-  Energy Saving
-  Easier handling
-  Unique two-pieces design

## FEATURED HIGHLIGHTS

- Energy saving
- Chrome plated mixer for hot and cold water
- High temperature safety cut-off
- Simply clip on a standard garden hose
- Two parts(foldable) design for easier handling
- Environmental durability engineering plastic material of PVC

## DIMENSIONS

Units: MM (IN)



70552



70514

## ORDER GUIDE

MODEL NUMBER	CAPACITY (L)	MAX WORKING PRESSURE BAR (PSI)	HIGH (CM)	WEIGHT KG (LBS)	CARTON DIMENSION (CM)
70514	18	3.5(50)	214	5.9(13.1)	120x36x21
70552	25	3.5(50)	214	8.07(17.8)	127x34x20.5

# SOLAR SHOWERS

This solar shower provides a convenient way to rid swimmers of pool chemicals after a dip in the pool, but is also gentle enough to offer a refreshing rinse of solar-heated warm water at all times of the day. It features an internal reservoir tower that collects the sun's rays and warms the water housed within. It is suitable for home, apartments, holiday homes, piers, and the use of the beach and swimming pools. Assembly is quick and easy with little to no tools required. It takes less pump install charge and energy cost, a garden hose water supply is all that you will need to complete you backyard retreat poolside solar shower.

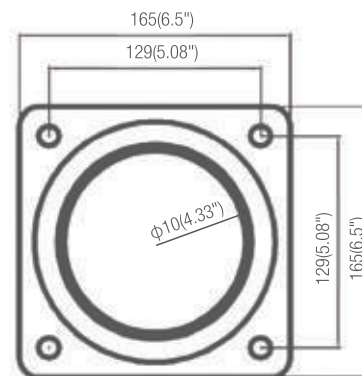
-  Handy setting
-  Energy Saving
-  Easier handling

## FEATURED HIGHLIGHTS

- Energy saving
- Chrome plated mixer for hot and cold water
- High temperature safety cut-off
- Simply clip on a standard garden hose
- Environmental durability engineering plastic material of PVC

## DIMENSIONS

Units: MM (IN)



70509

70508




## ORDER GUIDE

MODEL NUMBER	CAPACITY (L)	MAX WORKING PRESSURE BAR (PSI)	HIGH (CM)	WEIGHT KG (LBS)	CARTON DIMENSION (CM)
70508	18	3.5(50)	214	5.7(12.6)	227x18x18
70509	20	3.5(50)	214	6.4(14.1)	245x18x17.5



# SOLAR SHOWERS

This solar shower provides a convenient way to rid swimmers of pool chemicals after a dip in the pool, but is also gentle enough to offer a refreshing rinse of solar-heated warm water at all times of the day. It features an internal reservoir tower that collects the sun's rays and warms the water housed within. It is suitable for home, apartments, holiday homes, piers, and the use of the beach and swimming pools. Assembly is quick and easy with little to no tools required. It takes less pump install charge and energy cost, a garden hose water supply is all that you will need to complete you backyard retreat poolside solar shower.

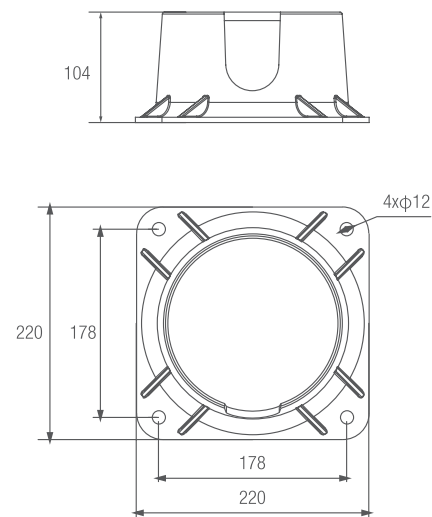
-  Handy setting
-  Energy Saving
-  Easier handling

## FEATURED HIGHLIGHTS

- Energy saving
- Chrome plated mixer for hot and cold water
- High temperature safety cut-off
- Simply clip on a standard garden hose
- Two parts(foldable) design for easier handling
- Environmental durability engineering plastic material of PVC

## DIMENSIONS

Units: MM (IN)



Solar Panel



Solar Panel






## ORDER GUIDE

MODEL NUMBER	CAPACITY (L)	MAX WORKING PRESSURE BAR (PSI)	FOOT WASH	HIGH (CM)	WEIGHT KG (LBS)	CARTON DIMENSION (CM)
70566	40L	3.5(50)	Yes	214	11.5(25.4)	120x44x24

# SOLAR SHOWERS

This solar shower provides a convenient way to rid swimmers of pool chemicals after a dip in the pool, but is also gentle enough to offer a refreshing rinse of solar-heated warm water at all times of the day. It features an internal reservoir tower that collects the sun's rays and warms the water housed within. It is suitable for home, apartments, holiday homes, piers, and the use of the beach and swimming pools. Assembly is quick and easy with little to no tools required. It takes less pump install charge and energy cost, a garden hose water supply is all that you will need to complete you backyard retreat poolside solar shower.

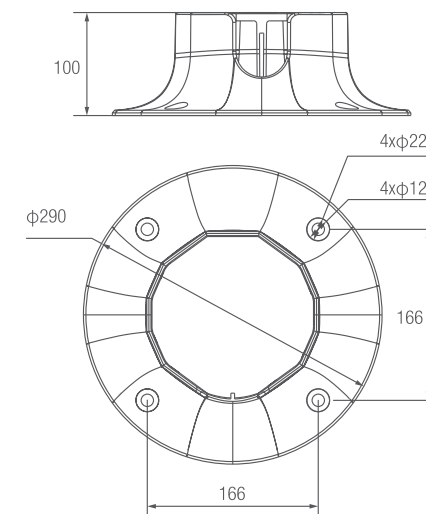
-  Handy setting
-  Energy Saving
-  Easier handling

## FEATURED HIGHLIGHTS

- Energy saving
- Chrome plated mixer for hot and cold water
- High temperature safety cut-off
- Simply clip on a standard garden hose
- Environmental durability engineering plastic material of PVC

## DIMENSIONS

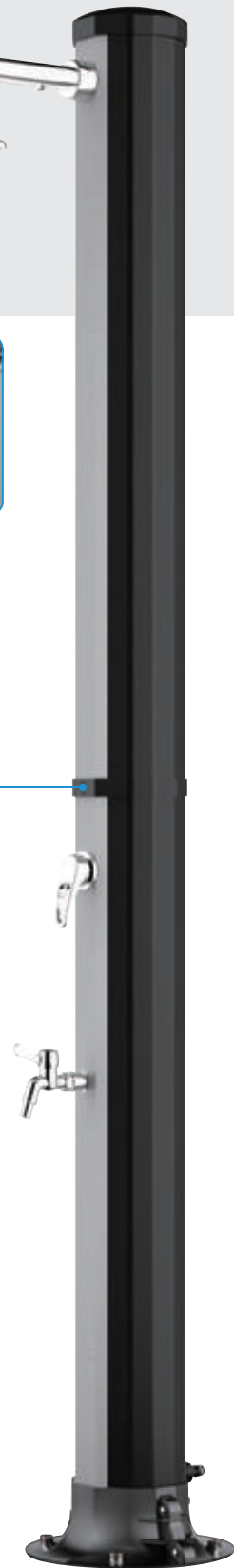
Units: MM (IN)



Solar Panel



Solar Panel



## ORDER GUIDE

MODEL NUMBER	CAPACITY (L)	MAX WORKING PRESSURE BAR (PSI)	FOOT WASH	HIGH (CM)	WEIGHT KG (LBS)	CARTON DIMENSION (CM)
70567	35L	3.5(50)	Yes	214	12.1(26.7)	120x44x31



# SOLAR SHOWERS

This solar shower provides a convenient way to rid swimmers of pool chemicals after a dip in the pool, but is also gentle enough to offer a refreshing rinse of solar-heated warm water at all times of the day. It features an internal reservoir tower that collects the sun's rays and warms the water housed within. It is suitable for home, apartments, holiday homes, piers, and the use of the beach and swimming pools. Assembly is quick and easy with little to no tools required. It takes less pump install charge and energy cost, a garden hose water supply is all that you will need to complete your backyard retreat poolside solar shower.



Handy setting



Easier handling



Energy Saving

## FEATURED HIGHLIGHTS

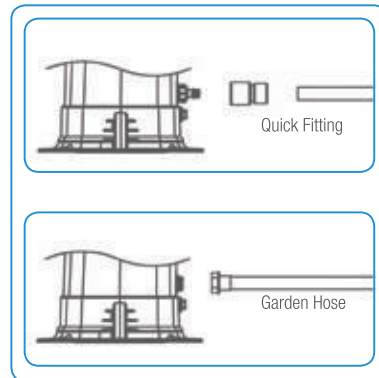
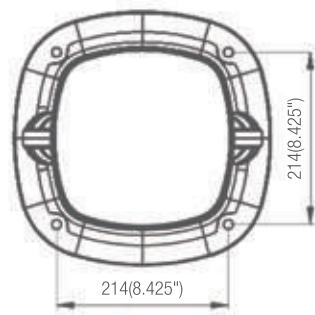
- Energy saving
- Chrome plated mixer for hot and cold water
- High temperature safety cut-off
- Simply clip on a standard garden hose
- Environmental durability engineering plastic material of PPR+PP
- Two water connection options

DECORATIVE COLOR OPTIONS:

- BLUE
- SILVER
- ORANGE
- BLACK

## DEMENSIONS AND WATRE CONNECTION MANNERS

Units: MM (IN)



## ORDER GUIDE

MODEL NUMBER	CAPACITY (L)	MAX WORKING PRESSURE BAR (PSI)	FOOT WASH	HIGH (CM)	WEIGHT KG (LBS)	CARTON DIMENSION (CM)
70562	30	3.5(50)	Yes	217	12.5(27.5)	61.5x16x225

# SOLAR HEATERS

Energy Saving/Easy Set Up/Universal Compatibility



A sun solar panel is the most effective way to warm your pool. Capture free heat from the sun's rays to raise your water temperature! Can add weeks to your pool season. Universal system is suitable for both in ground or above ground pools.

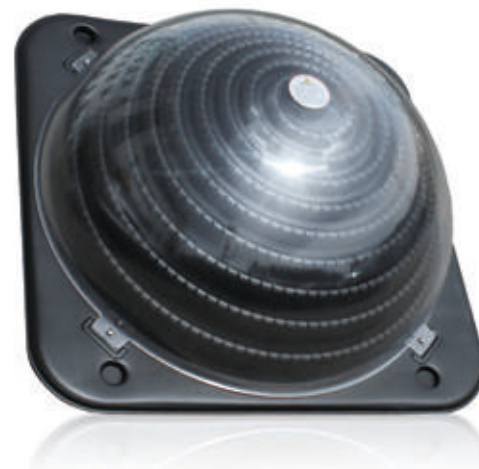


# SOLAR HEATERS

Simple DIY installation; for in ground or above ground pools Installs on roof, rack, ground or fence



70603



70605

IMPORTANT: Bypass Kit (n) is required for connecting Pool Heater(s) to pumps 1 HP or greater or in ground pools

## FEATURED HIGHLIGHTS

- Designed for any size above ground or in ground pool
- Once-molded body, more reliable, lower leaking risks
- Easy to install
- 20 foot length of heating coil
- Space saving footprint
- No electric or gas connections
- Includes protective cover to reduce heat loss
- Fully factory test

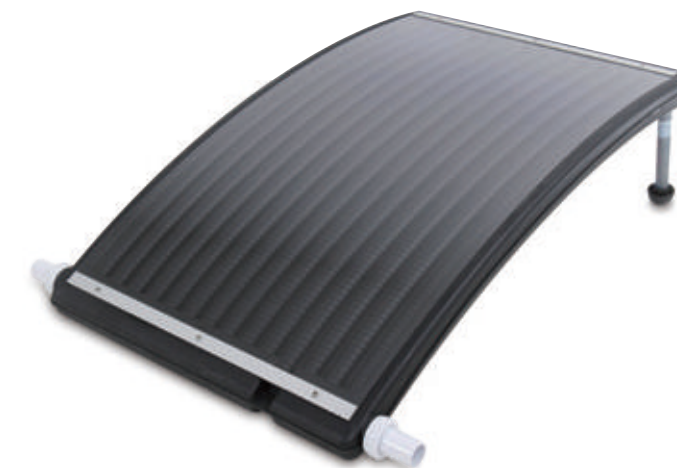
## ORDER GUIDE

MODEL NUMBER	CAPACITY (L)	MAX WORKING PRESSURE BAR (PSI)	CTN QTY	NET WEIGHT LBS (KGS)	CARTON DIMENSION (CM)
70603	5.5	2 (30)	1	16.4(7.38)	70x70x25.5
70605	5.5	2 (30)	1	15(6.7)	76x76x36

# CURVED SOLAR HEATING PANEL

## FEATURED HIGHLIGHTS

- It is the most compact and efficient way to heat your pool.
- Built in adjustable, corrosion-resistant legs angle the unit to attract the most sunlight as possible.
- To get the warmest water possible, multiple heaters can be installed in line.
- Special design eliminates additional bypass kit costs associated with other solar heating systems of the sun to heat pool water



IMPORTANT: Bypass Kitis required for connecting Pool Heater(s) to pumps 1 HP or greater or in ground pools

## ORDER GUIDE

MODEL NUMBER	CAPACITY (L)	MAX WORKING PRESSURE BAR (PSI)	NET WEIGHT LBS (KGS)	CARTON DIMENSION (CM)
70604	14	2 (30)	15(6.7)	72x16x120

# SOLAR HEATING PANEL

## FEATURED HIGHLIGHTS

- Built in adjustable, corrosion-resistant legs angle the unit to attract the most sunlight as possible.
- To get the warmest water possible, multiple heaters can be installed in line.
- Special design eliminates additional bypass kit costs associated with other solar heating systems of the sun to heat pool water



IMPORTANT: Bypass Kitis required for connecting Pool Heater(s) to pumps 1 HP or greater or in ground pools

## ORDER GUIDE

MODEL NUMBER	CAPACITY (L)	MAX WORKING PRESSURE BAR (PSI)	NET WEIGHT LBS (KGS)	CARTON DIMENSION (CM)
70607	3	3(43.5)	13(6)	121x8x69

# SOLAR HEATING PANEL

The solar panel can save your energy costs and add weeks to the swimming season with free, eco-friendly energy from the sun heating the pool water. It use your existing pool pump to circulate water through the solar collectors. It is designed for easy installation and flexible use, which is ideal heater for both above ground an in-ground pools.



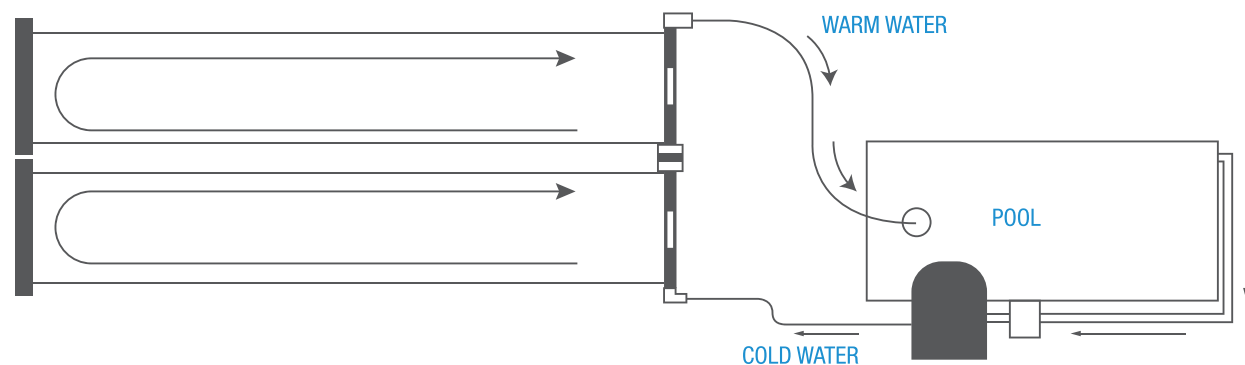
## FEATURED HIGHLIGHTS

- Easy & cost-effective way to heat your pool
- Constructed of engineering grade PP for durability and long life
- Works with most pool pumps
- Quick connect design for easy assembly
- Can also be installed on the roof

## ORDER GUIDE

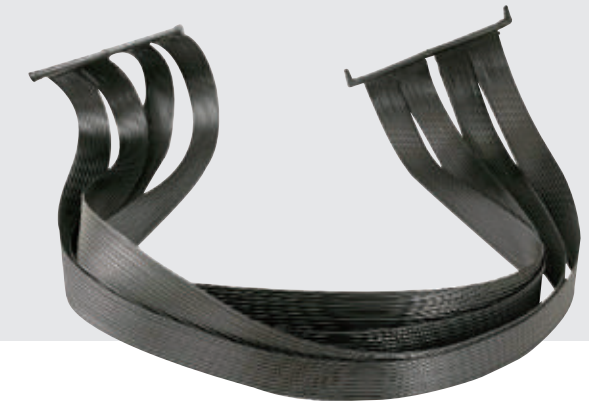
MODEL NUMBER	CAPACITY (L)	MAX WORKING PRESSURE BAR (PSI)	EXPLODE PRESSURE BAR (PSI)
70611	18.4L(2x9.2L)	2 (30)	4(58)
AREA(M <sup>2</sup> )	CONNECTION HOSE SIZE	CARTON SIZE	GROSS WEIGHT LBS(KGS)
8.16	1-1/2" HOSE	400*410*690MM	30(13.4)

## SCHEMATIC DIAGRAM



# SOLAR HEATER

The solar panel can save your energy costs and add weeks to the swimming season with free, eco-friendly energy from the sun heating the pool water. It use your existing pool pump to circulate water through the solar collectors. It is designed for easy installation and flexible use, which is ideal heater for both above ground an in-ground pools.



## FEATURED HIGHLIGHTS

- Heat pool in the environmentally friendly way
- High efficient solar heating
- Easy and fast installation design
- Engineering plastic for durable use
- Bypass kits for large pools are sold separately

## For above ground pool

POOL SIZE		MODEL NUMBER				
ROUND POOL	OVAL POOL	70600000	70600001	70600002	70600003	70601001
12'-18'	12'x24'	1	2	2	1	1
21'-24'	15'x30'-16'x25'	3	6	5	4	3
27'-28'	16'x32'-18'x34'	5	10	8	6	5

## For in-ground pool

POOL SIZE	MODEL NUMBER							
	70600000	70600001	70600002	70600003	70601000	70601001	70601002	70601003
12'-18'	4	8	6	5	2	4	3	2
21'-24'	6	12	9	7	3	6	5	4
27'-28'	8	16	12	10	4	8	6	5

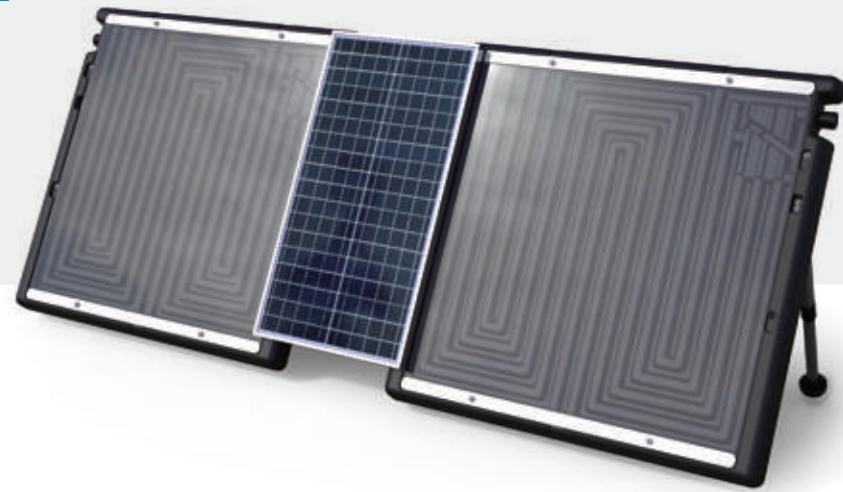
## ORDER GUIDE

MODEL NUMBER	CAPACITY (L)	MAX WORKING PRESSURE BAR (PSI)	EXPLODE PRESSURE BAR (PSI)	AREA(M <sup>2</sup> )	CTN QTY	NET WEIGHT LBS (KGS)	CARTON DIMENSION (CM)
70600000	9.2	2(30)	4(58)	0.68x6=4.08	1	20.3(9.2)	37x37x82
70600001	4.66	2(30)	4(58)	0.68x3=2.04	1	11.88(5.4)	33x33x82
70600002	6.72	2(30)	4(58)	0.68x4=2.72	1	14.7(6.6)	35x35x82
70600003	8	2(30)	4(58)	0.68x5=3.4	1	17.43(7.8)	36x36x82

MODEL NUMBER	CAPACITY (L)	MAX WORKING PRESSURE BAR (PSI)	EXPLODE PRESSURE BAR (PSI)	AREA(M <sup>2</sup> )	CTN QTY	NET WEIGHT LBS (KGS)	CARTON DIMENSION (CM)
70601000	18.4	2(30)	4(58)	1.36x6=8.16	1	40(18.14)	44x44x82
70601001	9.32	2(30)	4(58)	1.36x3=4.08	1	23.3(10.57)	40x40x82
70601002	13.44	2(30)	4(58)	1.36x4=5.44	1	28.86(13.09)	42x42x82
70601003	16	2(30)	4(58)	1.36x5=6.80	1	34.32(15.57)	43x43x82



# TWIN SOLAR HEATING PANEL



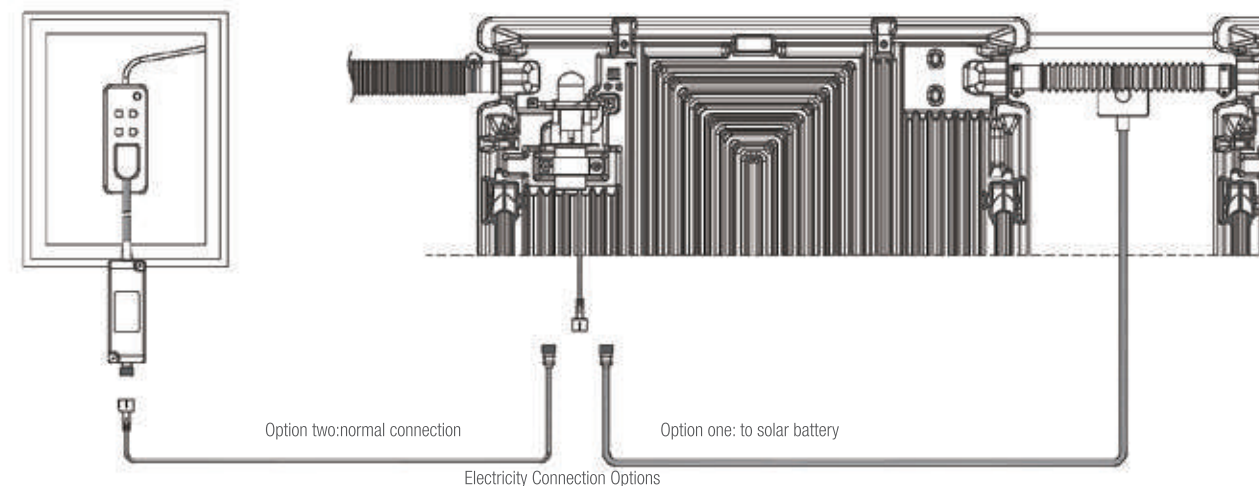
## 70606 OVERVIEW

ITEM	Specification
CAPACITY FOR EACH PANEL	around 5L
WATER FLOW ( FOR TO CONNECT TO THE NATIONALS' ELECTRICAL GRIP)	around 0.8m³/h
MAX. WORKING PRESSURE	2BAR
CONNECTION PORT SIZE	for both 1-1/4" and 1-1/2"
ADJUSTABLE RANGE FOR THE ALUMINUM SUPPORTING FEET	40°~60°to the ground
SPECIFICATION OF THE SMALL PUMP	12V 30W
SPECIFICATION OF THE SOLAR BATTERY	18V 30W
POWER SUPPLY FOR THE SMALL PUMP	connect to the nationals' electrical grip(115V~230V)
CARTON SIZE FOR TWIN SOLAR HEATER	79.5x15x79.5CM

## FEATURED HIGHLIGHTS

- It is the most compact and efficient way to heat your pool.
- Built in adjustable, corrosion-resistant legs angle the unit to attract the most sunlight as possible.
- To get the warmest water possible,multiple heaters can be installed in line
- With solar battery and small pump, no filtration system connection is needed for circulation

## WIRING DIAGRAM



# POOL LIGHTS



SPLASH pool light, makes your pool more colorful!

# POOL LIGHTS

Built in adjustable, corrosion-resistant legs angle the unit to attract the most sunlight as possible.



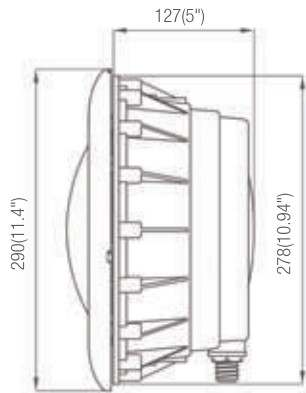
Submersible



Energy Saving

## DIMENSIONS

Units: MM (IN)



## FEATURED HIGHLIGHTS

- Fully submersible and perfectly sealed, waterproof spotlight adds a dazzle of color to your pond or swimming pool.
- Input Voltage: DC/AC 12V ;
- Super bright and long-lasting, equipped with low-power high brightness LED as a light source.
- Ideal for aquarium, fountain or pond, illuminates and colors the aquarium, enliven the garden pond to get ideal atmosphere and beauty.
- Model with color changing remote controller is available.
- Transformer not included

## ORDER GUIDE

MODEL NUMBER	VOLTAGE	BRIGHTNESS	APPLICATION	COLOR	LED
70725	12V/AC/25W	400LM	Concrete Pools	White	PAR56 /315
70726	12V/AC/25W	400LM	PVC Pools	White	PAR56 /315
70727	12V/AC/18W	300LM	Concrete Pools	Muticolor	PAR56 /252
70728	12V/AC/18W	300LM	PVC Pools	Muticolor	PAR56 /252
70723	12V/AC/300W		Concrete Pools		Halogen Lamp
70724	12V/AC/300W		PVC Pools		Halogen Lamp

# POOL LIGHTS

Brightness: Universal SPLASH Pool, Spa & Backyard Lights are 100% brighter than any other color LED light.  
 Energy Savings: Universal SPLASH Pool, Spa & Backyard Lights save up to 86% on energy costs.  
 Low-Voltage: SPLASH Pool, Spa & Backyard Lights are low-voltage and ETL-listed for safe wall and floor installation.  
 Performance: SPLASH Pool, Spa & Backyard Lights last 10 times longer than incandescent bulbs



Submersible



Energy Saving



70741



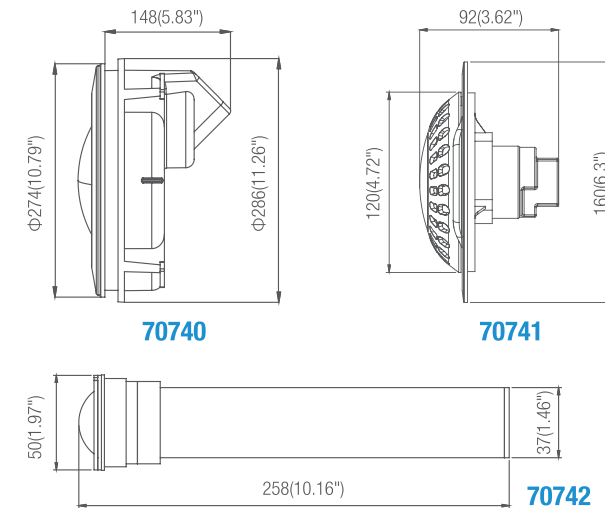
70742



70740

## DIMENSIONS

Units: MM (IN)



## FEATURED HIGHLIGHTS

- Choose from 10 solid colors and 7 dynamic.
- Easy maintenance.
- Can communicate with the controller
- No need to lower the water level while repairing
- Transformer is not included

## ORDER GUIDE

MODEL NUMBER	VOLTAGE	APPLICATION	COLOR	LED PCS	CTN QTY	SHIPPING WEIGHT LBS.	CARTON SIZE(CM)
70740	14V/AC/70W	Concrete Pool	White/Multi	24	1	7.9	37x37x21
70741	14V/AC/15W	Concrete Pool	Multicolor	12	1	7.4	20x20x15
70742	14V/AC/23W	PVC Pool	Muticolor	17	1	5.1	47x20x15



# POOL LIGHTS

Power requirements for colorful and white LEDs: 12V ~ 14V AC 50 / 60Hz.  
 Protection level of swimming pool lighting: IPX8 to 2.0m deep  
 Temperature range: 0 ° C to + 40 ° C pool water temperature  
 Installation position: At least 100MM below water level  
 Power consumption (white LED): 15W maximum at all voltages 12V ~ 14V  
 Power consumption (colorful LED): 75W maximum at all voltages 12V ~ 14V  
 Lamp color: white = > 5000K, blue = 475nm, green = 525nm  
 Light output: white = 1050 lumens, blue = 300 lumens, green = 650 lumens



Submersible



Energy Saving

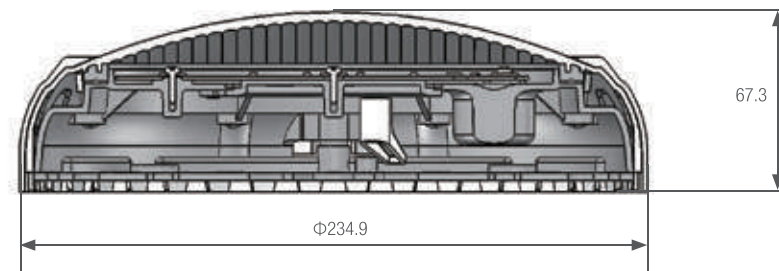


Colorful



## DIMENSIONS

Units: MM (IN)



## ORDER GUIDE

MODEL NUMBER	Input(Volts Amp Watts)
70744000	12Vac,60Hz,6.2A,75W
70744100	12Vac,60Hz,1.2A,15W

# LIGHT FOUNTAIN

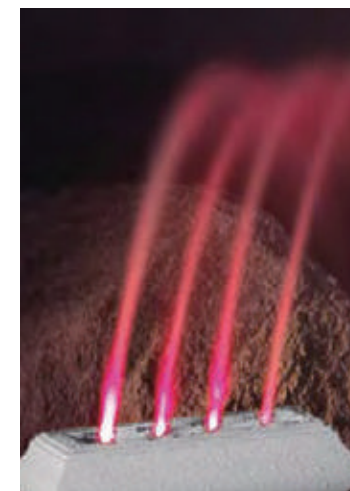
Use the recycled water from your filtration system to provide energy. The fountains do not need electricity or battery to start working. The water flow makes the generator work, and the LED lights will change automatically to shoot out different colors and enjoy the colorful water.



Energy Saving



Colorful



## ORDER GUIDE

MODEL NUMBER	WORK PRESSURE BAR (PSI)	PIPE SIZE	CARTON DIMENSION
70750	>0.5 (7.2)<1.5 (21.6)	1 1/2"	71.5x32.5x29(10pcs)



# LEISURE PRODUCTS



Make a splash in your summer pool party with SPLASH leisure products!

## POOL BASKETBALL HOOP SET 98704000

Turn your home swimming pool into a complete aquatic sports center with the pool sport. This is the ultimate way to get the most fun out of your swimming pool. Good, clean fun for the whole family.



### FEATURED HIGHLIGHTS

- Easy to set up, sturdy structure
- Look great in our backyard
- Come with splash hoop, 1 inflatable water basketball and ball pump
- The super-tough polyethylene basketball hoop base holds 210 lbs (95KGS) of water.



Easier Set up



Complete kit



### DIMENSIONS

Units: MM (IN)

