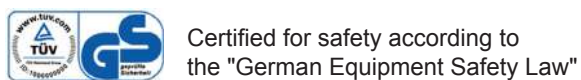
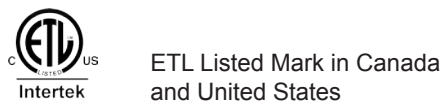
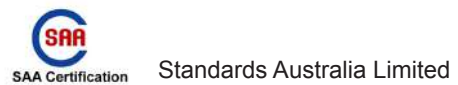
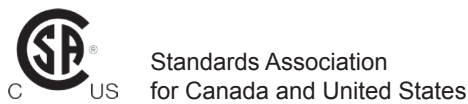
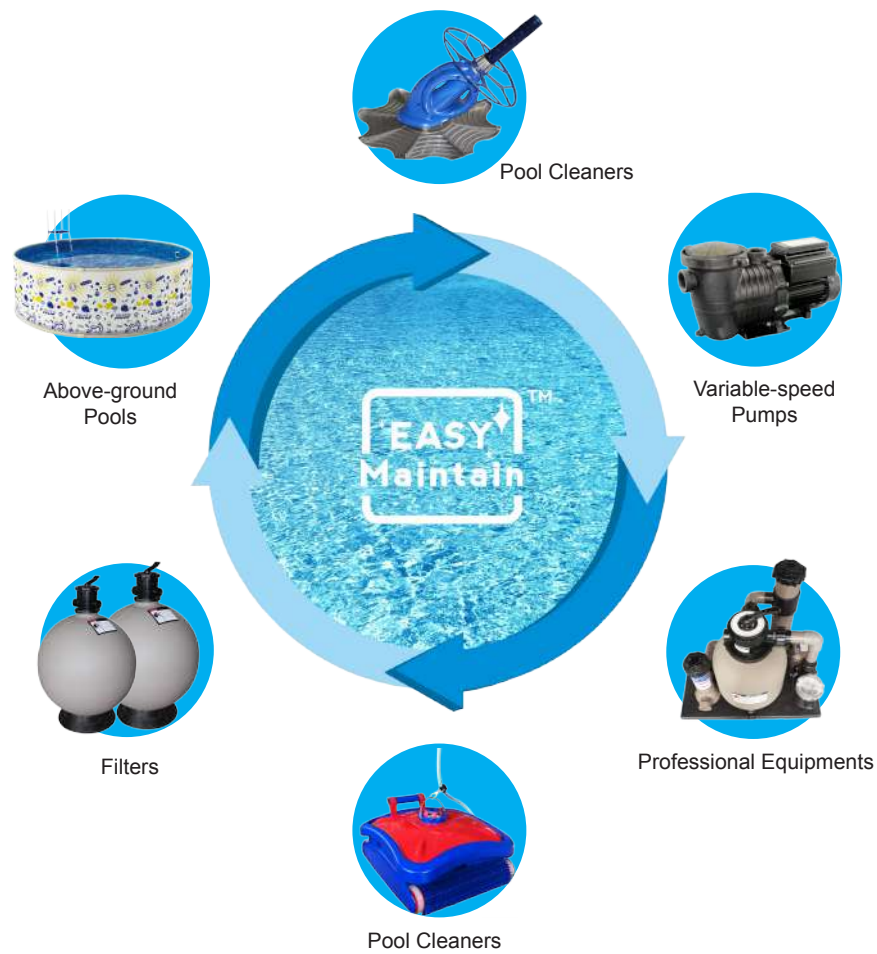




SPLASH POOL
APPLIANCE



Our products are designed and engineered to deliver optimal performance, efficiency, durability and value



content

01 Pumps
01-14

02 Filters
17-28

03 Systems
29-39

04 Solar Products
40-47

05 Auto Cleaners
48-53

06 Others
54-59

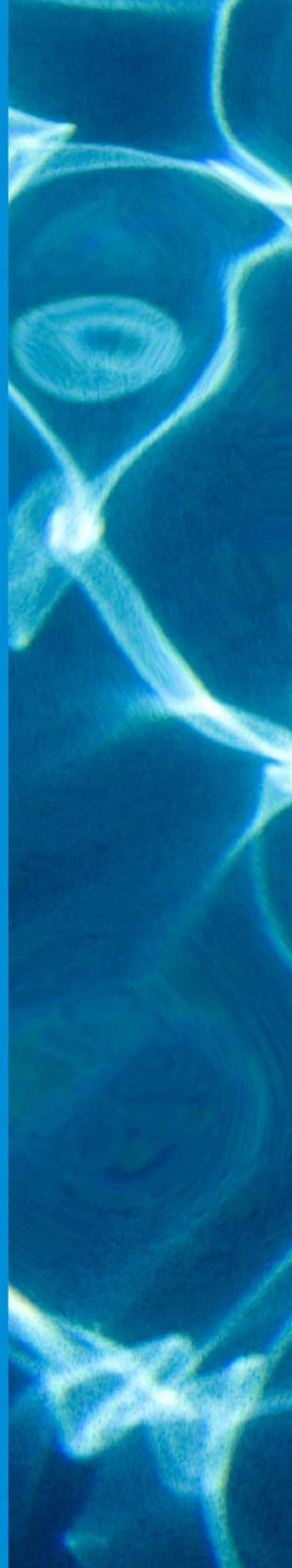
07 Ladders
60-65

08 White Goods
66-68

09 Above-ground Pools
69~

Note

In line with the policy of continued development the manufacturer reserves the right to amend the specifications without prior notification, the pictures and data in the catalogue are for consultation only, if there is fluctuation, according to the real object please.



Swimming Pool Pump

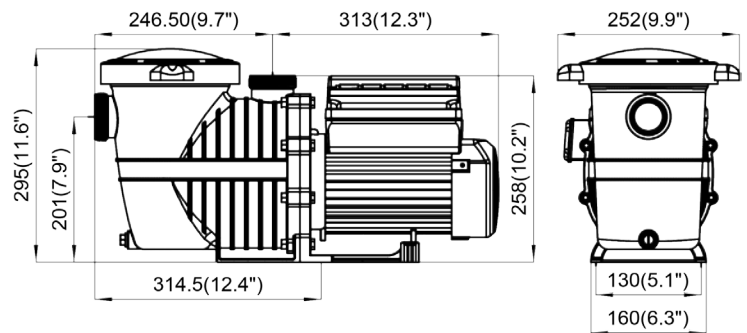
Energy efficiency, extended service life. Due to highly innovative motor technology, the self-priming circulation pump is revolutionizing energy consumption, operating costs, water quality and lower CO2 emissions in swimming pools. All these advantages are through by two key innovations. First, uses an exclusive permanent magnet motor, a fundamentally more energy efficient design compared to traditional induction motors. Another includes a variable speed capability, along with digital controls and proprietary software that allow custom programming of optimum pump speeds for specific needs.



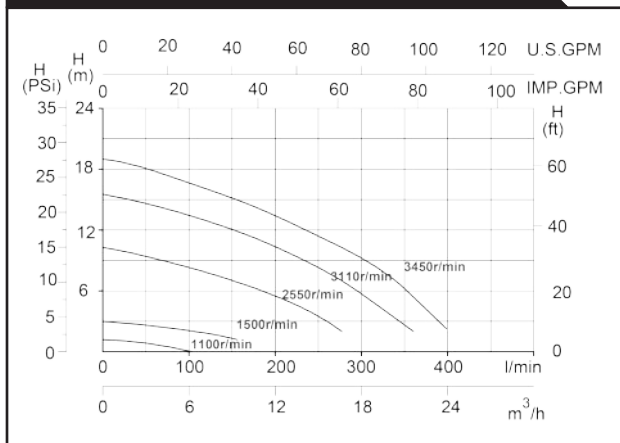
Features

- Suitable for various pool sizes
- Innovative diffuser and high-efficiency impeller maximize water flow and energy efficiency while minimizing noise and operating costs
- All components molded of corrosion-proof reinforced thermoplastic for extra durability and long life
- See-through lid makes inspection fast and easy-engineered polymer remains clear and strong. Besides lid is easy to remove and quickly locks in place with a quarter-turn
- Programmable speeds
 - Schedule
 - Duration
 - Manual
 - Four speed modes

- LCD display
- Massive strainer basket for ease of maintenance
- American design mechanical seal using carbon to ceramic sealing surfaces
- Stainless steel shaft
- Fully factory tested
- Simple servicing
- Self-priming



Performance Curves



MODEL TECHNICAL DATA

Model Number	H.P.	Voltage	Pipe Size	Dim. "L"	Ctn. Qty.	Net. Weight
72550	1.5	230	1 1/2"	313(12.3")	1	27 lbs.
Model Number	Description				Ctn. Qty.	Net. Weight
Optional Accessories						
91382	1 1/2" Union Connection Kit-curved (48mm)				1	0.33 lb.
91384	1 1/2" Union Connection Kit-curved (50mm)				1	0.33 lb.

Swimming Pool Pump

Efficient. Dependable. This full-flow hydraulics design moves water more efficiently and more quietly than competitive pump. Under typical operating conditions, it offers the highest water flow of any high performance pump, yet with the lowest operating costs. The pumps are easy to maintain and due to its integrated big strainer basket, the cleaning intervals become longer. Fields of application include any size pool or pool and spa combination.

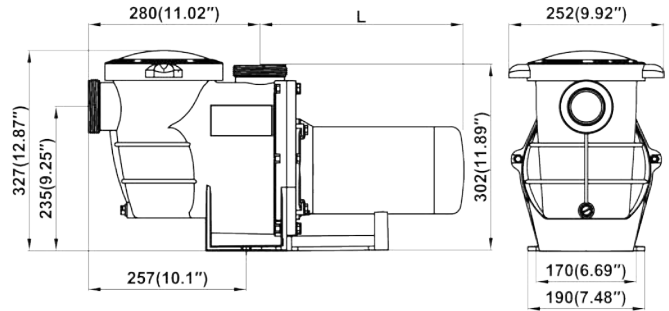


Features

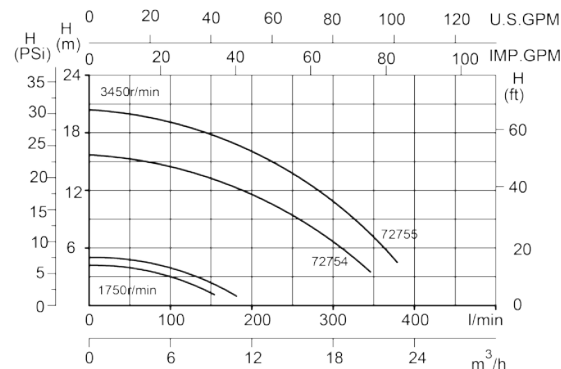
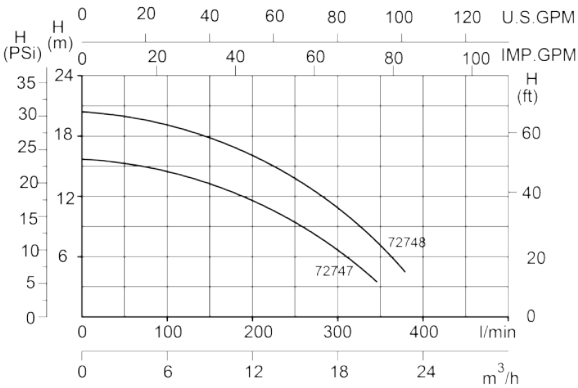
- Innovative diffuser and high-efficiency impeller maximize water flow and energy efficiency while minimizing noise and operating costs
- All components molded of corrosion-proof reinforced thermoplastic for extra durability and long life
- Heavy-duty, high performance motor for quieter, cooler operation
- See-through lid makes inspection fast and easy-engineered polymer remains clear and strong. Besides lid is easy to remove and quickly locks in place with a quarter-turn

- Massive strainer basket for ease of maintenance
- American design mechanical seal using carbon to ceramic sealing surfaces
- Stainless steel shaft
- Simple servicing
- Fully factory tested
- Self-priming

All models available with dual-speed motors



Performance Curves



MODEL TECHNICAL DATA

Model Number	H.P.	Voltage	Pipe Size	Dim. "L"	Ctn. Qty.	Net. Weight	
Single-Speed							
72747	1	115/230	2"	14.2"	1	27.4 lbs.	
72748	1.5	115/230	2"	14.6"	1	31.7 lbs.	
Dual-Speed							
72754	1/0.21	115	2"	14.6"	1	28 lbs.	
72755	1.5/0.26	230	2"	15"	1	33 lbs.	
Model Number	Description					Ctn. Qty.	Net. Weight
Optional Accessories							
91301	2"Union Connection Kit-curved(60mm)				1	0.45 lb.	
91303	1 1/2"Union Connection Kit-curved (48mm)				1	0.45 lb.	

Swimming Pool Pump

Designed for today's most demanding installations. The medium head pump has been engineered for durability and quiet performance with economy in mind. This all-around, self-priming pump with large pump basket is ideally suited for all above-ground, on-ground and small in-ground pools. Exclusive features such as high efficiency motor, 100% recyclable "environment friendly" plastics, and carbon to ceramic sealing surfaces design will make medium head pump the leading pump choice of all pool professionals.

Features

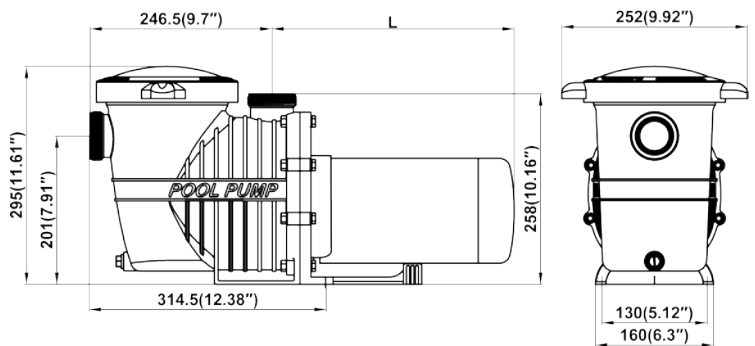
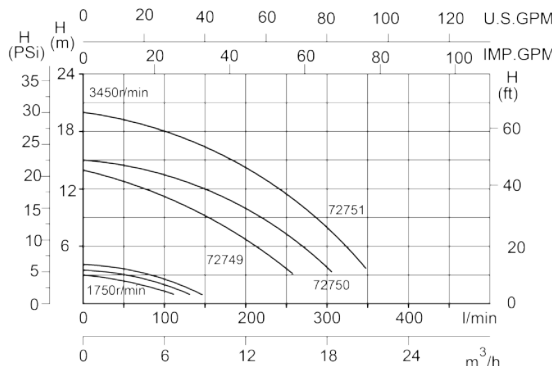
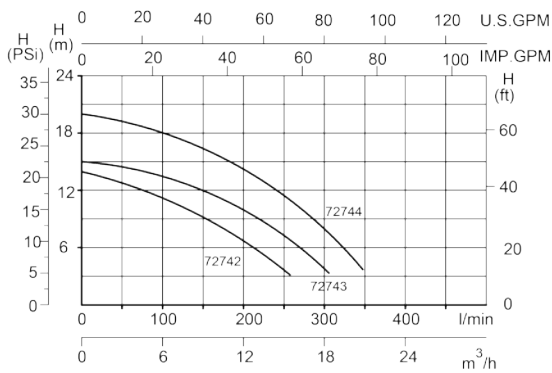
- Rugged, one-piece strainer housing molded of corrosion-proof reinforced thermoplastic for extra durability and long life
- Exclusive, high-performance motor design for quieter, cooler and more energy efficient operation
- Specially constructed clear lid with locking ring design is easy to open. Large strainer basket is always locked in place
- American design mechanical seal using carbon to ceramic sealing surfaces
- Stainless steel shaft



- High profile motor mounting base
- Fully factory tested
- Simple servicing
- Self-priming

Motors 115 Volt for above-ground pools and 115/230 Volts for in-ground pools all models available with 2 speed motors.

Performance Curves



MODEL TECHNICAL DATA

Model Number	H.P.	Voltage	Pipe Size	Dim. "L"	Ctn. Qty.	Net. Weight
Single-Speed						
72742	3/4	115	1 1/2"	12.1"	1	21.4 lbs.
72743	1	115/230	1 1/2"	12.4"	1	22.6 lbs.
72744	1.5	115/230	1 1/2"	13.1"	1	27.4 lbs.
Dual-Speed						
72749	0.75/0.16	115	1 1/2"	12.5"	1	22.3 lbs.
72750	1/0.21	115	1 1/2"	12.9"	1	24.1 lbs.
72751	1.5/0.26	230	1 1/2"	13.5"	1	28.8 lbs.
Model Number	Description				Ctn. Qty.	Net. Weight
Optional Accessories						
91382	1 1/2" Union Connection Kit-curved (48mm)				1	0.33 lb.

Swimming Pool Pump

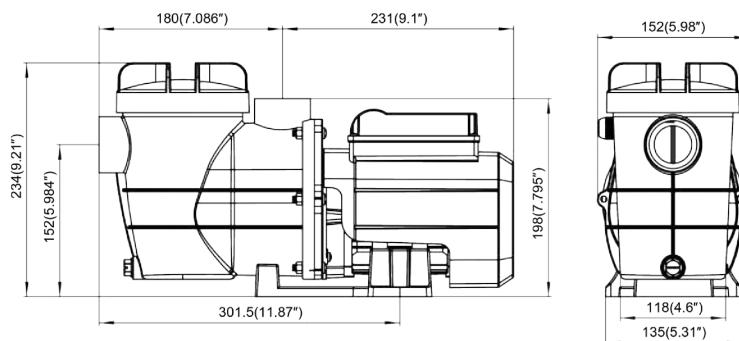
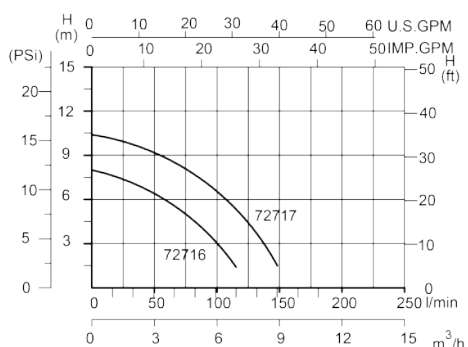
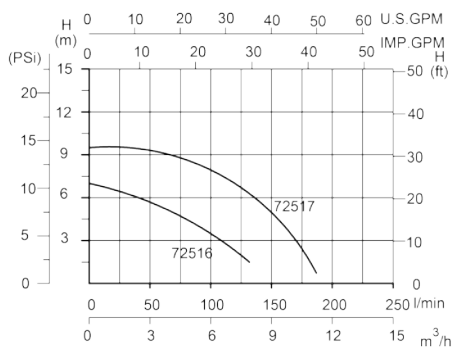
Compact, energy-saving, budget-priced. It is a high-performance pump series designed for applications in small filtration plants, splash pool. Combining durable, corrosion-proof construction with advanced features and options, this series pump sets the standard for value and performance. It is the pool professional's choice for superior performance and unparalleled quality.



Features

- Exclusive corrosion-proof housing for all-weather performance and quiet operation High performance motor with integrated automatic thermal overload protector
 - High performance impeller
 - Clear cover lets you see when basket needs cleaning
 - Integral drain plug for easy winterization of pump
 - American design mechanical seal using carbon to ceramic sealing surfaces
 - Stainless steel shaft
 - Simple servicing
 - Fully factory tested
 - Self-priming
- All model available with timer

Performance Curves



MODEL TECHNICAL DATA

Model Number	H.P.	Voltage	Pipe Size	Ctn. Qty.	Net. Weight
Single-Speed					
72516	0.25	220-240	1 1/2"	1	10.9 lbs.
72517	0.35	220-240	1 1/2"	1	12.8 lbs.
Single-Speed					
72716	0.25	115	1 1/2"	1	11 lbs.
72717	0.35	115	1 1/2"	1	12.5 lbs.
Model Number	Description	Ctn. Qty.	Net. Weight		
Optional Accessories					
47303014	adaptor 1 1/2" male threaded x 1 1/2" x 1 1/4" smooth	1	0.06 lb.		

Swimming Pool Pump

This series of pump has been engineered as a uniquely superior above-ground pool pump. The self-priming pool pump range offers commercial pool pump quality for residential pools, to ensure durability, superior performance and quiet operation. Our pump continues to set standards for the future by using 100% recyclable plastic which is environmentally friendly.

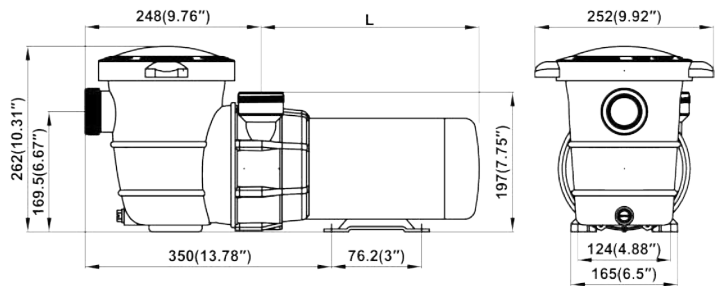
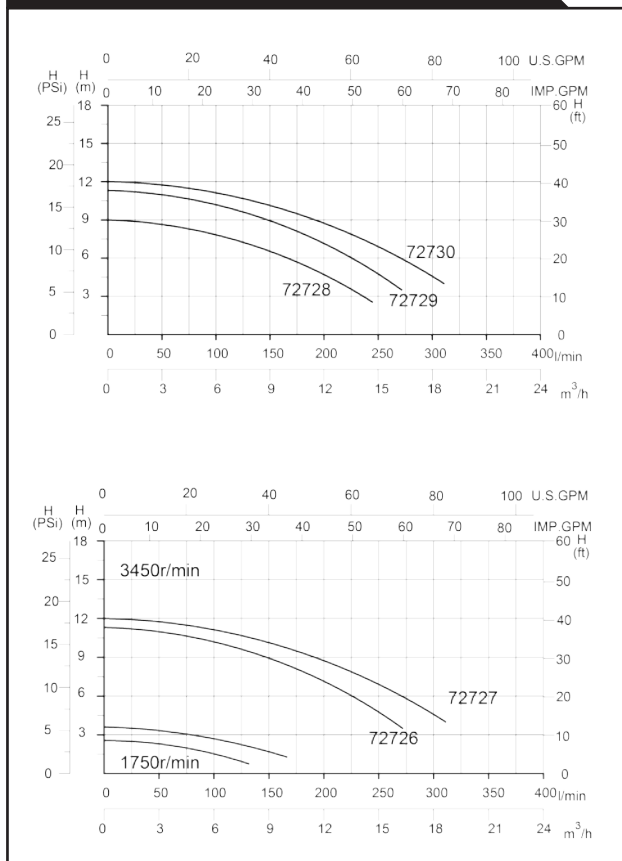
Features

- Durable, corrosion-proof housing for dependable service and all-weather performance
- Heavy-duty, high performance motor with integrated automatic thermal overload protector
- See-through lid makes inspection fast and easy-engineered polymer remains clear and strong. Besides lid is easy to remove and quickly locks in place with a quarter-turn
- Massive strainer basket for large debris collection with minimal maintenance Integral drain plug for easy winterization of pump



- American design mechanical seal using carbon to ceramic sealing surfaces
 - Stainless steel shaft
 - Fully factory tested
 - Simple servicing
 - Self-priming
- 1.0HP and 1.5HP model with dual-speed motors*

Performance Curves



MODEL TECHNICAL DATA

Model Number	H.P.	Voltage	Pipe Size	Dim. "L"	Ctn. Qty.	Net. Weight
Single-Speed						
72728	0.75	115	1 1/2"	11.5"	1	19.9 lbs.
72729	1	115	1 1/2"	11.8"	1	21.7 lbs.
72730	1.5	115	1 1/2"	12"	1	23.2 lbs.
Dual-Speed						
72726	1/0.41	115	1 1/2"	11.9"	1	21.8 lbs.
72727	1.5/0.46	115	1 1/2"	12.2"	1	23.9 lbs.
Model Number	Description				Ctn. Qty.	Net. Weight
Optional Accessories						
91382	1 1/2" Union Connection Kit-curved (48mm)				1	0.33 lb.

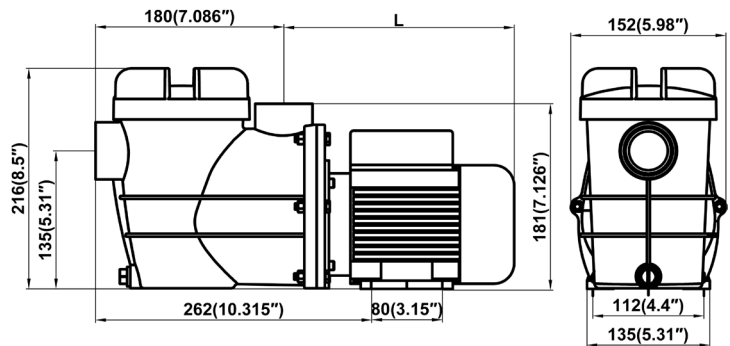
Swimming Pool Pump

Compact, energy-saving, budget-priced. It is a high-performance pump series designed for applications in small filtration plants, splash pool. Combining durable, corrosion-proof construction with advanced features and options, this series pump sets the standard for value and performance. It is the pool professional's choice for superior performance and unparalleled quality.

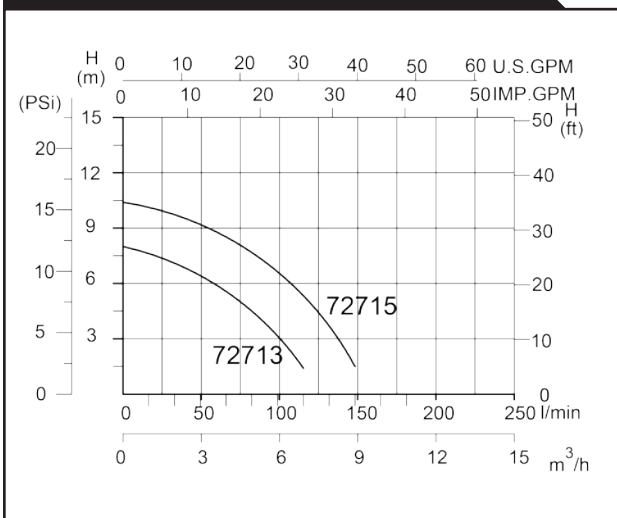


Features

- Exclusive corrosion-proof housing for all-weather performance and quiet operation High performance motor with integrated automatic thermal overload protector
- High performance impeller
- Clear cover lets you see when basket needs cleaning
- Integral drain plug for easy winterization of pump
- American design mechanical seal using carbon to ceramic sealing surfaces
- Stainless steel shaft
- Simple servicing
- Fully factory tested
- Self-priming



Performance Curves



MODEL TECHNICAL DATA

Model Number	H.P.	Voltage	Pipe Size	Dim. "L"	Ctn. Qty.	Net. Weight
Single-Speed						
72713	0.25	115	1 1/2"	9.5"	1	10.8 lbs.
72715	0.35	115	1 1/2"	9.5"	1	12.7 lbs.
Optional Accessories						
47303014	adaptor 1 1/2" male threaded x 1 1/2" x 1 1/4" smooth				1	0.06 lb.

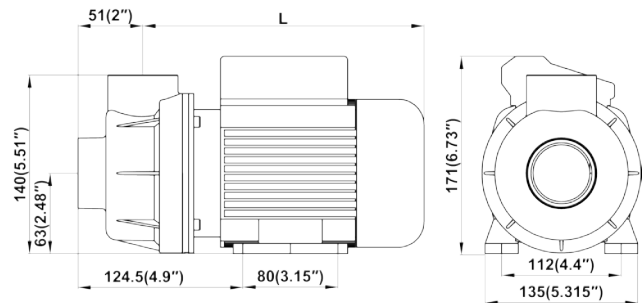
Swimming Pool Pump

This series pump is used advanced technology with high efficiency and minimized noise. The pumps operation documented in rigorous ETL tests. It is especially designed for applications in small filtration plants, splash pools.

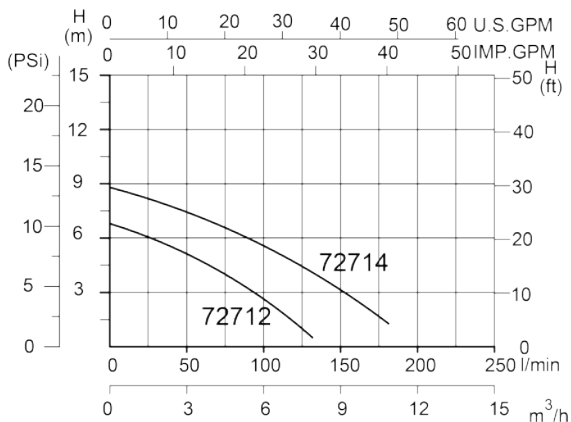


Features

- Plastic components are 100% recyclable
- High performance motor with integrated automatic thermal overload protector
- High performance impeller
- American design mechanical seal using carbon to ceramic sealing surfaces
- Stainless steel shaft
- Fully factory tested
- Simple servicing
- Simple servicing



Performance Curves



MODEL TECHNICAL DATA

Model Number	H.P.	Voltage	Pipe Size	Dim. "L"	Ctn. Qty.	Net. Weight
Single-Speed						
72712	0.25	115	1 1/2"	9"	1	8.4 lbs.
72714	0.35	115	1 1/2"	9"	1	10.4 lbs.
Model Number	Description				Ctn. Qty.	Net. Weight
Optional Accessories						
47303014	adaptor 1 1/2" male threaded x 1 1/2" x 1 1/4" smooth				1	0.06 lb.

Swimming Pool Pump

This series of pump has been engineered as a uniquely superior above-ground pool pump. The self-priming pool pump range offers commercial pool pump quality for residential pools, to ensure durability, superior performance and quiet operation. Our pump continues to set standards for the future by using 100% recyclable plastic which is environmentally friendly.

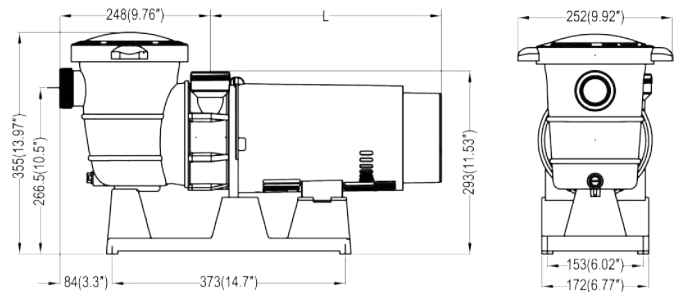
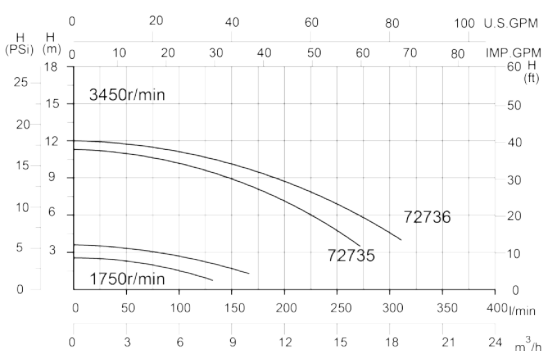
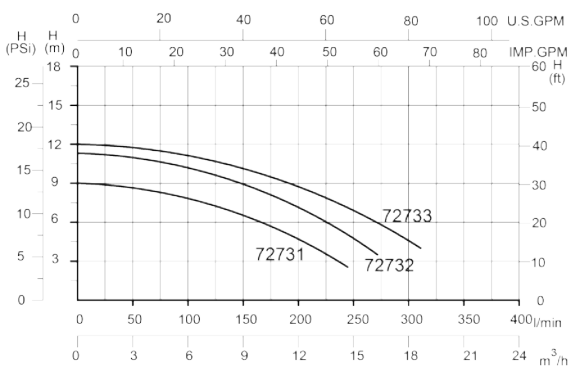


Features

- Durable, corrosion-proof housing for dependable service and all-weather performance
- Heavy-duty, high performance motor with integrated automatic thermal overload protector
- Massive strainer basket for ease of maintenance
- See-through lid makes inspection fast and easy-engineered polymer remains clear and strong. Besides lid is easy to remove and quickly locks in place with a quarter-turn

- American design mechanical seal using carbon to ceramic sealing surfaces
 - Stainless steel shaft
 - Pump operation documented in rigorous CSA tests
 - Simple servicing
 - Double-insulated designed
 - Self-priming
- 1.0HP and 1.5HP model with dual-speed motors*

Performance Curves



MODEL TECHNICAL DATA

Model Number	H.P.	Voltage	Pipe Size	Dim. "L"	Ctn. Qty.	Net. Weight
Single-Speed						
72731	0.75 SPL	115	1 1/2"	14.1"	1	23 lbs.
72732	1.0 SPL	115	1 1/2"	14.4"	1	24.8 lbs.
72733	1.5 SPL	115	1 1/2"	14.6"	1	26.3 lbs.
Dual-Speed						
72735	1.0/0.41SPL	115	1 1/2"	14.4"	1	24.6 lbs.
72736	1.5/0.46SPL	115	1 1/2"	14.6"	1	26.3 lbs.
Model Number	Description				Ctn. Qty.	Net. Weight
Optional Accessories						
91382	1 1/2" Union Connection Kit-curved				1	0.33 lb.

Swimming Pool Pump

Designed for today's most demanding installations. The medium head pump has been engineered for durability and quiet performance with economy in mind. This all-around, self-priming pump with large pump basket is ideally suited for all above-ground, on-ground and small in-ground pools. Exclusive features such as high efficiency motor, 100% recyclable "environment friendly" plastics, and carbon to ceramic sealing surfaces design will make medium head pump the leading pump choice of all pool professionals.

Features

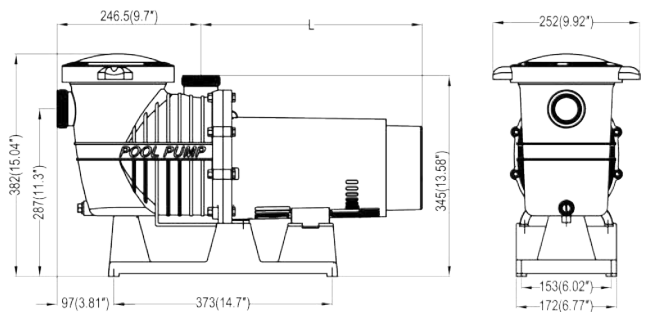
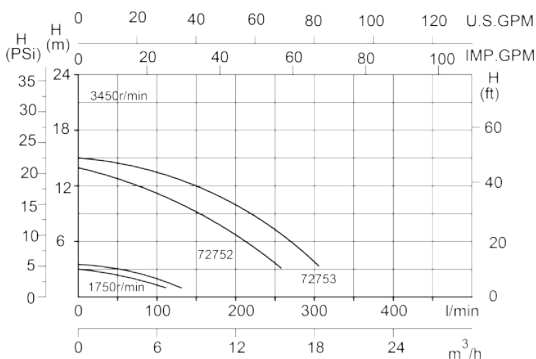
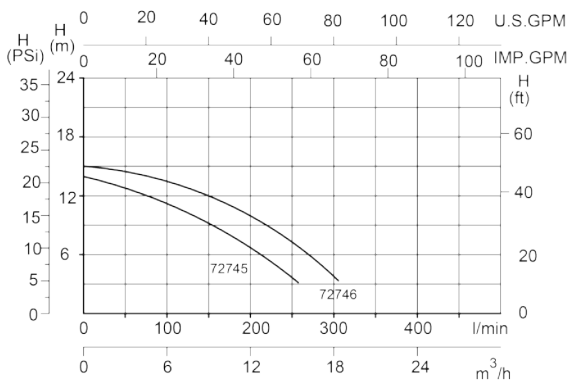
- Durable, corrosion-proof housing for dependable service and all-weather performance
- Heavy-duty, high performance motor with integrated automatic thermal overload protector
- Massive strainer basket for ease of maintenance
- See-through lid makes inspection fast and easy-engineered polymer remains clear and strong. Besides lid is easy to remove and quickly locks in place with a quarter-turn



- American design mechanical seal using carbon to ceramic sealing surfaces
- Stainless steel shaft
- Pump operation documented in rigorous CSA tests
- Simple servicing
- Double-insulated designed
- Self-priming

1.0HP and 1.5HP model with dual-speed motors

Performance Curves



MODEL TECHNICAL DATA

Model Number	H.P.	Voltage	Pipe Size	Dim. "L"	Ctn. Qty.	Net. Weight
Single-Speed						
72745	0.75	115	1 1/2"	14.8"	1	26 lbs.
72746	1	115	1 1/2"	15"	1	27.8 lbs.
Dual-Speed						
72752	0.75/0.16	115	1 1/2"	14.8"	1	26.2 lbs.
72753	1/0.21	115	1 1/2"	15"	1	28 lbs.
Model Number	Description				Ctn. Qty.	Net. Weight
Optional Accessories						
91382	1 1/2" Union Connection Kit-curved				1	0.33 lb.

Swimming Pool Pump

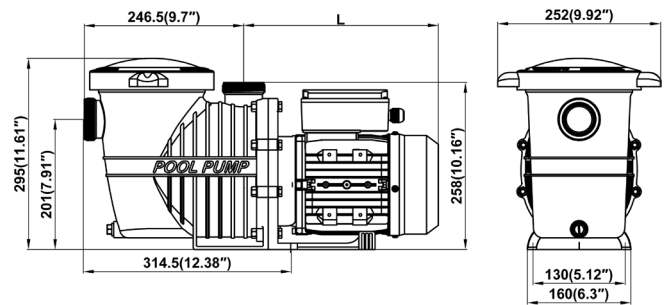
Designed for today's most demanding installations. The medium head pump has been engineered for durability and quiet performance with economy in mind. This all-around, self-priming pump with large pump basket is ideally suited for all above-ground, on-ground and small in-ground pools. Exclusive features such as high efficiency motor, 100% recyclable "environment friendly" plastics, and carbon to ceramic sealing surfaces design will make medium head pump the leading pump choice of all pool professionals.



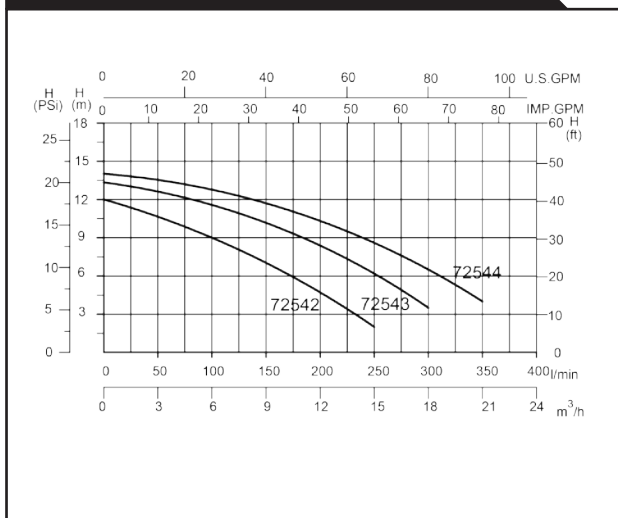
Features

- Rugged, one-piece strainer housing molded of corrosion-proof reinforced thermoplastic for extra durability and long life
- Exclusive, high-performance motor design for quieter, cooler and more energy efficient operation
- Massive strainer basket for ease of maintenance
- See-through lid makes inspection fast and easy-engineered polymer remains clear and strong. Besides lid is easy to remove and quickly locks in place with a quarter-turn
- American design mechanical seal using carbon to ceramic sealing surfaces

- Stainless steel shaft
- High profile motor mounting base
- Fully factory tested
- Simple servicing
- Self-priming



Performance Curves



MODEL TECHNICAL DATA

Model Number	H.P.	Voltage	Pipe Size	Dim. "L"	Ctn. Qty.	Net. Weight
Single-Speed						
72542	0.75	220~240	1 1/2"	281	1	21.7 lbs.
72543	1.0	220~240	1 1/2"	316	1	26 lbs.
72544	1.5	220~240	1 1/2"	316	1	29.6 lbs.
Model Number	Description				Ctn. Qty.	Net. Weight
Optional Accessories						
91384	1 1/2" Union Connection Kit-curved				1	0.33 lb.

Swimming Pool Pump

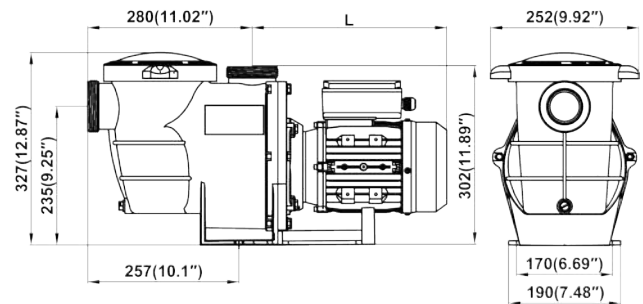
Efficient. Dependable. This full-flow hydraulics design moves water more efficiently and more quietly than competitive pump. Under typical operating conditions, it offers the highest water flow of any high performance pump, yet with the lowest operating costs. The pumps are easy to maintain and due to its integrated big strainer basket, the cleaning intervals become longer. Fields of application include any size pool or pool and spa combination.



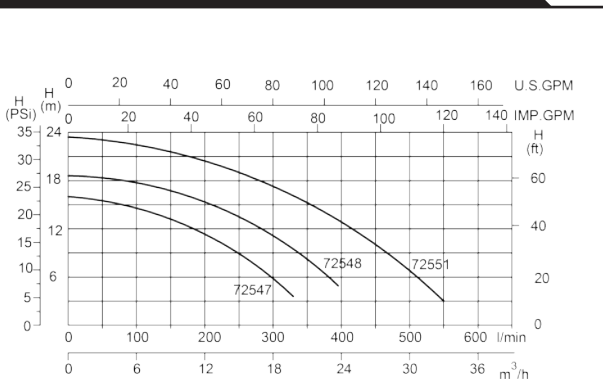
Features

- Innovative diffuser and high-efficiency impeller maximize water flow and energy efficiency while minimizing noise and operating costs
- All components molded of corrosion-proof reinforced thermoplastic for extra durability and long life
- Heavy-duty, high performance motor for quieter, cooler operation
- See-through lid makes inspection fast and easy-engineered polymer remains clear and strong. Besides lid is easy to remove and quickly locks in place with a quarter-turn
- Massive strainer basket for ease of maintenance

- American design mechanical seal using carbon to ceramic sealing surfaces
- Stainless steel shaft
- Simple servicing
- Fully factory tested
- Self-priming



Performance Curves



MODEL TECHNICAL DATA

Model Number	H.P.	Voltage	Pipe Size	Dim. "L"	Ctn. Qty.	Net. Weight
Single-Speed						
72547	1.0	220~240	2"	331	1	29.6 lbs.
72548	1.5	220~240	2"	331	1	33.3 lbs.
72551	3.0	380	2"	395	1	43.8 lbs.
Model Number	Description				Ctn. Qty.	Net. Weight
Optional Accessories						
91302	2"Union Connection Kit-curved				1	0.45 lb.
91304	1 1/2"Union Connection Kit-curved				1	0.45 lb.

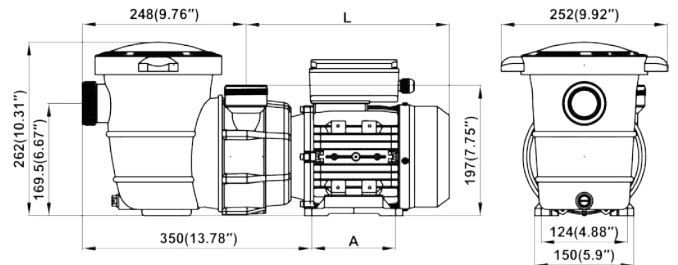
Swimming Pool Pump

This series of pump has been engineered as a uniquely superior above-ground pool pump. The self-priming pool pump range offers commercial pool pump quality for residential pools, to ensure durability, superior performance and quiet operation. Our pump continues to set standards for the future by using 100% recyclable plastic which is environmentally friendly.

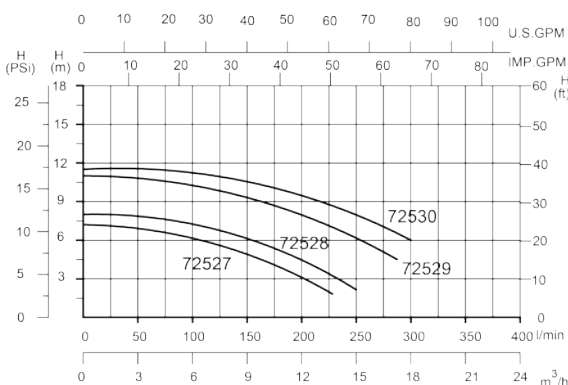


Features

- Durable, corrosion-proof housing for dependable service and all-weather performance
- Heavy-duty, high performance motor with integrated automatic thermal overload protector
- See-through lid makes inspection fast and easy-engineered polymer remains clear and strong. Besides lid is easy to remove and quickly locks in place with a quarter-turn
- Massive strainer basket for large debris collection with minimal maintenance
- Integral drain plug for easy winterization of pump
- American design mechanical seal using carbon to ceramic sealing surfaces
- Simple servicing
- Stainless steel shaft
- Fully factory tested
- Self-priming



Performance Curves



MODEL TECHNICAL DATA

Model Number	H.P.	Voltage	Pipe Size	Dim. "L"	Ctn. Qty.	Net. Weight
Single-Speed						
72527	0.5	220~240	1 1/2"	272	1	18.6 lbs.
72528	0.75	220~240	1 1/2"	272	1	21.3 lbs.
72529	1.0	220~240	1 1/2"	307	1	25.3 lbs.
72530	1.5	220~240	1 1/2"	307	1	28.9 lbs.
Model Number	Description				Ctn. Qty.	Net. Weight
Optional Accessories						
91384	1 1/2" Union Connection Kit-curved				1	0.33 lb.

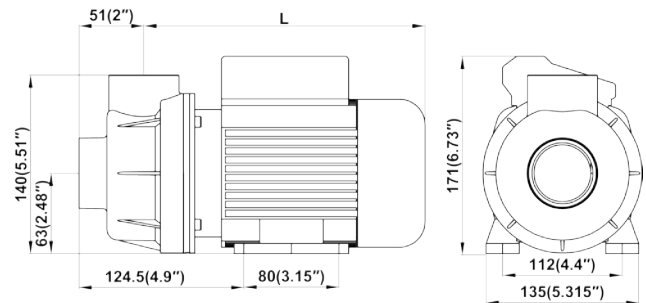
Swimming Pool Pump

This series pump is used advanced technology with high efficiency and minimized noise. The pumps operation documented in rigorous CE/GS/SAA/VDE tests. It is especially designed for applications in small filtration plants, splash pools.

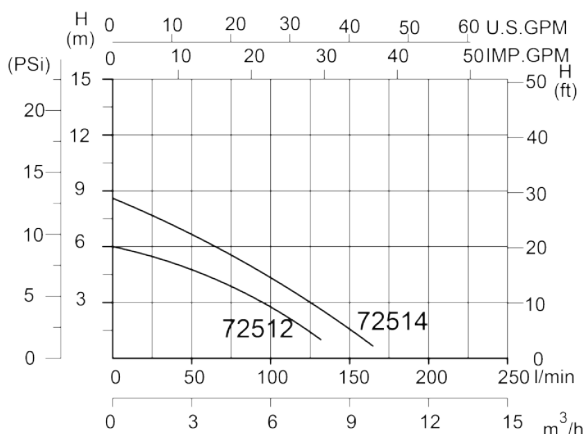


Features

- Plastic components are 100% recyclable
- High performance motor with integrated automatic thermal overload protector
- High performance impeller
- American design mechanical seal using carbon to ceramic sealing surfaces
- Stainless steel shaft
- Simple servicing
- Fully factory tested



Performance Curves



MODEL TECHNICAL DATA

Model Number	H.P.	Voltage	Pipe Size	Dim. "L"	Ctn. Qty.	Net. Weight
Single-Speed						
72512	0.25	220~240	1 1/2"	230(9")	1	8.4 lbs.
72514	0.35	220~240	1 1/2"	230(9")	1	10.4 lbs.
Model Number	Description				Ctn. Qty.	Net. Weight
Optional Accessories						
47303014	adaptor 1 1/2" male threaded x 1 1/2"x 1 1/4" smooth				1	0.06 lb.

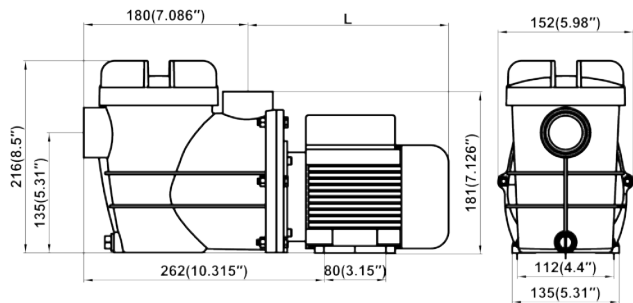
Swimming Pool Pump

Compact, energy-saving, budget-priced. It is a high-performance pump series designed for applications in small filtration plants, splash pool. Combining durable, corrosion-proof construction with advanced features and options, this series pump sets the standard for value and performance. It is the pool professional's choice for superior performance and unparalleled quality.

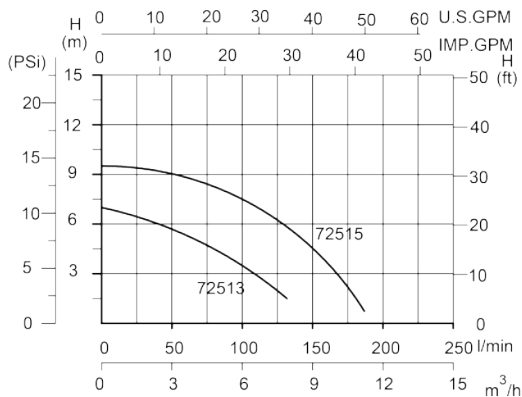


Features

- Exclusive corrosion-proof housing for all-weather performance and quiet operation
- High performance motor with integrated automatic thermal overload protector
- High performance impeller
- Clear cover lets you see when basket needs cleaning
- American design mechanical seal using carbon to ceramic sealing surfaces
- Integral drain plug for easy winterization of pump
- Stainless steel shaft
- Simple servicing
- Fully factory tested



Performance Curves



MODEL TECHNICAL DATA

Model Number	H.P.	Voltage	Pipe Size	Dim. "L"	Ctn. Qty.	Net. Weight
Single-Speed						
72513	0.25	220~240	1 1/2"	240(9.5")	1	10.9 lbs.
72515	0.35	220~240	1 1/2"	240(9.5")	1	12.4 lbs.
Model Number	Description				Ctn. Qty.	Net. Weight
Optional Accessories						
47303014	adaptor 1 1/2"male threaded x 1 1/2"x 1 1/4" smooth				1	0.06 lb.

Hydraulics is the study and understanding of the behavior of liquids at rest and in motion. We are concerned with water, and the following characteristics of our application:

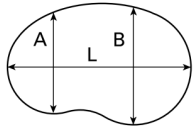
1. How much water do we have (Pool Capacity)?
2. How fast can we safely move the water (Turnover Rate and Water Velocity)?
3. How much resistance will this water meet while moving through the system (Friction Loss)?
4. How will we overcome this resistance (Pump/Filter Sizing)?

Following are step-by-step instructions to answer these four questions and ultimately determine the proper size pump or filter for virtually any installation. Below each step is a calculation based on the following example: 16 ft by 32 ft rectangular pool, 3 ft to 8 ft deep, 2" suction side and return side plumbing. Existing 1 HP pump; filter gauge reads 10 PSI (clean).

1. Pool Capacity

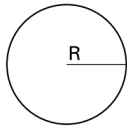
To determine total gallons, we must first calculate the surface area of the pool in square feet:

1A. Surface Area

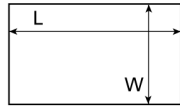


$$\text{Area} = (A+B) \times L \times .45$$

_____ ft²
(surface area)



$$\text{Area} = R \times R \times 3.14$$



$$\text{Area} = L \times W$$

Surface Area: 16 ft x 32 ft = 512 ft²

Next, multiply the surface area by the average depth to determine the appropriate volume of the pool.

1B. Average Depth

$$\left(\frac{\text{depth, shallow end} + \text{depth, deep end}}{2} \right) = \text{average depth}$$

Average Depth = (3 ft + 8 ft) ÷ 2 = 5.5 ft

1C. Volume

$$\text{surface area} \times \text{average depth} = \text{volume}$$

Volume = 512 ft² x 5.5 ft = 2,816 ft³

Next, multiply the pool's volume in ft³ by 7.5 to get the pool capacity in gallons:

1D. Pool Capacity

$$\text{volume} \times 7.5 \text{ gallons/ft}^3 = \text{pool capacity}$$

Pool Capacity = 2,816 ft³ x 7.5 gallons/ft³ = 21,120 gallons

Some of the more common pool sizes are:

Above-Ground Size	Gallons*
15 ft Round	5,293
18 ft Round	7,622
21 ft Round	10,374
24 ft Round	13,550
12 ft x 24 ft Rectangle	8,626
27 ft Round	17,149

*Average Depth: 4 ft

In-Ground Size	Gallons*
12 ft x 24 ft Rectangle	11,861
16 ft x 32 ft Rectangle	21,086
18 ft x 36 ft Rectangle	26,687
20 ft x 40 ft Rectangle	32,947

*Average Depth: 5.5ft

2. Flow Rate

While the actual flow rate of a pump is based on the total resistance of the system as described below, the desired flow rate must be calculated to verify it will satisfy Turnover Rate and Water Velocity requirements.

2A. Turnover Rate

The turnover rate for a swimming pool is the amount of time required to circulate the entire volume of water through the system once to meet reasonably clean, safe water standards. Check with local regulations for the minimum required turnover rate.

Based on the pool's capacity and the desired turnover rate, the minimum rate at which the water must be circulated in Gallons Per Minute (GPM) is calculated as follows:

A. Minimum Flow in Gallons per Hour (GPH)

$$\frac{\text{pool capacity}}{\text{desired turnover rate}} = \text{minimum flow, gallons per hour}$$

(pool capacity) (desired turnover rate) (minimum flow, gallons per hour)

Minimum Flow: 21,120 gallons ÷ 10 hours (assumed) =

2,112 gallons per hour

B. Minimum Flow in Gallons per Minute (GPM)

$$\frac{\text{minimum flow, gallons per hour}}{60 \text{ minutes per hour}} = \text{minimum flow, gallons per minute}$$

(minimum flow, gallons per hour) (minimum flow, gallons per minute)

Minimum Flow: 2,112 gallons per hour ÷ 60 minutes per hour =

35 gallons per minute

2B. Water Velocity

The maximum recommended water velocity is six (6) or eight (8) feet per second for suction lines and ten (10) feet per second for return lines. Check with local regulations for the maximum water velocity for suction and return lines. The table below lists the maximum flow in GPM based on plumbing size and water velocity.

Pipe Size	Maximum Flow		
	6.0 ft/sec	8.0 ft/sec	10.0 ft/sec
1 1/2"	38 GPM	51 GPM	63 GPM
2"	63 GPM	84 GPM	105 GPM
2 1/2"	90 GPM	119 GPM	149 GPM
3"	138 GPM	184 GPM	230 GPM

Maximum Flow: 2" suction side plumbing at 6.0 ft/sec = 63 gallons per minute

2C. Desired Flow

The desired flow rate must be between the minimum flow based on the Turnover Rate and the maximum flow based on the Water Velocity. Note that if higher flow rates are needed, such as for water features, the maximum possible flow would have to be increased by using larger size plumbing (e.g. increase from 2" to 2 1/2" plumbing).

It is recommended to select a flow that is higher than the minimum to account for decrease in flow that naturally occurs as the filter is loaded with dirt and debris.

Minimum Flow (Turnover Rate): 35 GPM

Maximum Flow (Water Velocity): 63 GPM

Desired Flow: 50 GPM

3. Friction Loss

Everything that the water must pass through within the circulation system — plumbing and equipment — creates resistance or Friction Loss. The friction loss for standard plumbing supplies such as pipe, elbows, fittings, etc. can be found using published reference tables. Friction loss for equipment such as filters, heaters, and chlorination systems can be found in charts and/or curves provided by the manufacturer. The sum of all the resistance is called Total Dynamic Head (TDH) and is typically measured in Feet of Water or Feet of Head.

A properly sized pump will have the ability to overcome the Total Dynamic Head of the system while, at the same time, providing flow that will satisfy Turnover Rate and Water Velocity requirements.

For new installations, it is possible to calculate TDH very accurately by using reference tables and manufacturer's data to determine the friction loss associated with every component in the circulation system.

For existing installations, we are often unable to determine the total amount of pipe and fittings . . . it's underground. Therefore, what follows is a simplified "rule-of-thumb" means of determining Total Dynamic Head.

We will need to add the resistance from the vacuum (suction) side of the existing pump to the resistance of the pressure side of the pump. Note this assumes the Static Suction Lift (i.e. vertical distance from the center of the pump's impeller to the surface of the water) is offset by the water returning to the pool.

3A. Friction Loss (Vacuum)

_____ inches of mercury x 1.13 ft of water = _____ ft of water

(vacuum reading) (total resistance, vacuum)

Typically, however, a vacuum reading will not be available, therefore, the table below provides Common Head Loss Factors for today's high-efficiency pumps.

Pump Size	Head Loss Factor *
3/4 H.P.	4.5 to 5.5 ft of water
1 H.P.	7 to 9 ft of water
1 1/2 H.P.	10 to 12.5 ft of water
2 H.P.	13.5 to 16 ft of water

*Assumes 2" suction line, not to exceed 40 ft long, minimal fittings, one (1) 2" valve and full-rated pumps.

Total Resistance (Vacuum): 9 ft of water (existing 1 H.P. pump)

3B. Friction Loss (Pressure)

_____ PSI x 2.31 ft of water / PSI = _____ ft of water

(filter pressure, clean) (total resistance, pressure)

Total Resistance (Pressure): 10 PSI x 2.31 ft of water / PSI = 23 ft of water

3C. Total Dynamic Head

_____ ft of water + _____ ft of water = _____ ft of water

(total resistance, vacuum) (total resistance, pressure) (total dynamic head)

Total Dynamic Head: 9 ft of water + 23 ft of water = 32 ft of water

4A. Performance Data - Sand Filter

Model Number	Filter Diameter	Effective Filtration Area (ft ²)	Design Flow Rate (GPM)	Turnover (In Gallons)		
				8Hours	10Hours	12Hours
73030	12	0.78	25	12000	15000	18000
73035	14	1.06	25-35	14400	18000	21600
73040	16	1.35	35	16800	21000	25200
73045	18	1.8	35	16800	21000	25200
73050	19	2.1	42	20160	25200	30240
73054	22	2.5	52	24960	31200	37440
73055	22	2.5	52	24960	31200	37440
73057	22.5	2.74	54	25920	32400	38880
73060	24	3.04	62	29760	37200	44640
73065	26	3.6	72	34560	43200	51840
73080	31	4.9	98	47040	58800	70560
73090	36	6.5	130	67200	78000	93600

4B. Performance Data - Pump

Model number	Voltage /Hertz	Amps	Pump In power	Q.Max (M ³ /H)	H.Max (m)	Motor Out power	Pump Certificate
72512	22-240V /50Hz	1	250W	7.9	6	0.25HP	CE/ GS/ SAA
72513		1	250W	7.5	6.5	0.25HP	
72514		1.8	400W	10.2	8.5	0.35HP	
72515		1.8	400W	10	9	0.35HP	
72527		2.5	550W	14.4	7.5	0.5HP	
72528		2.6	600W	16	8	0.75HP	
72529		4.5	1000W	16.8	10	1HP	
72530		5	1100W	17.7	11	1.5HP	
72542		3.5	800W	15	12	0.75HP	
72543		4.5	1000W	18	13	1HP	
72544		6.4	1400W	21.6	14.8	1.5HP	
72547		4.5	1000W	18.7	15	1HP	
72548		6.5	1500W	22.8	18	1.5HP	

Model number	Voltage /Hertz	Amps (A)	Motor out power (HP)	Flow Rate (Gpm)	Feet of Head (m)	Pump Certificate
72712	115V /60Hz	2.5	0.25	37	7.5	ETL
72713		2.5	0.25	33	8.2	
72714		3.6	0.35	44	9.5	
72715		3.6	0.35	40	10	
72728		7.3	0.75	62	8.2	
72729		9	1.0	75	10.5	ETL /CSA
72730		12	1.5	83	11.7	
72742		9.2	0.75	73	12.5	
72743		5.7/11.5	1.0	79	14	
72744		7/14	1.5	88	20	
72747	5.7/11.5	1.0	83	14		
72748	7/14	1.5	97	20		
72731	115V /60Hz	7.3	0.75	62	8.2	CSA
73732		9	1.0	75	10.5	
72733		12	1.5	83	11.7	
72745		9.2	0.75	73	12.5	
72746		11.5	1.0	79	14	
72752		10/3.2	0.75	73	12.5	
72753		12/3.6	1.0	79	14	
72735		10/3.2	1.0	75	10.5	
72736		12/3.6	1.5	83	11.7	
72726		10/3.2	1.0	75	10.5	
72727		12/3.6	1.5	83	11.7	
72749		10/3.2	0.75	73	12.5	
72750		12/3.6	1.0	79	14	ETL /CSA
72754		12/3.6	1.0	83	14	
72751		230V /60Hz	7.5/2.1	1.5	88	
72755	7.5/2.1	1.5	97	20		

Summary

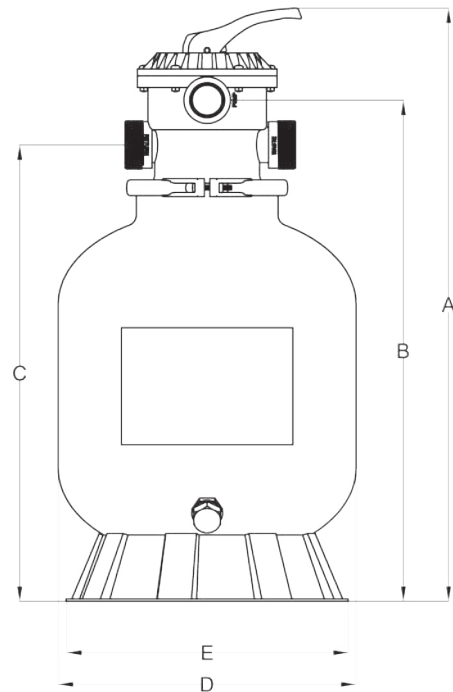
Using the information calculated above, you can properly size the pump, filter, and corresponding equipment, assuring you meet Turnover Rate and Water Velocity requirements while eliminating the electrical waste and potential damage to other system components associated with a needlessly oversized pump.

These series top-mount sand filters use the latest pool filter technology. Molded of durable, corrosion-proof polymeric material, they feature attractive, unitized tank construction for high rate operation with minimal care. It has all the features and quality that you as a customer require, which is designed for resort pools, hotel pools, municipal pools and school pools. Our filter is strong, reliable and simple to operate.



Features

- Flange clamp design allows any rotation of valve to plumbing
- Smart top diffuser ensures even distribution of water over the top of the sand media bed, which provides smooth, free flowing performance
- High performance impeller
- Unitized, corrosion-proof filter tank molded of rugged polymeric material for dependable, all-weather performance
- Designed drain for rapid winterizing or servicing
- Precision engineered self cleaning laterals for balanced flow, backwashing and easy serviceability



Performance Data - Filter

Model Number	Effective Filtration Area(ft ²)	Design Flow Rate (GPM)	Turnover(In Gallons)		
			8Hours	10Hours	12Hours
73040	1.35	35	16800	21000	25200
73050	2.1	42	20160	25200	30240
73060	3.14	62	29760	37200	44640
73054	2.64	52	24960	31200	37440
73057	2.74	54	25920	32400	38880

*Based on 20GPM/ft.²(maximum allowable NSF rating)

Model Number	A mm(in)	B mm(in)	C mm(in)	D mm(in)	E mm(in)
73040	810(31.9")	685(27")	625(24.6")	406(16")	400(15.8")
73050	930(36.6")	805(31.7")	745(29.3")	485(19")	480(18.9")
73060	1100(43.7")	985(38.8")	925(36.4")	610(24")	480(18.9")
73054	975(38.4")	985(38.7")	790(31")	550(22")	480(18.9")
73057	977(38.5")	987(38.9")	792(31.2")	570(22.5")	480(18.9")

MODEL TECHNICAL DATA

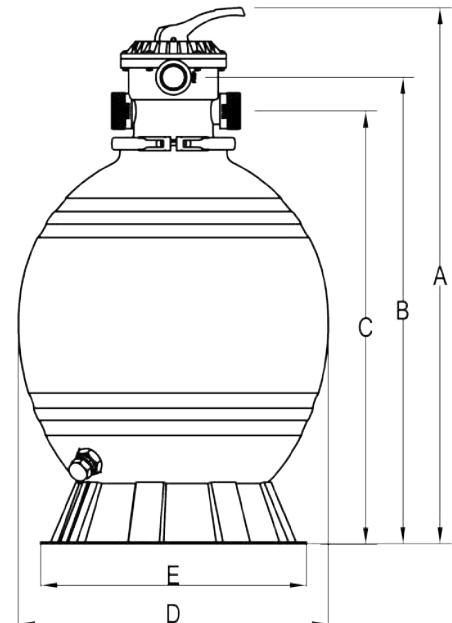
Model Number	Filter Diameter	Max Working Pressure PSI	Sand Required	Ctn. Qty.	Net. Weight
73040	16"	50	100 lbs.	1	16.9 lbs.
73050	19"	50	175 lbs.	1	23 lbs.
73060	24"	50	300 lbs.	1	35.2 lbs.
73054	22"	50	250 lbs.	1	29.3 lbs.
73057	22.5"	50	280 lbs.	1	29.8 lbs.

These series top-mount sand filters use the latest pool filter technology with fashion design. Molded of durable, corrosion-proof polymeric material, they feature attractive, unitized tank construction for high rate operation with minimal care. It has all the features and quality that you as a customer require, which is designed for resort pools, hotel pools, municipal pools and school pools. Our filter is strong, reliable and simple to operate.



Features

- Flange clamp design allows any rotation of valve to plumbing
- Smart top diffuser ensures even distribution of water over the top of the sand media bed, which provides smooth, free flowing performance
- Unitized, corrosion-proof filter tank molded of rugged polymeric material for dependable, all-weather performance
- Designed drain for rapid winterizing or servicing
- Precision engineered self cleaning laterals for balanced flow, backwashing and easy serviceability



Performance Data - Filter					
Model Number	Effective Filtration Area(ft ²)	Design Flow Rate (GPM)	Turnover(In Gallons)		
			8Hours	10Hours	12Hours
73045	1.8	35	16800	21000	25200
73055	2.64	52	24960	31200	37440
73065	3.68	72	34560	43200	51840

*Based on 20GPM/ft.²(maximum allowable NSF rating)

Model Number	A mm(in)	B mm(in)	C mm(in)	D mm(in)	E mm(in)
73045	835(33")	710(28")	650(25.6")	450(18")	400(15.8")
73055	968(38")	843(33")	783(31")	560(22")	480(18.9")
73065	1120(44")	990(39")	920(36")	660(26")	480(18.9")

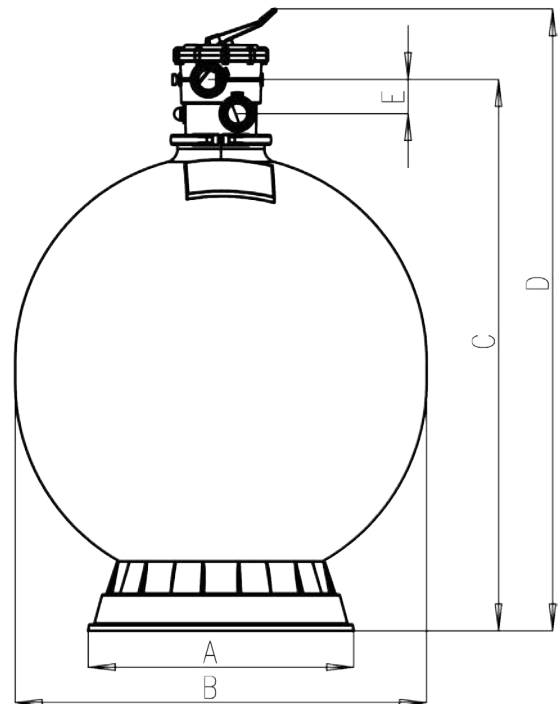
MODEL TECHNICAL DATA					
Model Number	Filter Diameter	Max Working Pressure PSI	Sand Required	Ctn. Qty.	Net. Weight
73045	18"	50	110 lbs.	1	15.4 lbs.
73055	22"	50	220 lbs.	1	23.4 lbs.
73065	26"	50	360 lbs.	1	33 lbs.

It satisfies the requirements of the most demanding installations, including resort pools, hotel pools, municipal pools, school pools and industrial applications. The filter has a seamless, one piece molded polymeric material and is fitted complete with our smooth operating multiport valve for easy selection of standard operating features. Incorporating the many advanced features of nowadays pool filter technology, it is a pool professional best choice.



Features

- Flange clamp design allows any rotation of valve to plumbing
- Smart top diffuser ensures even distribution of water over the top of the sand media bed, which provides smooth, free flowing performance
- Unitized, corrosion-proof filter tank molded of rugged polymeric material for dependable, all-weather performance
- Designed drain for rapid winterizing or servicing
- Precision engineered self cleaning laterals for balanced flow, backwashing and easy serviceability



Performance Data - Filter					
Model Number	Effective Filtration Area(ft ²)	Design Flow Rate (GPM)	Turnover(In Gallons)		
			8Hours	10Hours	12Hours
73080	4.9	98	47040	58800	70560
73090	6.5	130	67200	78000	93600

*Based on 20GPM/ft.²(maximum allowable NSF rating)

Model Number	A mm(in)	B mm(in)	C mm(in)	D mm(in)	E mm(in)
73080	590(31.9")	790(31")	1093(43")	1258(49.5")	76(3")
73090	590(36.6")	915(36")	1220(48")	1385(54.5")	76(3")

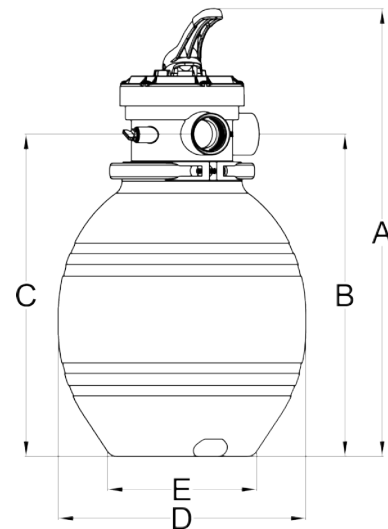
MODEL TECHNICAL DATA					
Model Number	Filter Diameter	Max Working Pressure PSI	Sand Required	Ctn. Qty.	Net. Weight
73080	31"	50	500 Lbs.	1	68lbs.
73090	36"	50	700 Lbs.	1	134lbs.

This series of sand filters is specially designed for above-ground pools and splash pools. It is high performance, totally corrosion-proof filter that blend superior flow characteristics and features with ease of operation. The filters will provide crystal clear water with minimal care.



Features

- Flange clamp design allows any rotation of valve to plumbing
- Integral top diffuser ensures even distribution of water over the top of the sand media bed, which provides smooth, free flowing performance
- Unitized, corrosion-proof filter tank molded of rugged polymeric material for dependable, all-weather performance
- Designed drain for rapid winterizing or servicing
- Precision engineered self cleaning laterals for balanced flow, backwashing and easy serviceability



Performance Data - Filter					
Model Number	Effective Filtration Area(ft ²)	Design Flow Rate (GPM)	Turnover(In Gallons)		
			8Hours	10Hours	12Hours
73030	0.78	25	12000	15000	18000
73035	1.06	25-35	14400	18000	21600

*Based on 20GPM/ft.²(maximum allowable NSF rating)

Model Number	A mm(in)	B mm(in)	C mm(in)	D mm(in)	E mm(in)
73030	596(23.5")	430(17")	430(17")	330(12")	190(7.5")
73035	625(24.6")	458(18")	458(18")	350(14")	280(11")

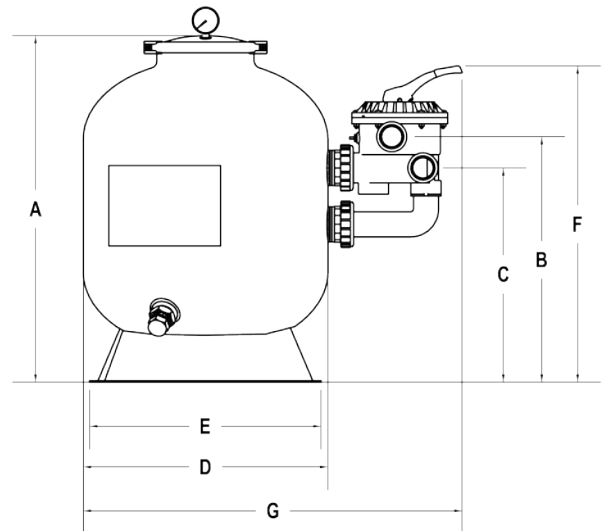
MODEL TECHNICAL DATA					
Model Number	Filter Diameter	Max Working Pressure PSI	Sand Required	Ctn. Qty.	Net. Weight
73030	12"	50	42 lbs.	1	7.6 lbs.
73035	14"	50	60 lbs.	1	8.4 lbs.

The series of side-mount sand filters has the latest pool filter technology. Molded of durable, corrosion-proof polymeric material and complete with our smart operating side-mount multiport valve for smooth, efficient flow and totally balanced backwashing operating features. We set the standard for performance, value and dependability. The series of side-mount sand filters is fully factory tested.



Features

- Transparent inspection cover provides convenient access to top of filter
- Top diffuser ensures even distribution of water over the top of the sand media bed, it giving smooth, free flowing performance
- Unitized, corrosion-proof filter tank molded of rugged polymeric material for dependable, all-weather performance
- Designed drain for rapid winterizing or servicing
- Precision engineered self cleaning laterals for balanced flow, backwashing and easy serviceability



Performance Data - Filter

Model Number	Effective Filtration Area(ft ²)	Design Flow Rate (GPM)	Turnover(In Gallons)		
			8Hours	10Hours	12Hours
73041	1.35	35	16800	21000	25200
73051	2.1	42	20160	25200	30240
73061	3.14	62	29760	37200	44640

*Based on 20GPM/ft.²(maximum allowable NSF rating)

Model Number	A mm(in)	B mm(in)	C mm(in)	D mm(in)	E mm(in)	F mm(in)	G mm(in)
73041	590(23.2")	450(17.7")	390(15.3")	406(16")	400(15.8")	580(22.8")	676(26.6")
73051	700(27.5")	515(20.3")	455(18")	485(19")	480(18.9")	650(25.6")	755(29.7")
73061	890(35")	610(24")	550(21.6")	610(24")	480(18.9")	750(29.5")	880(34.6")

MODEL TECHNICAL DATA

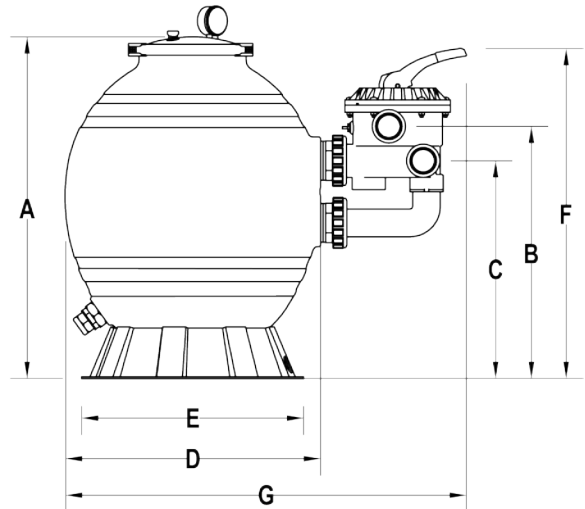
Model Number	Filter Diameter	Max Working Pressure PSI	Sand Required	Ctn. Qty.	Net. Weight
73041	16"	50	100 lbs.	1	19.3 lbs.
73051	19"	50	175 lbs.	1	25.5 lbs.
73061	24"	50	300 lbs.	1	38.5 lbs.

The series of side-mount sand filters has the latest pool filter technology and fashion design. Molded of durable, corrosion-proof polymeric material and complete with our smart operating side-mount multiport valve for smooth, efficient flow and totally balanced backwashing operating features. We set the standard for performance, value and dependability. The series of side-mount sand filters is fully factory tested.



Features

- Transparent inspection cover provides convenient access to top of filter
- Top diffuser ensures even distribution of water over the top of the sand media bed, it giving smooth, free flowing performance
- Unitized, corrosion-proof filter tank molded of rugged polymeric material for dependable, all-weather performance
- Designed drain for rapid winterizing or servicing
- Precision engineered self cleaning laterals for balanced flow, backwashing and easy serviceability



Model Number	A mm(in)	B mm(in)	C mm(in)	D mm(in)	E mm(in)	F mm(in)	G mm(in)
73046	625(24.6")	450(17.7")	390(15.3")	460(18")	400(15.8")	580(22.8")	730(28.7")
73056	750(29.5")	520(20.5")	460(18.1")	560(22")	480(18.9")	650(25.6")	830(32.7")
73066	890(35")	610(24")	550(21.6")	660(26")	480(18.9")	750(29.5")	930(36.6")

*Based on 20GPM/ft.²(maximum allowable NSF rating)

Performance Date - Filter

Model Number	Effective Filtration Area(ft ²)	Design Flow Rate (GPM)	Turnover(In Gallons)		
			8Hours	10Hours	12Hours
73046	1.8	35	16800	21000	25200
73056	2.64	52	24960	31200	37440
73066	3.68	72	34560	43200	51840

MODEL TECHNICAL DATA

Model Number	Filter Diameter	Port Size	Max Working Pressure PSI	Sand Required	Ctn. Qty.	Net. Weight
73046	18"	1 1/2"	50	100 lbs.	1	17.4 lbs.
73056	22"	1 1/2"	50	175 lbs.	1	25.4 lbs.
73066	26"	1 1/2"	50	300 lbs.	1	35.2 lbs.



Filter Valve Functions

BACKWASH – For cleaning filter sand bed of accumulated debris

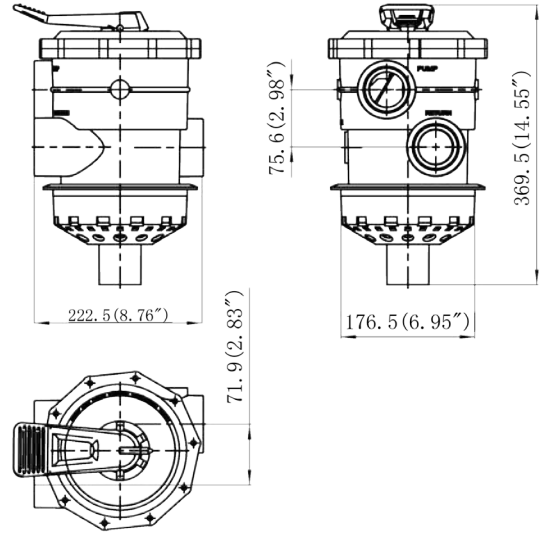
RINSE – Use after completing backwash cycle to ensure all dirty water is rinsed out of the filter to waste

WASTE – By-passes the filter for draining or lowering pool water level and for vacuuming heavy debris directly to waste line

RECIRCULATE – Water is recirculate through the valve, bypassing the filter.

CLOSED – Shuts off the flow from the pump to the filter

FILTER – For normal filtering and regular vacuuming



Model Number	Valve Positions	Pipe Size	Mounting Location	Material	Ctn. Qty.	Net. Weight	Carton Dimension (cm)
647309071	6	2\"FIP	Top	ABS	1	6.6 lbs.	41*24*24



Filter Valve Functions

BACKWASH – For cleaning filter sand bed of accumulated debris

RINSE – Use after completing backwash cycle to ensure all dirty water is rinsed out of the filter to waste

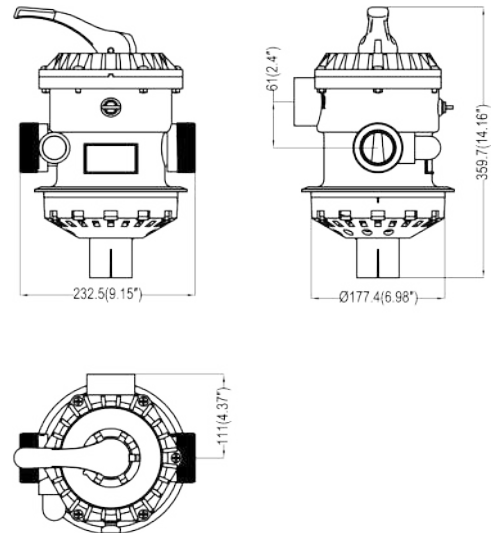
WASTE – By-passes the filter for draining or lowering pool water level and for vacuuming heavy debris directly to waste line

RECIRCULATE – Water is recirculate through the valve, bypassing the filter.

CLOSED – Shuts off the flow from the pump to the filter

FILTER – For normal filtering and regular vacuuming

WINTER – For winterizing

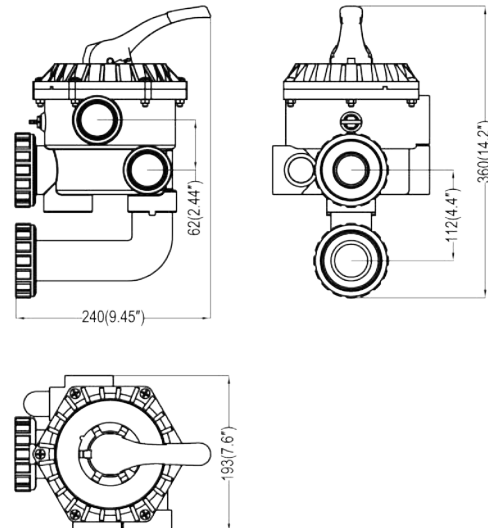


Model Number	Valve Positions	Pipe Size	Mounting Location	Material	Ctn. Qty.	Net. Weight	Carton Dimension (cm)
647304071	7	1 1/2\"FIP	Top	ABS	1	4.5 lbs.	38*20.5*22



Filter Valve Functions

- BACKWASH** – For cleaning filter sand bed of accumulated debris
- RINSE** – Use after completing backwash cycle to ensure all dirty water is rinsed out of the filter to waste
- WASTE** – By-passes the filter for draining or lowering pool water level and for vacuuming heavy debris directly to waste line
- RECIRCULATE** – Water is recirculate through the valve, bypassing the filter.
- CLOSED** – Shuts off the flow from the pump to the filter
- FILTER** – For normal filtering and regular vacuuming
- WINTER** – For winterizing

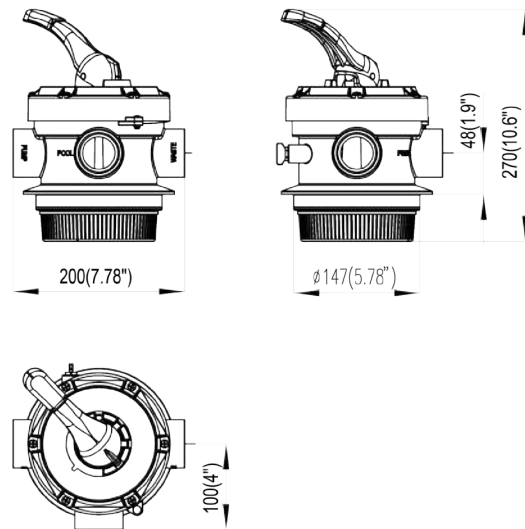


Model Number	Valve Positions	Pipe Size	Mounting Location	Material	Ctn. Qty.	Net. Weight	Carton Dimension (cm)
647304171	7	1 1/2" FIP	Side	ABS	1	4.8 lbs.	36*21*21



Filter Valve Functions

- BACKWASH** – For cleaning filter sand bed of accumulated debris
- RINSE** – Use after completing backwash cycle to ensure all dirty water is rinsed out of the filter to waste
- FILTER** – For normal filtering and regular vacuuming
- WINTER** – For winterizing

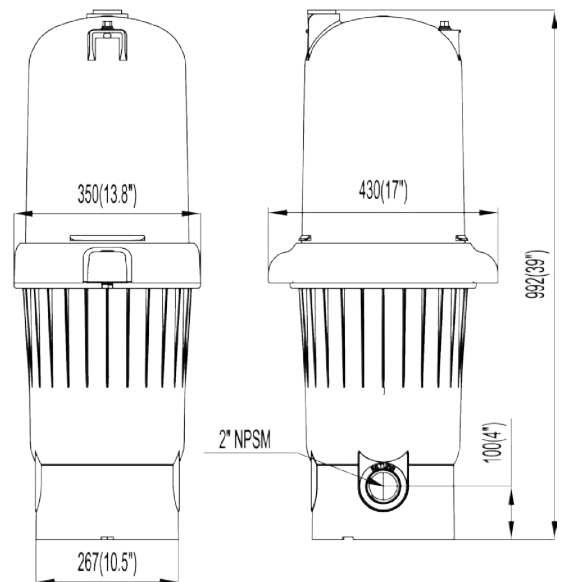


Model Number	Valve Positions	Pipe Size	Mounting Location	Material	Ctn. Qty.	Net. Weight	Carton Dimension (cm)
647303071	4	1 1/2" FIP	Top	ABS	1	3.5 lbs.	21*21*26

This series filters offer added quality, value and convenience in cartridge filtration. It has corrosion resistant injection molded filter tank featuring superior strength and reliability. It has a larger filtration element and greater effective filtration area while compared with similar sized and priced cartridge filters. So it is an ideal choice for the most demanding applications and environmental condition.

Features

- Filter tank made from extra durable glass reinforced co-polymer material to meet the demands of the toughest applications and environmental conditions, including in-floor cleaning systems
- Superior strength
- Large filter area for increased dirt capacity
- Coreless cartridge for easy cleaning
- Extra-large cartridge element with new precision engineered extruded core provides extra-strength and maximum flow
- Elevated, filtered water collector and debris sump prevents accidental by-pass of heavy debris to pool when cartridge is removed for cleaning
- Unionized connections
- Fully factory tested



MODEL TECHNICAL DATA

Model Number	Port Size	Max Working Pressure PSI	Max Operating Temperature	Ctn. Qty.	Net. Weight
73103000	2"	50	130°F	1	24.7 lbs.
73103001	2"	50	130°F	1	23.1 lbs.
73103002	2"	50	130°F	1	23.8 lbs.
Model Number	Description			Ctn. Qty.	Net. Weight
Optional Accessories					
647310371000	2"Union Connection Kit-curved (60mm)			1	1lb.
647310371001	2"Union Connection Kit-curved (63mm)			1	1lb.

Performance Date - Filter

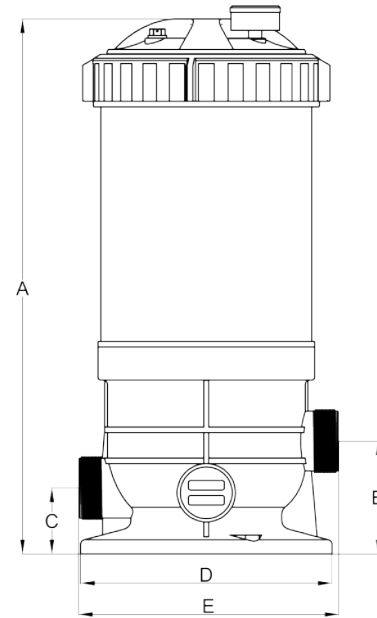
Model Number	Effective Filtration Area(ft ²)	Design Flow Rate (GPM)	Turnover(In Gallons)		
			8Hours	10Hours	12Hours
73103000	200	200	96000	120000	144000
73103001	120	120	57600	72000	86400
73103002	150	150	72000	90000	108000

Our cartridge filters provide crystal clear water and have extra cleaning capacity to accommodate pools and spas of all types and sizes. The filter features a chemical resistant tank with no-tool servicing and a coreless cartridge for easier cleaning. Besides it has all the special features and quality that you would require. This allows you the satisfaction and enjoyment you deserve from your water feature.



Features

- Attractive, durable filter head may be rotated to conveniently position pressure gauge and manual air relief
- Chemical resistant tank body
- Coreless cartridge for easy cleaning
- Extra-large cartridge element with new precision engineered extruded core provides extra-strength and maximum flow
- Elevated, filtered water collector and debris sump prevents accidental by-pass of heavy debris to pool when cartridge is removed for cleaning
- Unionized connections
- Fully factory tested



Performance Date - Filter

Model Number	Effective Filtration Area(ft ²)	Design Flow Rate (GPM)	Turnover(In Gallons)		
			8Hours	10Hours	12Hours
73110	25	25	12000	15000	18000
73111	35	35	16800	21000	25200
73112	50	50	24000	30000	36000
73113	70	70	33600	42000	50400
73114	100	100	48000	60000	72000
73115	120	120	57600	72000	86400

Model Number	A mm(in)	B mm(in)	C mm(in)	D mm(in)	E mm(in)
73110	460(18.1)	120(4.7)	70(2.75)	266(10.5)	276(10.9)
73111	570(22.4)	120(4.7)	70(2.75)	266(10.5)	276(10.9)
73112	708(27.9)	120(4.7)	70(2.75)	266(10.5)	276(10.9)
73113	809(31.8)	120(4.7)	70(2.75)	266(10.5)	276(10.9)
73114	999(39.3)	120(4.7)	70(2.75)	266(10.5)	276(10.9)
73115	1099(43.2)	120(4.7)	70(2.75)	266(10.5)	276(10.9)

MODEL TECHNICAL DATA

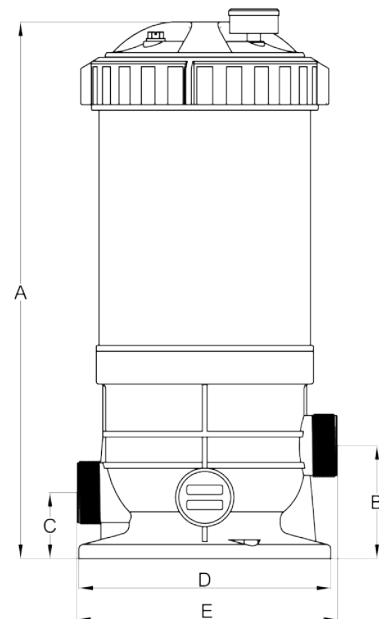
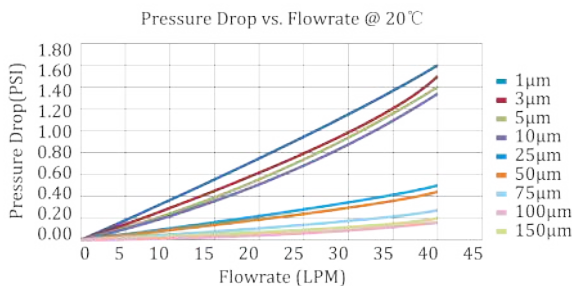
Model Number	Port Size	Max Working Pressure PSI	Max Operating Temperature	Ctn. Qty.	Net. Weight
73110	1 1/2"	50	130°F	1	9.7 lbs.
73111	1 1/2"	50	130°F	1	11.3 lbs.
73112	1 1/2"	50	130°F	1	13.2 lbs.
73113	1 1/2"	50	130°F	1	15.9 lbs.
73114	1 1/2"	50	130°F	1	18.3 lbs.
73115	1 1/2"	50	130°F	1	20 lbs.
Model Number	Description			Ctn. Qty.	Net. Weight
Optional Accessories					
91382	1 1/2"Union Connection Kit-curved (48mm)			1	1lb.
91384	1 1/2"Union Connection Kit-curved (50mm)			1	1lb.

It satisfies the requirements of the most demanding installations, including resort pools, hotel pools, municipal pools, school pools and industrial applications. The filter has a seamless, one piece molded polymeric material and is fitted complete with our smooth operating multiport valve for easy selection of standard operating features. Incorporating the many advanced features of nowadays pool filter technology, it is a pool professional best choice.



Features

- Flange clamp design allows any rotation of valve to plumbing
- Smart top diffuser ensures even distribution of water over the top of the sand media bed, which provides smooth, free flowing performance
- Unitized, corrosion-proof filter tank molded of rugged polymeric material for dependable, all-weather performance
- Designed drain for rapid winterizing or servicing
- Precision engineered self cleaning laterals for balanced flow, backwashing and easy serviceability



Performance Data - Filter

Model Number	Effective Filtration Area(ft ²)	Design Flow Rate (GPM)	Turnover(In Gallons)		
			8Hours	10Hours	12Hours
73116	5.58	100	48000	60000	72000

MODEL TECHNICAL DATA

Model Number	Port Size	Max Working Pressure PSI	Max Operating Temperature	Ctn. Qty.	Net. Weight
73116	1 1/2"	30	130°F	1	15.3 lbs.
Model Number	Description			Ctn. Qty.	Net. Weight
Optional Accessories					
91382	1 1/2"Union Connection Kit-curved (48mm)			1	1lb.
91384	1 1/2"Union Connection Kit-curved (50mm)			1	1lb.
645022042001	20" PP Melt Blown Filter Cartridge			1	1lb.

Model Number	A mm(in)	B mm(in)	C mm(in)	D mm(in)	E mm(in)
73116	830(32.6")	120(4.7")	70(2.75")	266(10.5")	276(10.9")

Our reinforced cartridge filters have a newly developed design, it provides more efficiency and lower cost than normal cartridge filters. Inside, the PP cartridge elements have increased cartridge surface consistency to block and trap particles as small as 5 microns. It will provide incredible crystal clear and sparkling water.

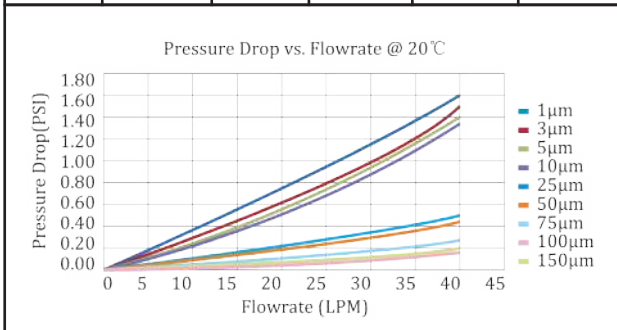


Features

- Chemical resistant tank body
- Inexpensive PP cartridge element
- Unionized connections

Performance Data - Filter

Model Number	Effective Filtration Area(ft ²)	Design Flow Rate (GPM)	Turnover(In Gallons)		
			8Hours	10Hours	12Hours
73118	1.1	30	14400	18000	21600



MODEL TECHNICAL DATA

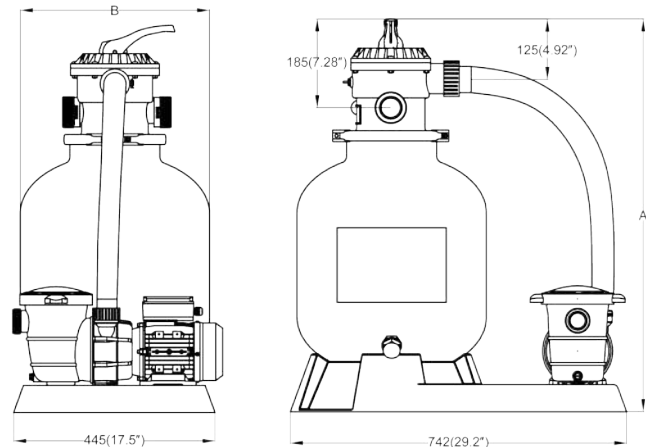
Model Number	Port Size	Max Working Pressure PSI	Max Operating Temperature	Ctn. Qty.	Net. Weight
73118	1 1/2"	30	130°F	1	4 lbs.
Model Number	Description			Ctn. Qty.	Net. Weight
Optional Accessories					
an optional filtration accessories for 12"/14" inch sand filter systems					

Our systems are designed and equipped to offer the ideal combination of energy efficiency and outstanding water clarity. It consists of range of sand filter sizes and range of pumps. The pumps remain unsurpassed in its quality of material, workmanship and functional durability, the sand filters are strong, reliable and simple to operate. The size of your swimming pool determines the required combination.



System features

- Systems are designed for quick assembly and precise alignment of components
- Pumps and filters are performance-matched to provide maximum flow and energy efficiency
- Filter bases are molded of rugged plastic for long-lasting, all-weather performance 7-position valve provides maximum flow at low pressure drop



Model Number	A mm(in)	B mm(in)
72027/72228/72041/72241	848(33.4)	400(16)
72028/72229/72042/72242	930(37.4)	500(19)
72029/72230/72043/72243	1130(45.5)	600(24)

Model Number	Voltage /Hertz	Description	Flow m ³ /H(GPM)	Ctn. Qty.	Net. Weight
72027	230/50	16"(73040)Filter with 0.5hp(72527),1 carton	14(60)	1	41 Lbs.
72028	230/50	19"(73050)Filter with 0.75hp(72528),1 carton	15(66)	1	50 Lbs.
72029	230/50	24"(73060)Filter with 1.0hp(72529),1 carton	16(70)	1	66 Lbs.
72228	115/60	16"(73040)Filter with 0.75hp SPL(72728),1 carton	14(60)	1	42 Lbs.
72229	115/60	19"(73050)Filter with 1.0hp SPL(72729),1 carton	16(70)	1	50 Lbs.
72230	115/60	24"(73060)Filter with 1.5hp SPL(72730),1 carton	19(83)	1	64 Lbs.

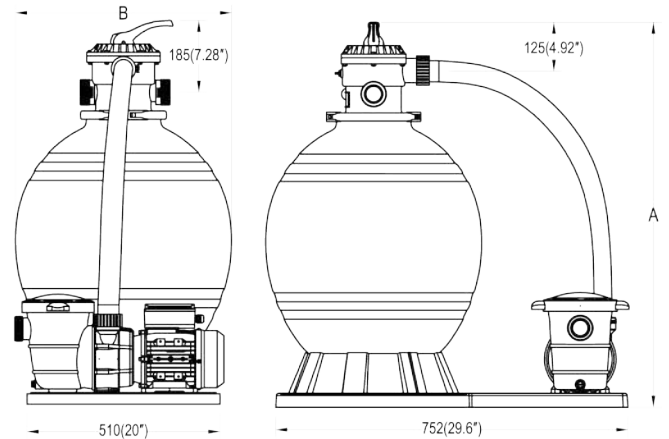
Model Number	Voltage /Hertz	Description	Flow m ³ /H(GPM)	Ctn. Qty.	Net. Weight
72041	230/50	16"(73040)Filter with 0.35hp(72515),1 carton	9(40)	1	31.5 Lbs.
72042	230/50	19"(73050)Filter with 0.75hp(72542),1 carton	15(66)	1	50 Lbs.
72043	230/50	24"(73060)Filter with 1.0hp(72543),1 carton	18(79)	1	66.7 Lbs.
72241	115/60	16"(73040)Filter with 0.35hp(72715),1 carton	9(30)	1	34 Lbs.
72242	115/60	19"(73050)Filter with 0.75hp(72742),1 carton	16(70)	1	49 Lbs.
72243	115/60	24"(73060)Filter with 1.0hp(72743),1 carton	18(79)	1	63 Lbs.

Our systems are designed and equipped to offer the ideal combination of energy efficiency and outstanding water clarity. It consists of range of sand filter sizes and range of pumps. The pumps remain unsurpassed in its quality of material, workmanship and functional durability, the sand filters are strong, reliable and simple to operate. The size of your swimming pool determines the required combination.



System features

- Systems are designed for quick assembly and precise alignment of components
- Pumps and filters are performance-matched to provide maximum flow and energy efficiency
- Filter bases are molded of rugged plastic for long-lasting, all-weather performance 7-position valve provides maximum flow at low pressure drop



Model Number	A mm(in)	B mm(in)
72055/72058/72255 72258/72062/72262	865(34)	460(18)
72059/72259/72063/72263	998(39.3)	560(22)
72060/72260/72064/72264	1150(45.3)	650(26)

Model Number	Voltage /Hertz	Description	Pump Flow m ³ /H(GPM)	Ctn. Qty.	Net. Weight
72055	230/50	18"(73045)Filter with 0.35hp(72515),1 carton	9(40)	1	32.7 Lbs.
72058	230/50	18"(73045)Filter with 0.75hp(72528),1 carton	15(66)	1	51 Lbs.
72059	230/50	22"(73055)Filter with 1.0hp(72529),1 carton	16(70)	1	54.9 Lbs.
72060	230/50	26"(73065)Filter with 1.5hp(72530),1 carton	17(75)	1	68.3 Lbs.
72255	115/60	18"(73045)Filter with 0.35hp(72715),1 carton	9(40)	1	33 Lbs.
72258	115/60	18"(73045)Filter with 0.75hp SPL(72728),1 carton	14(60)	1	41.5 Lbs.
72259	115/60	22"(73055)Filter with 1.5hp SPL(72729),1 carton	16(70)	1	51.5 Lbs.
72260	115/60	26"(73065)Filter with 1.5hp SPL(72730),1 carton	19(83)	1	62.8 Lbs.

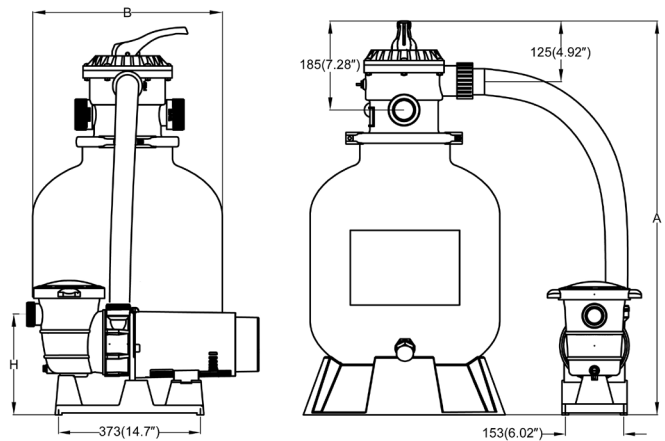
Model Number	Voltage /Hertz	Description	Pump Flow m ³ /H(GPM)	Ctn. Qty.	Net. Weight
72062	230/50	18"(73045)Filter with 0.75hp(72542),1 carton	15(66)	1	42.8 Lbs.
72063	230/50	22"(73055)Filter with 1.0hp(72543),1 carton	18(79)	1	55.5 Lbs.
72064	230/50	26"(73065)Filter with 1.5hp(72544),1 carton	21(92)	1	69 Lbs.
72262	115/60	18"(73045)Filter with 0.75hp(72742),1 carton	16(70)	1	42.6 Lbs.
72263	115/60	22"(73055)Filter with 1.0hp(72743),1 carton	18(79)	1	52 Lbs.
72264	115-230/60	26"(73065)Filter with 1.5hp(72744),1 carton	2088)	1	66.7 Lbs.

Our systems are designed and equipped to offer the ideal combination of energy efficiency and outstanding water clarity. It consists of range of sand filter sizes and range of pumps. The pumps remain unsurpassed in its quality of material, workmanship and functional durability, the sand filters are strong, reliable and simple to operate. The size of your swimming pool determines the required combination.



System features

- Systems are designed for quick assembly and precise alignment of components
- Pumps and filters are performance-matched to provide maximum flow and energy efficiency
- Filter bases are molded of rugged plastic for long-lasting, all-weather performance 7-position valve provides maximum flow at low pressure drop



Model Number	A mm(in)	B mm(in)	H mm(in)
72231	810(31.9)	400(16)	355(14)
72232/72245	930(36.6)	500(19)	355(14)/382(15)
72233/72246	1110(43.7)	600(24)	355(14)/382(15)

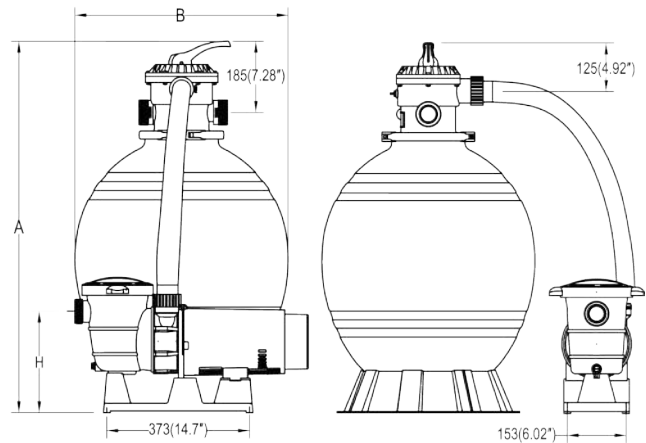
Model Number	Voltage /Hertz	Description	Pump Flow m ³ /H(GPM)	Ctn. Qty.	Net. Weight
72231	115/60	16"(73040)Filter with 0.75hp SPL(72731),1 carton	14(60)	1	41.7 Lbs.
72232	115/60	19"(73050)Filter with 1.0hp SPL(72732),1 carton	16(70)	1	49.8 Lbs.
72233	115/60	24"(73060)Filter with 1.5hp SPL(72733),1 carton	19(83)	1	63.9 Lbs.
72245	115/60	19"(73050)Filter with 0.75hp(72745),1 carton	16(70)	1	51 Lbs.
72246	115/60	24"(73060)Filter with 1.0hp(72746),1 carton	18(80)	1	65.3 Lbs.

Our systems are designed and equipped to offer the ideal combination of energy efficiency and outstanding water clarity. It consists of range of sand filter sizes and range of pumps. The pumps remain unsurpassed in its quality of material, workmanship and functional durability, the sand filters are strong, reliable and simple to operate. The size of your swimming pool determines the required combination.



System features

- Systems are designed for quick assembly and precise alignment of components
- Pumps and filters are performance-matched to provide maximum flow and energy efficiency
- Filter bases are molded of rugged plastic for long-lasting, all-weather performance 7-position valve provides maximum flow at low pressure drop



Model Number	A mm(in)	B mm(in)	H mm(in)
72251	865(34)	460(18)	355(14)
72252/72265	998(393)	560(22)	355(14)/382(15)
72253/72266	1150(45.3)	660(26)	355(14)/382(15)

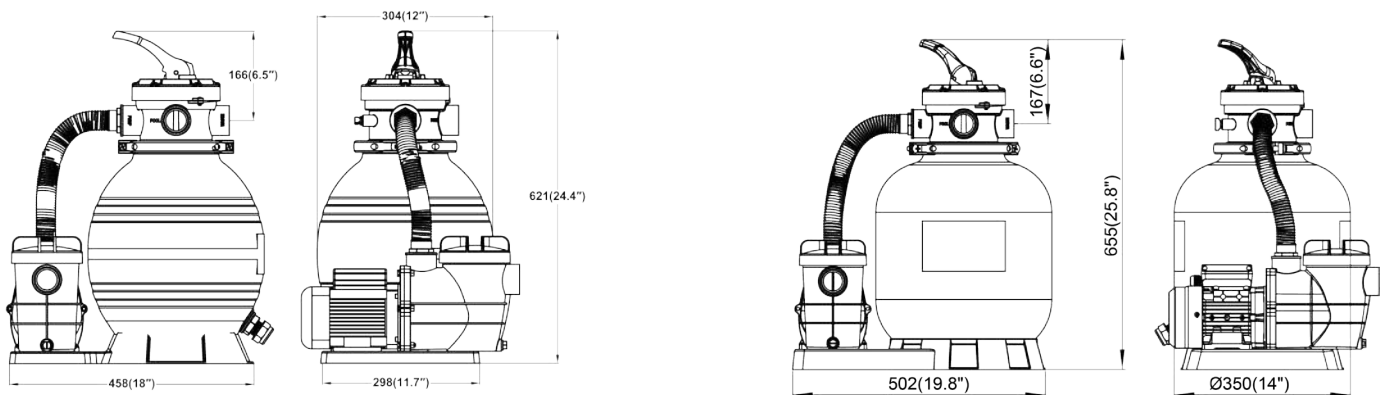
Model Number	Voltage /Hertz	Description	Pump Flow m ³ /H(GPM)	Ctn. Qty.	Net. Weight
72251	115/60	18"(73045)Filter with 0.75hp SPL(72731),1 carton	14(60)	1	40.3 Lbs.
72252	115/60	22"(73055)Filter with 1.0hp SPL(72732),1 carton	16(70)	1	50.3 Lbs.
72253	115/60	26"(73065)Filter with 1.5hp SPL(72733),1 carton	19(83)	1	61.7 Lbs.
72265	115/60	22"(73055)Filter with 0.75hp(72745),1 carton	16(70)	1	51.5 Lbs.
72266	115/60	26"(73065)Filter with 1.0hp(72746),1 carton	18(80)	1	65.1 Lbs.

Our systems are designed and equipped to offer the ideal combination of energy efficiency and outstanding water clarity. It consists of range of sand filter sizes and range of pumps. The pumps remain unsurpassed in its quality of material, workmanship and functional durability, the sand filters are strong, reliable and simple to operate. The size of your swimming pool determines the required combination.



System features

- Systems are designed for quick assembly and precise alignment of components
- Pumps and filters are performance-matched to provide maximum flow and energy efficiency
- Optional microprocessor pump timer available
- Filter bases are molded of rugged plastic for long-lasting, all-weather performance 4-position valve provides maximum flow at low pressure drop



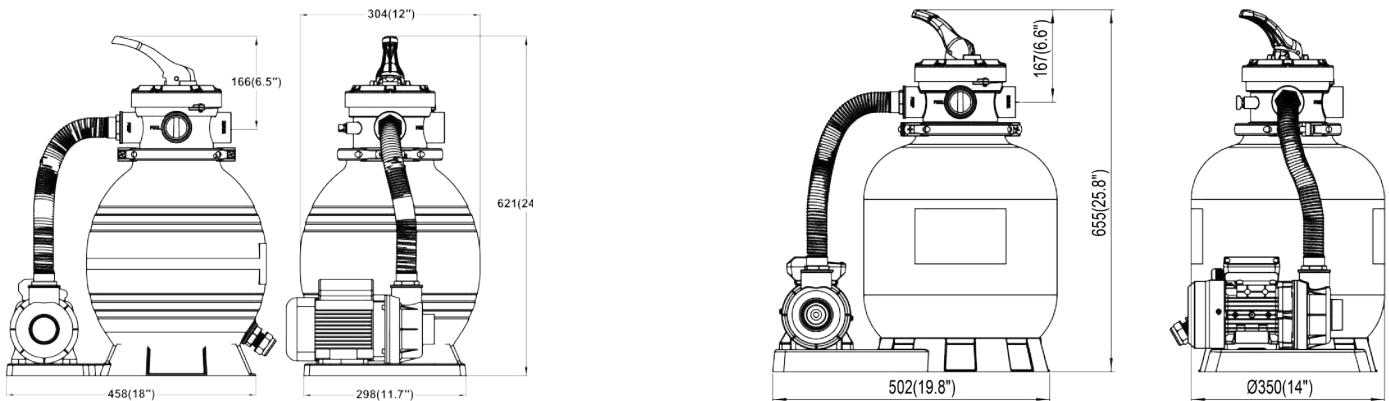
Model Number	Voltage /Hertz	Description	Pump Flow m ³ /H(GPM)	Ctn. Qty.	Net. Weight
72013	230/50	12"(73030)Filter with 0.25hp(72513),1 carton	7(30)	1	20.2Lbs.
72015	230/50	12"(73030)Filter with 0.35hp(72515),1 carton	10(44)	1	21.7 Lbs.
72213	115/60	12"(73030)Filter with 0.25hp(72713),1 carton	8(35)	1	19.2 Lbs.
72215	115/60	12"(73030)Filter with 0.35hp(72715),1 carton	10(44)	1	21.1 Lbs.
72019	230/50	14"(73035)Filter with 0.25hp(72513),1 carton	7(30)	1	21 Lbs.
72021	230/50	14"(73035)Filter with 0.35hp(72515),1 carton	10(44)	1	22.5 Lbs.
72219	115/60	14"(73035)Filter with 0.25hp(72713),1 carton	8(35)	1	20.9 Lbs.
72221	115/60	14"(73035)Filter with 0.35hp(72715),1 carton	10(44)	1	22.9 Lbs.

Our systems are designed and equipped to offer the ideal combination of energy efficiency and outstanding water clarity. It consists of range of sand filter sizes and range of pumps. The pumps remain unsurpassed in its quality of material, workmanship and functional durability, the sand filters are strong, reliable and simple to operate. The size of your swimming pool determines the required combination.



System features

- Systems are designed for quick assembly and precise alignment of components
- Pumps and filters are performance-matched to provide maximum flow and energy efficiency
- Optional microprocessor pump timer available
- Filter bases are molded of rugged plastic for long-lasting, all-weather performance 4-position valve provides maximum flow at low pressure drop



Model Number	Voltage /Hertz	Description	Pump Flow m ³ /H(GPM)	Ctn. Qty.	Net. Weight
72012	230/50	12"(73030)Filter with 0.25hp(72512),1 carton	7(30)	1	17 Lbs.
72014	230/50	12"(73030)Filter with 0.35hp(72514),1 carton	10(44)	1	18.9 Lbs.
72212	115/60	12"(73030)Filter with 0.25hp(72712),1 carton	8(35)	1	16.8 Lbs.
72214	115/60	12"(73030)Filter with 0.35hp(72714),1 carton	10(44)	1	18.8 Lbs.
72018	230/50	14"(73035)Filter with 0.25hp(72512),1 carton	7(30)	1	19.1 Lbs.
72020	230/50	14"(73035)Filter with 0.35hp(72514),1 carton	10(44)	1	21 Lbs.
72218	115/60	14"(73035)Filter with 0.25hp(72712),1 carton	8(35)	1	18.5 Lbs.
72220	115/60	14"(73035)Filter with 0.35hp(72714),1 carton	10(44)	1	20.5 Lbs.

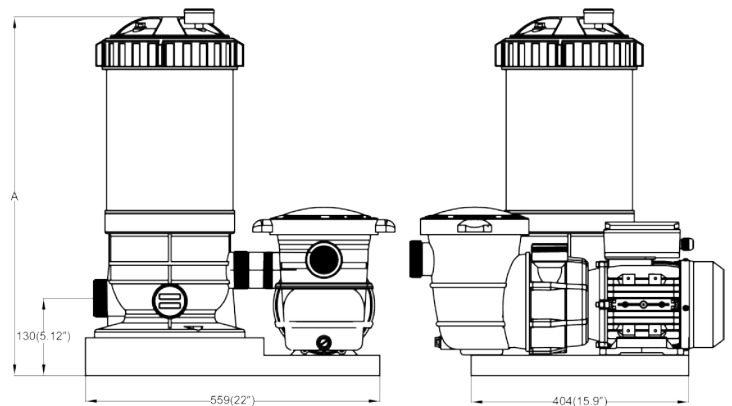
Convenience and virtually maintenance-free operation make this cartridge filter system a smart choice. It is a high quality filtration unit using a thermoplastic chemical-resistant tank with rugged, high efficiency pump. And all models are equipped with easy spin-on unions for plumbing hookups.



System features

- Top-mounted pressure gauge are positioned for easy reading
- Removable cartridge element for quick, convenient cleaning
- Flow-balanced tank hydraulics direct water through each side of filter module. Uniform dirt-loading prevents clogging
- Complete system includes the filter and a performance-matched pump that's ready for easy assembly on a tool-free platform
- Designed safety catch prevents over-tightening of the lid and efficiently secures the filter for high performance operation

Model Number	A mm(in)
72110/72310	520(20.5)
72111/72311	630(34.8)
72112/72312	768(30.2)
72113/72313	916(36)



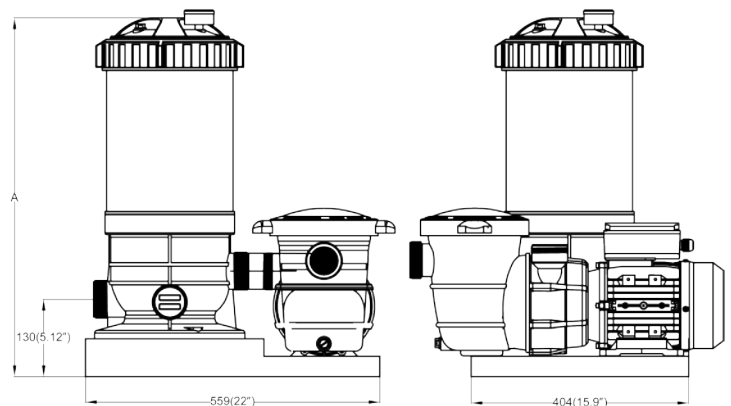
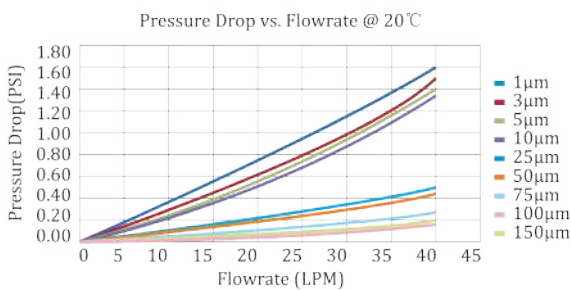
Model Number	Voltage /Hertz	Description	Pump Flow m ³ /H(GPM)	Ctn. Qty.	Net. weight
72110	230/50	73110(25ft ²)Filter with 0.5hp(72527),1 carton	14(60)	1	62*60.5*30.5
72111	230/50	73111(36ft ²)Filter with 0.5hp(72527),1 carton	14(60)	1	62*57*30.5
72112	230/50	73112(50ft ²)Filter with 0.5hp(72527),1 carton	14(60)	1	76*59*30.5
72113	230/50	73113(70ft ²)Filter with 0.75hp(72528),1 carton	15(66)	1	90*61*30.5
72310	115/60	73110(25ft ²)Filter with 0.75hp(72728),1 carton	14(60)	1	62*60.5*30.5
72311	115/60	73111(36ft ²)Filter with 0.75hp(72728),1 carton	14(60)	1	62*57*30.5
72312	115/60	73112(50ft ²)Filter with 0.75hp(72728),1 carton	14(60)	1	76*59*30.5
72313	115/60	73113(70ft ²)Filter with 1.0hp(72729),1 carton	16(70)	1	90*61*30.5

Convenience and virtually maintenance-free operation make this cartridge filter system a smart choice. It is a high quality filtration unit using a thermoplastic chemical-resistant tank with rugged, high efficiency pump. And all models are equipped with easy spin-on unions for plumbing hookups.



System features

- Top-mounted pressure gauge are positioned for easy reading
- Removable cartridge element for quick, convenient cleaning
- Flow-balanced tank hydraulics direct water through each side of filter module. Uniform dirt-loading prevents clogging
- Complete system includes the filter and a performance-matched pump that's ready for easy assembly on a tool-free platform
- Designed safety catch prevents over-tightening of the lid and efficiently secures the filter for high performance operation



Model Number	A mm(in)
72123	890(35")

Model Number	Voltage /Hertz	Description	Pump Flow m ³ /H(GPM)	Ctn. Qty.	Net. weight
72123000	230/50	73116 Filter with 1hp(72529),1 carton	16(70)	1	88*61*30.5
72123100	230/50	73116 Filter with 1.5hp(72530),1 carton	17(75)	1	88*61*30.5
72323000	115/60	73116 Filter with 1hp(72729),1 carton	16(70)	1	88*61*30.5
72323100	115/60	73116 Filter with 1.5hp(72730),1 carton	19(83)	1	88*61*30.5

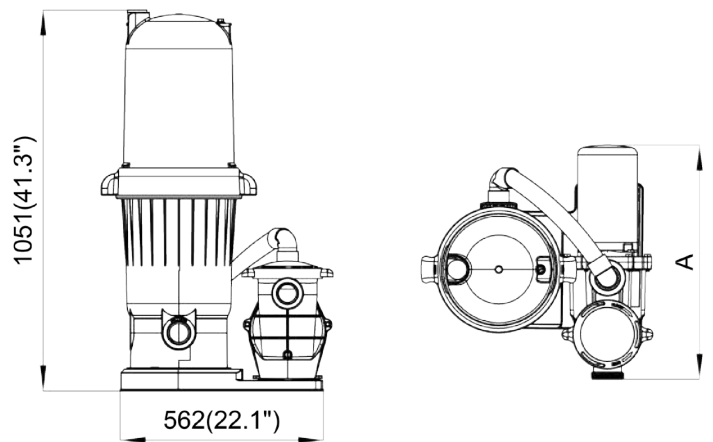
Convenience and virtually maintenance-free operation make this cartridge filter system a smart choice. It is a high quality filtration unit using a thermoplastic chemical-resistant tank with rugged, high efficiency pump. And all models are equipped with easy spin-on unions for plumbing hookups.



System features

- Top-mounted pressure gauge are positioned for easy reading
- Removable cartridge element for quick, convenient cleaning
- Flow-balanced tank hydraulics direct water through each side of filter module. Uniform dirt-loading prevents clogging
- Complete system includes the filter and a performance-matched pump that’s ready for easy assembly on a tool-free platform
- Designed safety catch prevents over-tightening of the lid and efficiently secures the filter for high performance operation

Model Number	A mm(in)
72325	640(25.2)
72326	650(25.6)
72327	560(22.1)
72328	580(22.8)
72329	627(24.7)
72330	627(24.7)



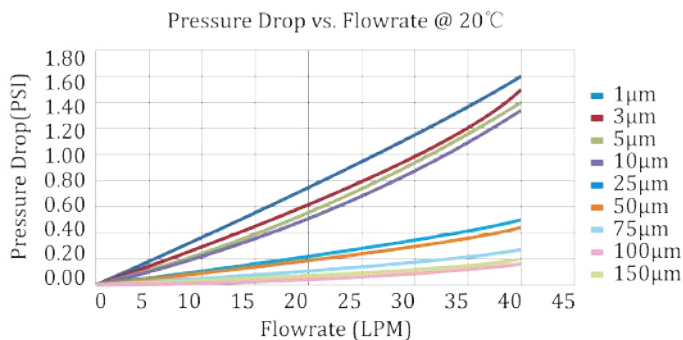
Model Number	Voltage /Hertz	Description	Pump Flow m³/H(GPM)	Ctn. Qty.	Net. weight
72325	115/230/60	73103(200ft²)Filter with 1.0hp(72747),1 carton	19(83)	1	35.2 Lbs.
72326	115/230/60	73103(200ft²)Filter with 1.5hp(72748),1 carton	22(97)	1	39.5 Lbs.
72327	115/230/60	73103(200ft²)Filter with 1.0hp(72743),1 carton	18(79)	1	30.4 Lbs.
72328	115/230/60	73103(200ft²)Filter with 1.5hp(72744),1 carton	20(88)	1	35.2 Lbs.
72329	115/60	73103(200ft²)Filter with 1.0hp(72746),1 carton	18(79)	1	35.6 Lbs.
72330	115/60	73103(200ft²)Filter with 1.0hp(72753 two speed),1 carton	18(79)	1	35.8 Lbs.

Convenience and virtually maintenance-free operation make this cartridge filter system a smart choice. It is a high quality filtration unit using a thermoplastic chemical-resistant tank with rugged, high efficiency pump. And all models are equipped with easy spin-on unions for plumbing hookups.



System features

- Systems are designed for quick assembly and precise alignment of components
- Pumps and filters are performance-matched to provide maximum flow and energy efficiency
- Optional microprocessor pump timer available
- Filter bases are molded of rugged plastic for long-lasting, all-weather performance 4-position valve provides maximum flow at low pressure drop



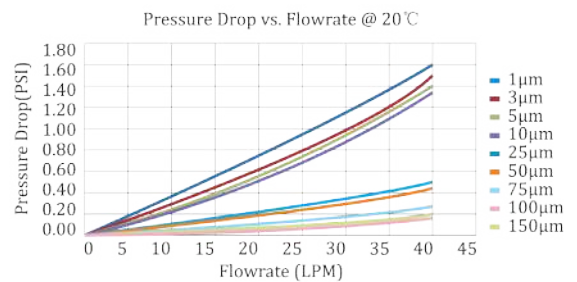
Model Number	Voltage /Hertz	Description	Pump Flow m ³ /H(GPM)	Ctn. Qty.	Net. weight
72122000	230/50	73118Filter with 0.25hp(72512),1 carton	7(30)	1	12.6
72122100	230/50	73118Filter with 0.35hp(72514),1 carton	10(44)	1	14.6
72322000	115/60	73118Filter with 0.25hp(72712),1 carton	8(35)	1	12.6
72322100	115/60	73118Filter with 0.35hp(72714),1 carton	10(44)	1	14.6

Convenience and virtually maintenance-free operation make this cartridge filter system a smart choice. It is a high quality filtration unit using a thermoplastic chemical-resistant tank with rugged, high efficiency pump. And all models are equipped with easy spin-on unions for plumbing hookups.



System features

- Top-mounted pressure gauge are positioned for easy reading
- Removable cartridge element for quick, convenient cleaning
- Flow-balanced tank hydraulics direct water through each side of filter module. Uniform dirt-loading prevents clogging
- Complete system includes the filter and a performance-matched pump that's ready for easy assembly on a tool-free platform
- Designed safety catch prevents over-tightening of the lid and efficiently secures the filter for high performance operation



Model Number	Voltage /Hertz	Description	Pump flow m ³ /H(GPM)	Ctn. Qty.	Net. weight
72121000	230/50	14"(73035)Filter with 0.25hp(72516),1 carton	7(30)	1	31.3 Lbs.
72121100	230/50	14"(73035)Filter with 0.35hp(72517),1 carton	9(40)	1	33.2 Lbs.
72321000	115/60	14"(73035)Filter with 0.25hp(72716),1 carton	7(30)	1	31.4 Lbs.
72321100	115/60	14"(73035)Filter with 0.35hp(72717),1 carton	9(40)	1	32.9 Lbs.

The solar shower is designed for you to enjoy all the hot, cold or warm water. It is suitable for homes, apartments, vacation homes and piers, as well as swimming pools and beaches. Simply connected with a standard garden hose, water runs into the shower cylinder and heats up in the sun, so it costs less in pump installation and energy. With anchoring bolts, all fittings and a mixer tap, it is easy to install and operate.

Features

- Warm water showers with no energy costs
- Connects to any standard garden hose, No additional plumbing needed
- Directional shower head
- High temperature safety cut-off
- Chrome plated mixer tap
- Installs easily on any soled wood surface, or can be anchored into cement or other solid outdoor surfaces.
- Environmental friendly and durability engineering plastic material of PVC
- Fully factory tested

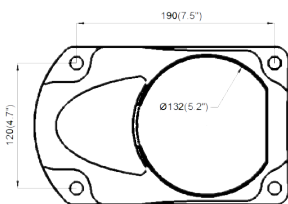


70552

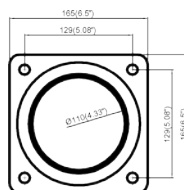


70514

Dimensions



70552



70514

Model Number	Capacity (L)	Maximum Working pressure bar(PSI)	Foot Wash	High (cm)	Ctn. Qty.	Net. Weight
70514	18	3.5(50)	NO	214	1	13.1 Lbs
70552	25	3.5(50)	NO	214	1	17.8 Lbs

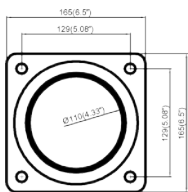
The solar shower is designed for you to enjoy all the hot, cold or warm water. It is suitable for homes, apartments, vacation homes and piers, as well as swimming pools and beaches. Simply connected with a standard garden hose, water runs into the shower cylinder and heats up in the sun, so it costs less in pump installation and energy. With anchoring bolts, all fittings and a mixer tap, it is easy to install and operate.

Features

- Warm water showers with no energy costs
- Connects to any standard garden hose, No additional plumbing needed
- Directional shower head
- High temperature safety cut-off
- Chrome plated mixer tap
- Installs easily on any soled wood surface, or can be anchored into cement or other solid outdoor surfaces.
- Environmental friendly and durability engineering plastic material of PVC
- Fully factory tested



Dimensions



70508/70509

Directions for use:

COLDWATER

Water from "IN" port flow into the valve through 1# pipe. Control the valve handle to the "Cold" position. Valve connect 1# pipe and 3# pipe. Water flow into 3# pipe through the VALVE. 2# pipe is OFF now. Cold water flow out of the "OUT" port through 3# pipe.

HOTWATER

Water from "IN" port flow into the valve through 1# pipe. Control the valve handle to the "Hot" position. Valve connect 1# pipe and 2# pipe. Water flow into 2# pipe through the VALVE. 3# pipe is OFF now. Cold water flow into PVC tube through 2# pipe. Cold water in PVC tube will be heated by sunshine. Water flow up from bottom of the PVC tube to the top of the tube, and into 3# pipe from the top port. Hot water flow out of the "OUT" port through 3# pipe.

WARM WATER

Above 2 progress work synchronously.

Model Number	Capacity (L)	Maximum Working pressure bar(PSI)	Foot Wash	High (cm)	Ctn. Qty.	Net. Weight
70508	18	3.5(50)	NO	214	1	12 lbs.
70509	20	3.5(50)	NO	214	1	13.1 lbs.

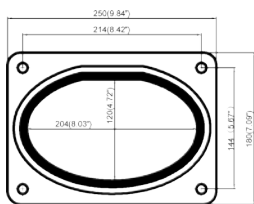
Our eco-friendly solar shower with elegant design it makes easy to rinse off before and after swimming. You will enjoy the convenience of warm, refreshing shower outdoors. The water reservoir absorbs the sun's energy and naturally heats the water inside so there are no energy costs. This is a great addition to any deck, patio or pool area.

Features

- Warm water showers with no energy costs
- Connects to any standard garden hose, No additional plumbing needed
- Directional shower head
- High temperature safety cut-off
- Chrome plated mixer tap
- Installs easily on any soled wood surface, or can be anchored into cement or other solid outdoor surfaces.
- Large capacity
- Environmental friendly and durability engineering plastic material of PVC
- Fully factory tested



Dimensions



70534/70535

Directions for use:

COLDWATER

Water from "IN" port flow into the valve through 1# pipe. Control the valve handle to the "Cold" position. Valve connect 1# pipe and 3# pipe. Water flow into 3# pipe through the VALVE. 2# pipe is OFF now. Cold water flow out of the "OUT" port through 3# pipe.

HOTWATER

Water from "IN" port flow into the valve through 1# pipe. Control the valve handle to the "Hot" position. Valve connect 1# pipe and 2# pipe. Water flow into 2# pipe through the VALVE. 3# pipe is OFF now. Cold water flow into PVC tube through 2# pipe. Cold water in PVC tube will be heated by sunshine. Water flow up from bottom of the PVC tube to the top of the tube, and into 3# pipe from the top port. Hot water flow out of the "OUT" port through 3# pipe.

WARM WATER

Above 2 progress work synchronously.

Model Number	Capacity (L)	Maximum Working pressure bar(PSI)	Foot Wash	High (cm)	Ctn. Qty.	Net. Weight
70534	34	3.5(50)	NO	214	1	25.5 lbs.
70535	34	3.5(50)	YES	214	1	28 lbs.
70538	34	3.5(50)	NO	214	1	25.6 lbs.
70539	34	3.5(50)	YES	214	1	28.1 lbs.

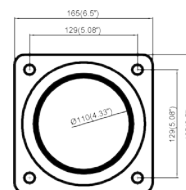
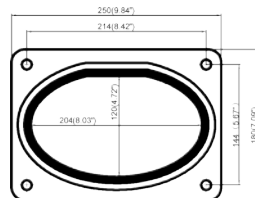
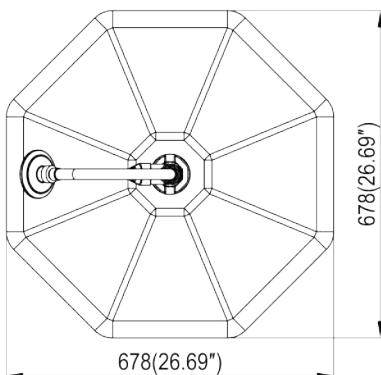
The solar shower is designed for you to enjoy all the hot, cold or warm water. It is suitable for homes, apartments, vacation homes and piers, as well as swimming pools and beaches. Simply connected with a standard garden hose, water runs into the shower cylinder and heats up in the sun, so it costs less in pump installation and energy. With anchoring bolts, all fittings and a mixer tap, it is easy to install and operate.

Features

- Warm water showers with no energy costs
- Connects to any standard garden hose, No additional plumbing needed
- Directional shower head
- High temperature safety cut-off
- Chrome plated mixer tap
- Installs easily on any soled wood surface, or can be anchored into cement or other solid outdoor surfaces.
- Environmental friendly and durability engineering plastic material of PVC
- Fully factory tested



Dimensions



Model Number	Capacity (L)	Maximum Working pressure bar(PSI)	Foot Wash	High (cm)	Ctn. Qty.	Net. Weight
70505	9	3.5(50)	NO	214	1	8.6 lbs.
70544	18	3.5(50)	NO	214	1	16.7 lbs
70546	20	3.5(50)	NO	214	1	19.2 lbs

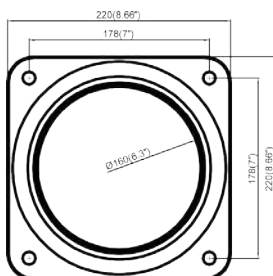
Our eco-friendly solar shower with elegant design it makes easy to rinse off before and after swimming. You will enjoy the convenience of warm, refreshing shower outdoors. The water reservoir absorbs the sun's energy and naturally heats the water inside so there are no energy costs. This is a great addition to any deck, patio or pool area.

Features

- Warm water showers with no energy costs
- Connects to any standard garden hose, No additional plumbing needed
- Directional shower head
- High temperature safety cut-off
- Chrome plated mixer tap
- Installs easily on any soled wood surface, or can be anchored into cement or other solid outdoor surfaces.
- Aluminum alloy for 70553 and PVC for 70548
- Large capacity
- Fully factory tested



Dimensions



Directions for use:

COLDWATER

Water from "IN" port flow into the valve through 1# pipe. Control the valve handle to the "Cold" position. Valve connect 1# pipe and 3# pipe. Water flow into 3# pipe through the VALVE. 2# pipe is OFF now. Cold water flow out of the "OUT" port through 3# pipe.

HOTWATER

Water from "IN" port flow into the valve through 1# pipe. Control the valve handle to the "Hot" position. Valve connect 1# pipe and 2# pipe. Water flow into 2# pipe through the VALVE. 3# pipe is OFF now. Cold water flow into PVC tube through 2# pipe. Cold water in PVC tube will be heated by sunshine. Water flow up from bottom of the PVC tube to the top of the tube, and into 3# pipe from the top port. Hot water flow out of the "OUT" port through 3# pipe.

WARM WATER

Above 2 progress work synchronously.

Model Number	Capacity (L)	Maximum Working pressure bar(PSI)	Foot Wash	High (cm)	Ctn. Qty.	Net. Weight
70548	40	3.5(50)	YES	214	1	21.1 lbs.
70553	40	3.5(50)	NO	214	1	18 lbs.
70556	40	3.5(50)	YES	214	1	21.2 lbs.
70557	40	3.5(50)	NO	214	1	18.1 lbs.

Optional shower head for solar shower



Big LED shower Head



Small LED shower Head



Model Number	Capacity (L)	Description
70511	18	70508 W/small LED shower head
70512	20	70508 W/small LED shower head
70536	34	70534 W/big LED shower head
70537	34	70535 W/big LED shower head
70554	40	70553 W/big LED shower head
70555	25	70552 W/small LED shower head
70545	18	70544 W/small LED shower head
70547	20	70546 W/small LED shower head

The solar panel can save your energy costs and add weeks to the swimming season with free, eco-friendly energy from the sun heating the pool water. It utilizes your existing pool pump to circulate water through the solar collectors, heat it by the sun and return it to the pool through the existing fitting. It is designed for easy installation and flexible use, which is ideal heater for above-ground and most in ground pools.



Features

- Heat pool in the environmentally friendly way
- High efficient solar heating
- Easy and fast installation design
- For large pools, multiple heaters can be connected with use of a bypass Kit
- Engineering plastic for durable use
- Fully factory tested



For above ground pool

Pool Size		Model Number				
Round Pool	Oval Pool	70600000	70600001	70600002	70600003	70601001
12'-18'	12'x24'	1	2	2	1	1
21'-24'	15'x30'-16'x25'	3	6	5	4	3
27'-28'	16'x32'-18'x34'	5	10	8	6	5

For in-ground pool

Pool Size	Model Number							
	70600000	70600001	70600002	70600003	70601000	70601001	70601002	70601003
15'x30'	4	8	6	5	2	4	3	2
16'x36'	6	12	9	7	3	6	5	4
20'x40'	8	16	12	10	4	8	6	5

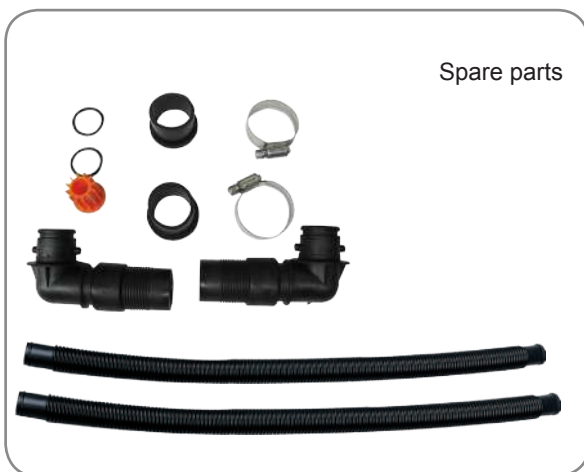
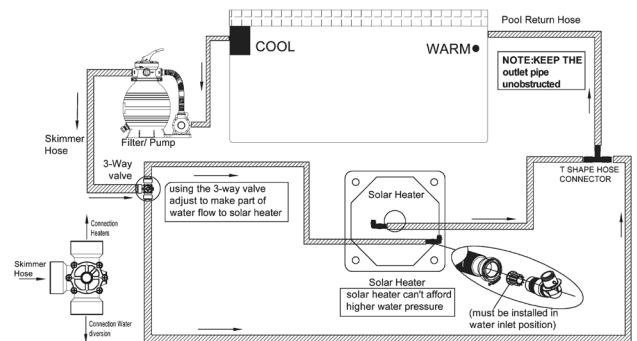
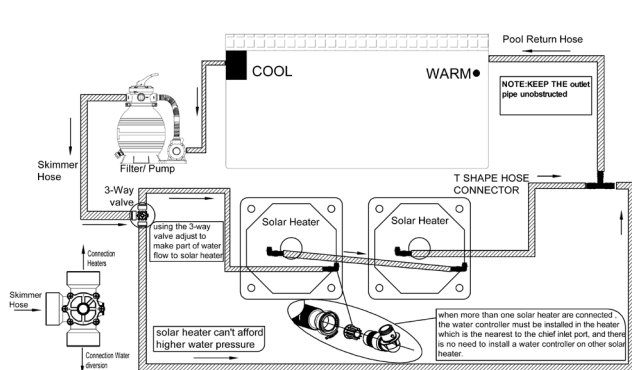
Model Number	Capacity (L)	Maximum Working pressure bar(PSI)	Explode pressure bar(psi)	Area (m ²)	Ctn. Qty.	Net. Weight	Carton Dimension (cm)
70600000	9.2	2(30)	4(58)	0.68x6=4.08	1	20.3 lbs.	37x37x82
70600001	4.66	2(30)	4(58)	0.68x3=2.04	1	11.88 lbs.	33x33x82
70600002	6.72	2(30)	4(58)	0.68x4=2.72	1	14.7 lbs.	35x35x82
70600003	8	2(30)	4(58)	0.68x5=3.4	1	17.43 lbs.	36x36x82

Model Number	Capacity (L)	Maximum Working pressure bar(PSI)	Explode pressure bar(psi)	Area (m ²)	Ctn. Qty.	Net. Weight	Carton Dimension (cm)
70601000	18.4	2(30)	4(58)	1.36x6=8.16	1	40 lbs.	44x44x82
70601001	9.32	2(30)	4(58)	1.36x3=4.08	1	23.3 lbs.	40x40x82
70601002	13.44	2(30)	4(58)	1.36x4=5.44	1	28.86 lbs.	42x42x82
70601003	16	2(30)	4(58)	1.36x5=6.8	1	34.32 lbs.	43x43x82

Add weeks to the swimming season with free, eco-friendly energy from the sun heating the pool water. The heater is for easy installation and flexible use. It is ideal for use with popular above-ground and most in ground pools. Heat pool water the green way using solar energy and get the most out of pool season.

Features

- Fits 1-1/4in to 1 1/2in flexible hose fitting
- Works with your existing filter pump
- 2,500 BTU/Hour Thermal Capacity per unit
- Multiple heaters can be connected in series to increase heating efficiency
- Stainless steel hose clamps
- Simple installation with hook up hoses
- Includes protective cover for when unit is not in use (not shown)



Spare parts

Pool Specifics		Time Required in Days to Heat Pool 5 Degrees Fahrenheit *			
Pool Size	Gallons	1Heater	2Heater	3Heater	4Heater
8'x30"	640	1.1	0.5	0.4	0.3
10'x30"	1018	1.7	0.8	0.6	0.4
15'x48"	3736	6.2	3.1	2.1	1.6
16'x48"	5061	8.4	4.2	2.8	2.1
18'x52"	5894	9.8	4.9	3.3	2.5
12'x24'x48"	5407	9.0	4.5	3.0	2.3
12'x28'x48"	6420	10.7	5.3	3.6	2.7
16'x32'x52"	14364	23.9	12.0	8.0	6.0

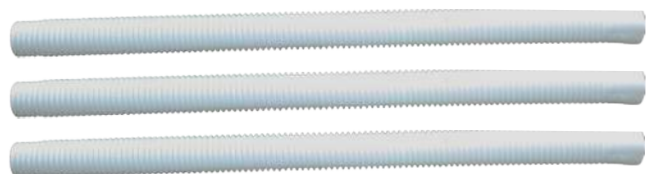
*Based on 10 hours of sunshine per day with Solar Heater in a proper 30 degree angle positioned in a southern exposure direction and the use of a pool cover at night to retain heat during non-daylight hours

Model Number	Capacity (L)	Maximum Working pressure bar(PSI)	Ctn. Qty.	Net. Weight	Carton Dimension (cm)
70603	5.5	2(30)	1	16.4 lbs.	70*70*25.5

The cleaners are designed to clean the bottom of all sizes and shapes of above-ground and in-ground pools automatically. It attractive fellows operate off the pool's existing filtration system and random-style will make it won't miss a spot. All the designs we used is to make it in its pursuit of dirt and debris, while keeping it affordable and dependable.

Features

- Wider mouth capture large and small debris with ease
- Water pressure regulating valve to ensure the ideal travel speed for more thorough cleaning
- Twain drain design to make superior vacuum power
- Fixed wheel deflector enables fluid navigation around the pool
- Quick connect which enables quick and secure attachment to cleaner head



Model Number	Work Flow	Hoses	Ctn. Qty.	Net. Weight	Carton Dimension (cm)
73274	4.5m ³ /h	Blow molded hose 10pcs*0.8m	1	8.8 lbs.	44*14*83

The cleaners are designed to clean the bottom of all sizes and shapes of above-ground and in-ground pools automatically. It attractive fellows operate off the pool's existing filtration system and random-style will make it won't miss a spot. All the designs we used is to make it in its pursuit of dirt and debris, while keeping it affordable and dependable.

Features

- Wider mouth capture large and small debris with ease
- Water pressure regulating valve to ensure the ideal travel speed for more thorough cleaning
- Twain drain design to make superior vacuum power
- Fixed wheel deflector enables fluid navigation around the pool
- Quick connect which enables quick and secure attachment to cleaner head



Spare parts

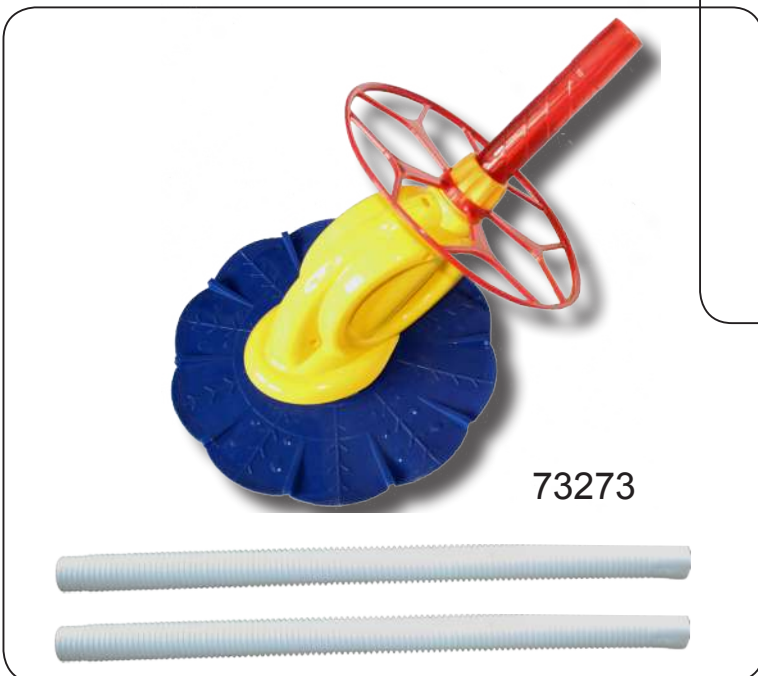
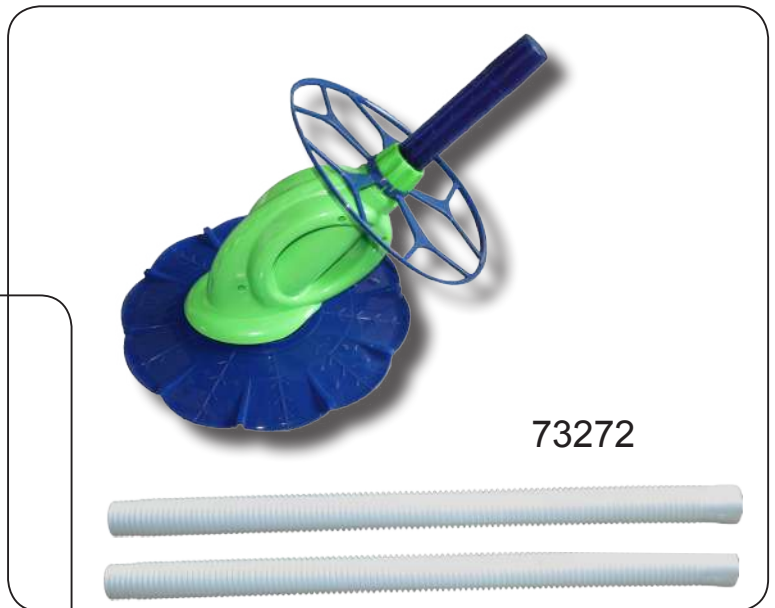


Model Number	Work Flow	Hoses	Ctn. Qty.	Net. Weight	Carton Dimension (cm)
73240	4.5m³/h	Extruded hose 10pcs*1m	1	11.1 Lbs.	48*14*103
73250	4.5m³/h	Extruded hose 10pcs*1m	1	10.7 Lbs.	44*14*103
73260	4.5m³/h	Extruded hose 10pcs*1m	1	11.3 Lbs.	48*14*103

The cleaners are designed for simple, silent operation and low-cost maintenance. The large wheel deflector keeps the cleaner from getting caught on steps, ladders or in corners so it can keep on cleaning the pool. It attractive fellows operate off the pool's existing filtration system and random-style will make it won't miss a spot. The cleaner will provide satisfying performance for virtually any pool environment.

Features

- Quiet, attractive and efficient design
- Large intake throat assures removal of large and small debris
- Water pressure regulating valve to ensure the ideal travel speed for more thorough cleaning
- Wheel deflector enables enhanced agility for negotiating tight corners
- Quick connect which enables quick and secure attachment to cleaner he



Model Number	Work Flow	Application	Hoses	Ctn. Qty.	Net. Weight	Carton Dimension (cm)
73271	4.5m ³ /h	in-ground pool	Extruded hose 10pcs*1m	1	10.7 lbs.	49*17*106
73272	4.5m ³ /h	above-ground pool	Blow molded hose 10pcs*0.8m	1	8.8 Lbs.	43*15*82
73273	3.5m ³ /h	above-ground pool	Blow molded hose 10pcs*0.8m	1	8.8 Lbs.	43*15*82

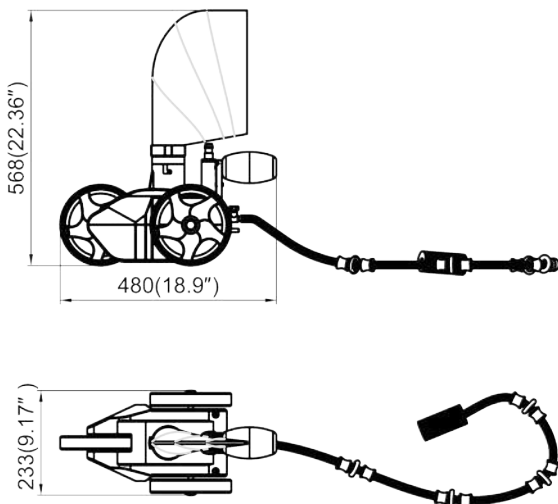
It has the most vacuum power of any cleaner, which enhances the swimming experience, providing a clearer body of water by returning clean filtered water throughout all areas of the pool. And independent booster pump operation keeps the skimmer free to remove surface debris and contaminants for a cleaner. The pool can be sparkling with minimum effort.

Features

- Wider vacuum nozzle and powerful sweep hose for faster cleaning
- Sweeps and scrubs the bottom and walls of any size or shape pool
- Programmable spin out allows random cleaning to all kinds of pool dimensions
- Large-capacity debris channel and intake throat easily pick up leaves and large debris
- Easy to remove, clean and replace debris bag
- Fully factory tested



Dimensions



Model Number	Rated pressure bar(psi)	Ctn. Qty.	Net. Weight	Carton Dimension (cm)
73270	3.5(50)	1	9.5 lbs.	51*50*32

The robotic cleaner is designed with high-performance cleaning for all types and sizes of pools. It is the computer-controlled, programmed cleaner that scrubs and vacuums pool's bottom, walls and provides supplemental filtration of pool water. It is a totally self-contained cleaning and filtration system, just plug it in and place it in the pool. Quiet and attractive, is the intelligent choice in automatic cleaners for smart pool professionals.



Features

- Powerful vacuum action removes fine particles and larger debris and integrated filtration system captures dirt and debris in filter canister
- Two large capacity filter canister, simple debris removal with easy top access
- Highly efficient operation, reduces filter cleaning time by efficiently collecting and depositing debris
- Programmed reverse feature prevents hang-ups in corner for uninterrupted service
- Clean all pool surface and it is suitable for all types and sizes of pools

Specifications

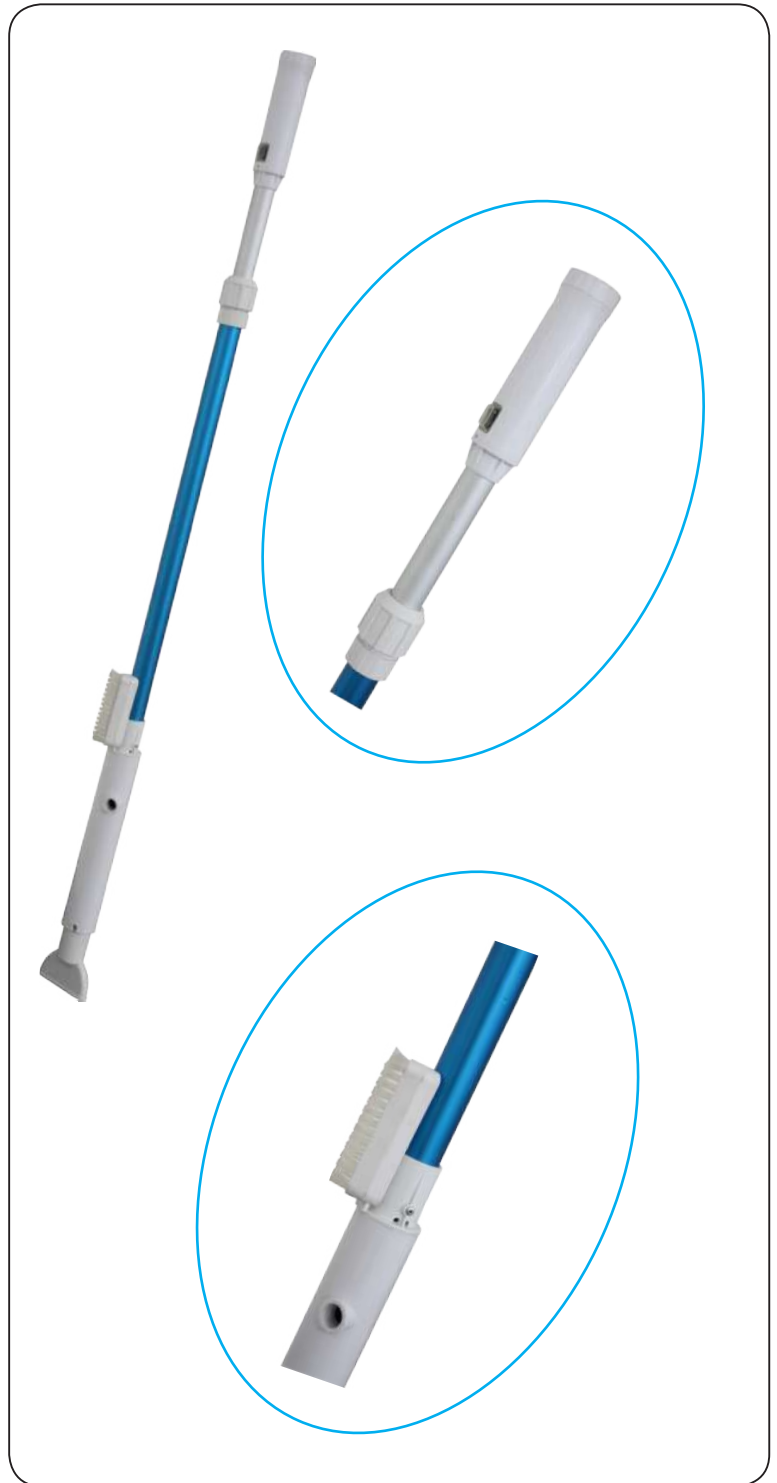
Cycle time: 1.5 - 3 - 5 hours	Power supply: IP54
Cable length: 59Ft	Out Voltage: 22V
Suction rate: 4,233 gal (USA) per hour	Pump Power: 60W
Maximum Pool Size: up to 50Ft	Drive Power: 10W

Model Number	Voltage	Ctn. Qty.	Net. Weight
73280000	115V	1	35.2 lbs.
73280100	230V	1	35.2 lbs.

This SPA vacuum is a great accessory for achieving a SPA cleaning and making people enjoy the water fun. The filtration system could efficiently pick up debris and additional brush would clean the floors or walls. Besides adjustable anodized aluminum pole makes it suitable for any size of SPAs.

Features

- The adjustable anodized aluminum pole length is between 135cm to 190cm
- Designed vacuum gauge for simple and accurate vacuum measurements
- Easy operation and maintenance
- All material is made for durability



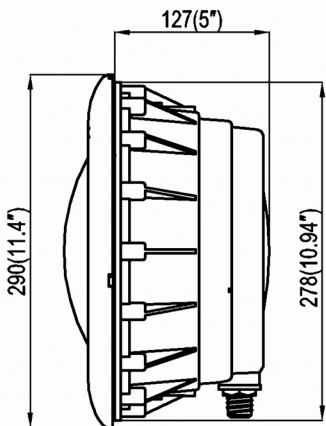
Model Number	Voltage	Power	Application	Carton Dimension (cm)
73330	12V/DC	24W	Above-ground pool/SPA	137*13*22(4pcs)

The most attractive of underwater lights is to change the look of swimming pools. Halogen light which is dependable has been the standard for the underwater light of pools and spas. The glass prism can produce the most perfect light diffusion effect. The 2.5m cord to satisfy any installation requests. They are beyond their values and your expectations.

Features

- Attractive face rim is made of corrosion-free material
- Easy maintenance.
- No need to lower the water level while repairing.

Dimensions



Model Number	Voltage	Application	Color	LED	Ctn. Qty.	Net. Weight	Carton Dimension (cm)
70723	12V/AC/300W	Concrete Pool			1	5.7 Lbs.	32*32*18
70724	12V/AC/300W	PVC Pool			1	6.2 Lbs.	32*32*18
70725	12V/AC	Concrete Pool	white	315PCS	1	5.7 Lbs.	32*32*18
70726	12V/AC	PVC Pool	white	315PCS	1	6.2 Lbs.	32*32*18
70727	12V/AC	Concrete Pool	multicolor	252PCS	1	5.7 Lbs.	32*32*18
70728	12V/AC	PVC Pool	multicolor	252PCS	1	6.2 Lbs.	32*32*18

Use the recycled water from your filtration system to provide energy. The fountains do not need electric or battery to start working. The LED lights will change automatically to shoot out different colors and enjoy the colorful water.

Features

- Do not need the electric or battery, the water flow make the generator works.
- Suitable for both above and in-ground pools.



Color change sequence:

RED-BLUE-GREEN-RED&BLUE-RED&GREENBLUE&GREEN-RED&BLUE&GREEN, the color changes according this sequence.

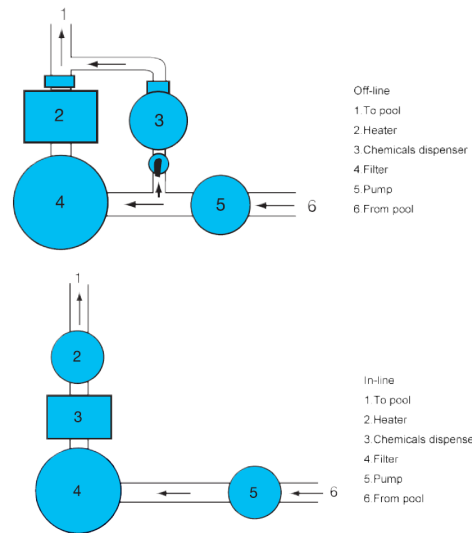
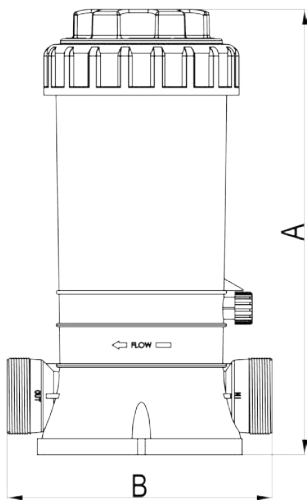
Model Number	Work pressure bar(psi)	Pipe Size	Carton Dimension (cm)
70750	>0.5(7.2)<1.5(21.6)	1 1/2"	71.5*32.5*29(10pcs)

Efficient and maintenance-free, these durable, corrosion-proof automatic chlorinators are ideal for new or existing pools or spas and work automatically with your pump and filter system.

Features

- Completely enclosed system, no special venting required
- No escaping gases
- Dial control valve lets you control and adjust the rate of feed
- Designed threaded cover for safe and convenient access to add tablets
- Simple installation for do-it-yourselfers
- Fully factory tested

Dimensions



Note: Chemical feeders should always be installed as above indicated position

Caution: Extreme care must be exercised when adding chemicals to your pool. Concentrated chemicals may react violently if they mix in the chemical feeder causing a fire or explosion which may result in PROPERTY DAMAGE PERSONAL INJURY OR DEATH.

Caution: Never use any petroleum based lubricants on cover O-Ring. Regular lubrication is necessary to allow for easy cover removal. Use non-petroleum based lubricants.

Model Number	Capacity kg(lbs)	Dimension B*A	Pool Size (m3)	Thread Diameter		Ctn. Qty.	Net. Weight
70166	2.5(4.2)	212x356	95	3/8"-18	Off-Line	1	2.2 Lbs.
70167	2.5(4.2)	205x356	95	1 1/2"-11 1/2	In-Line	1	1.8 Lbs.
70168	4.5(9)	203x390	150	3/8"-18	Off-Line	1	3.5 Lbs.
70169	4.5(9)	230x390	150	1 1/2"-11 1/2	In-Line	1	3.2 Lbs.

Efficient and maintenance-free, these durable, corrosion-proof automatic chlorinators are ideal for new or existing pools or spas and work automatically with your pump and filter system.

Features

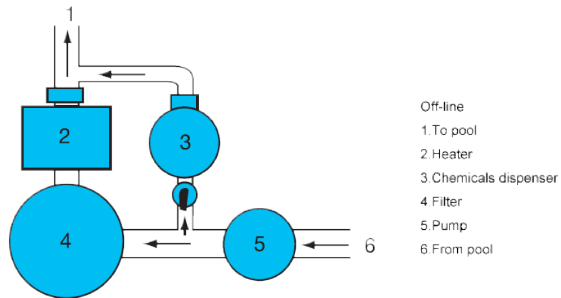
- Completely enclosed system, no special venting required
- No escaping gases
- Designed threaded cover for safe and convenient access to add tablets
- Simple installation for do-it-yourselfers
- Fully factory tested
- Optional visible lid could choose for easy tablet level monitoring



70176/70177/70178/70179



70176001/70177001/70178001/70179001

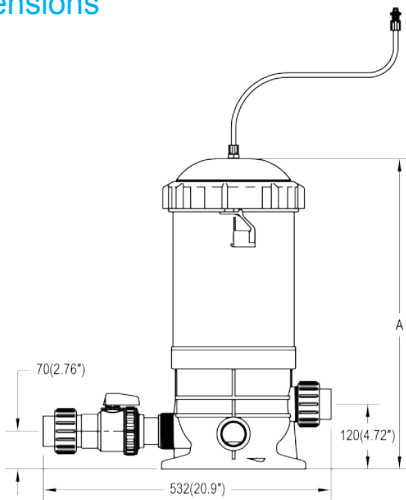


Note: Chemical feeders should always be installed as above indicated position

Caution: Extreme care must be exercised when adding chemicals to your pool. Concentrated chemicals may react violently if they mix in the chemical feeder causing fire or explosion which may result in PROPERTY DAMAGE PERSONAL INJURY OR DEATH.

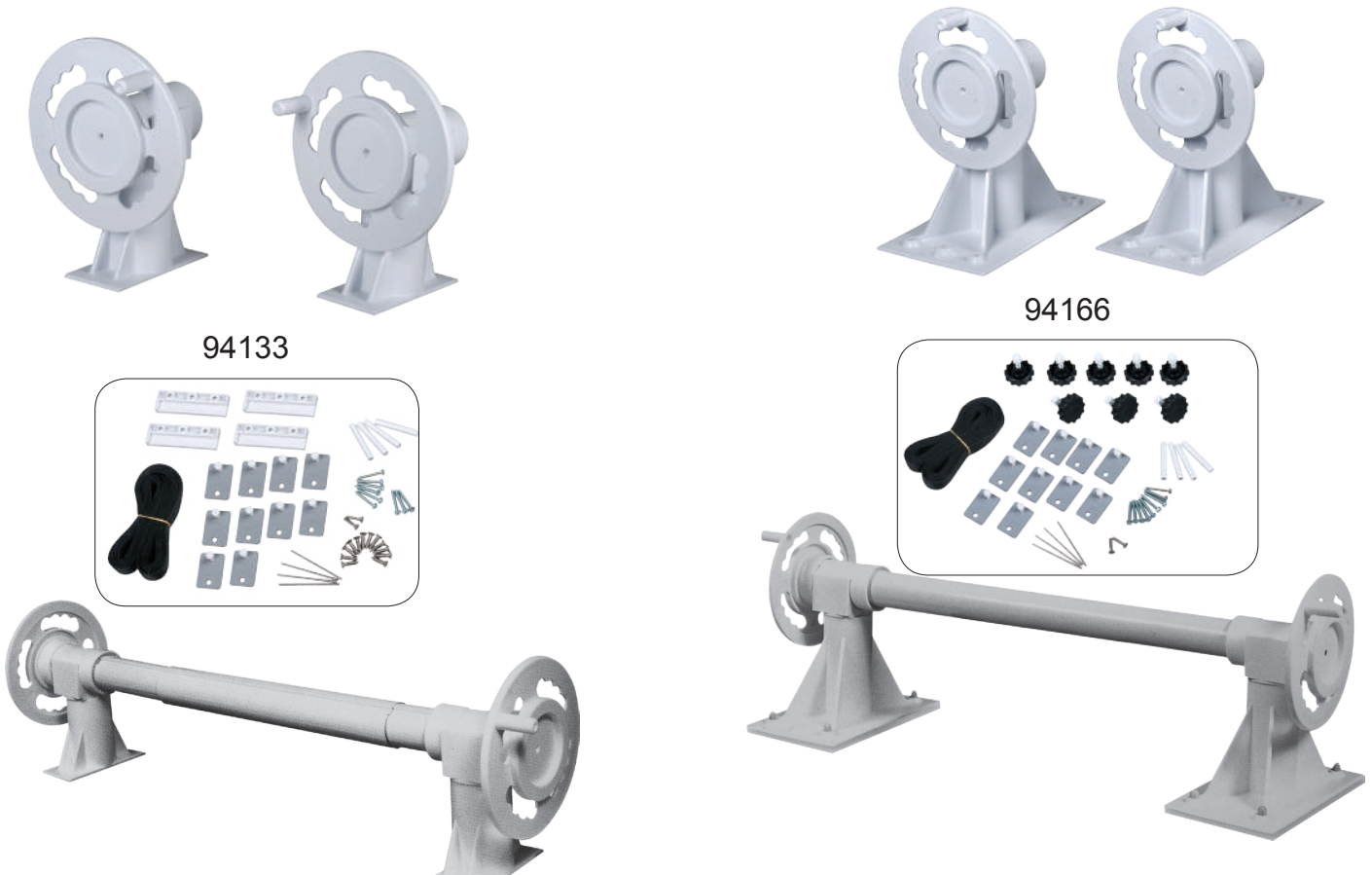
Caution: Never use any petroleum based lubricants on cover O-Ring. Regular lubrication is necessary to allow for easy cover removal. Use non-petroleum based lubricants.

Dimensions



Model Number	Capacity kg(lbs)	Dimension A	Pool Size (m ³)	Pipe Size		Ctn. Qty.	Net. Weight
70176	16.8(37)	460(18.11")	300	1 1/2"	Off-Line	1	10.4 Lbs.
70177	22.8(50)	570(22.44")	450	1 1/2"	Off-Line	1	11.7 Lbs.
70178	29.5(65)	708(27.87")	600	1 1/2"	Off-Line	1	13.3 Lbs.
70179	36(86)	809(31.85")	850	1 1/2"	Off-Line	1	14.9 Lbs.
70176001	16.8(37)	460(18.11")	300	1 1/2"	Off-Line	Visible	10.4 Lbs.
70177001	22.8(50)	570(22.44")	450	1 1/2"	Off-Line	Visible	11.7 Lbs.
70178001	29.5(65)	708(27.87")	600	1 1/2"	Off-Line	Visible	13.3 Lbs.
70179001	36(86)	809(31.85")	850	1 1/2"	Off-Line	Visible	14.9 Lbs.

The immovable solar rollers must be fastened on the ground with screws. Each of the solar rollers is equipped with 2 plastic handles and 3 pieces of aluminum telescopic axles. Elastic ropes are used to connect a bubble cover and the roller. One end of the elastic rope should be fixed in the grooves of the aluminum axles and connect the other end to bubble cover. Then turning the roller handle, the cover will be rolled onto the aluminum axles.

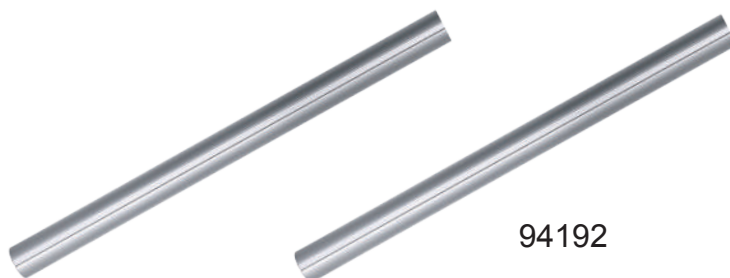


Model Number	Alu.tubes match	Application	Ctn. Qty.	Net. Weight
94133	94192	Above-ground pool	1	8.4 lbs.
94166	94192	in-ground pool	1	12.8 lbs.

Features

- Easy to install and operate
- Mooring-post shaped plastic end stands
- The cover rollers come with a reinforced plastic hand wheel

Dimensions

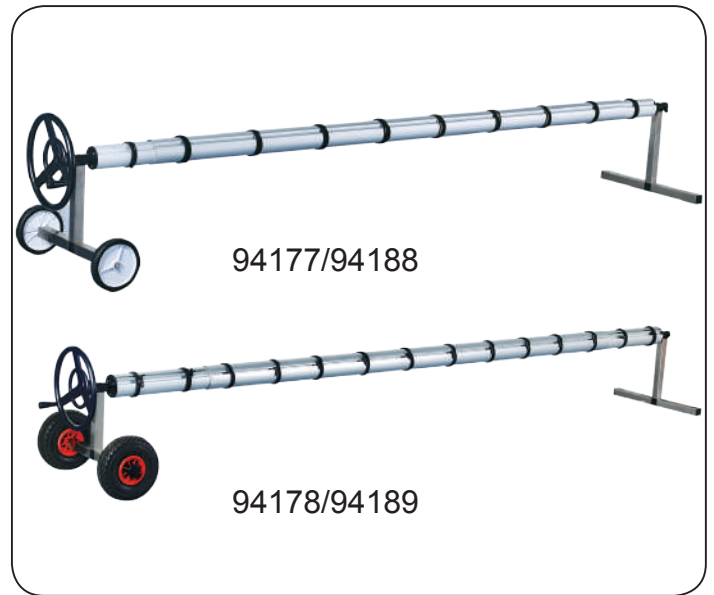


94192



Model Number	Length m(ft.)	Extension range m(ft.)	Ctn. Qty.	Net. Weight
94192	3x2.44(1x8')	4.88~6.3(16'~20.7')	1	15 lbs.

Each of the movable solar rollers is equipped with a synthetic resin hand wheel and 3 pieces of aluminum telescopic axles. Elastic ropes are used to connect a bubble cover and the roller. One end of the elastic rope should be fixed in the grooves of the aluminum axles and connect the other end to bubble cover. Then turning the roller handle, the cover will be rolled onto the aluminum axles.



Features

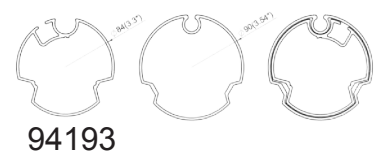
- Easy to install and operate
- T-shaped end stands made of 304 stainless steel tubes for durable use
- T-shaped end stands design for extra stability
- One bare end stand, one end stand fitted with two wheels
- Device to block the axle
- The cover rollers come with a synthetic resin hand wheel
- The cover rollers are equipped with an anodized Aluminum, telescopic, 3 piece axle



Model Number	Alu.tubes match	Wheels	Application	Ctn. Qty.	Net. Weight
94177	94193	Plastic wheels	in-ground pool	1	10 lbs.
94188	94194	Plastic wheels	in-ground pool	1	10.2 lbs.
94178	94193	inflatable wheels	in-ground pool	1	13 lbs.
94189	94194	inflatable wheels	in-ground pool	1	13.2 lbs.



Dimensions



94193



94194

Model Number	Length m(ft.)	Extension range m(ft.)	Ctn. Qty.	Net. Weight
94193	1x2.44(1x8') 2x2.1(2x6.9')2.5(4.2)	4.2~5.64(13.8'~18.5')	1	25.8 Lbs.
94194	3x2.9(3x9.5')	5.8~7.7(19'~25.3')	1	38.4 Lbs

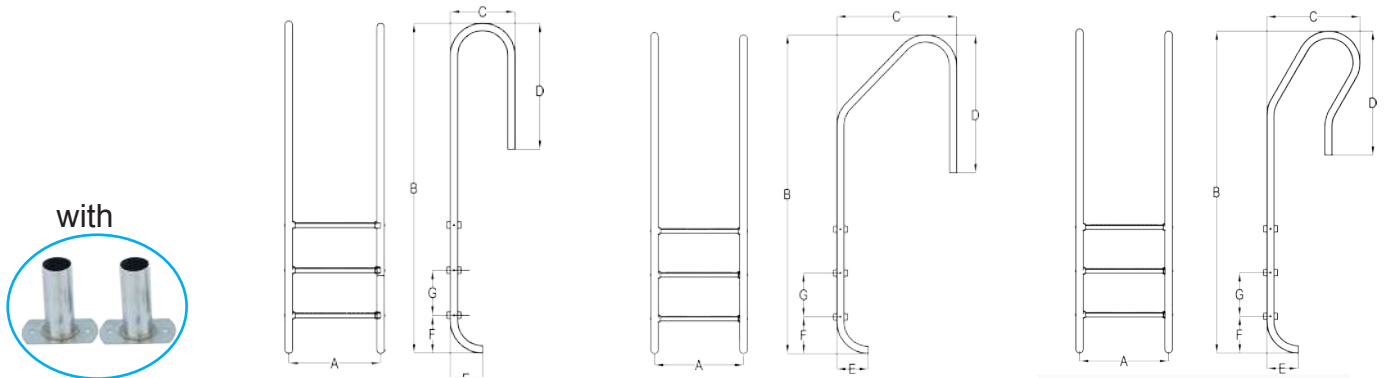
The stainless steel ladder is to fix on the wall of pools to helps people step into and walk out of the pools more safely and conveniently. The whole ladder is made of 304-L stainless steel, durable use and no pollution to pool water. The diameter of the tube is 42mm. The rubber feet will prevent the pool wall from scratches.

Features:

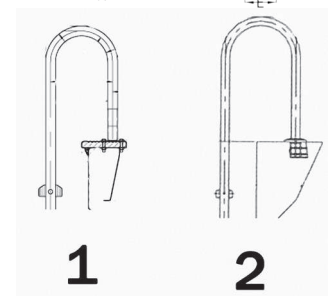
- Made of 304-L stainless steel
- Ø 42mm tubes
- Stainless steel treads with reinforced resin end pieces
- Flow drilling: The treads are fastened to the upright tubes through flow drilled holes on the tread sides and it ensures an impeccably smooth finish with no sharp edges likely to cause injury
- Come with 2 escutcheon plates in stainless steel
- Two versions are available: one delivered with 2 anchor sockets and one delivered with 2 anchor flanges (for wooden pools)



Dimensions



Picture 1 shows how to install on the wooden pool. According to installation size, use the screws to fix stainless steel foot and then hitch the ladder on the foot. And picture 2 shows how to install on the concrete pools. According to installation size, pre buried plastic foot of ladders and after the swimming pool built finished, insert the ladder on the plastic foot and screw tighten.



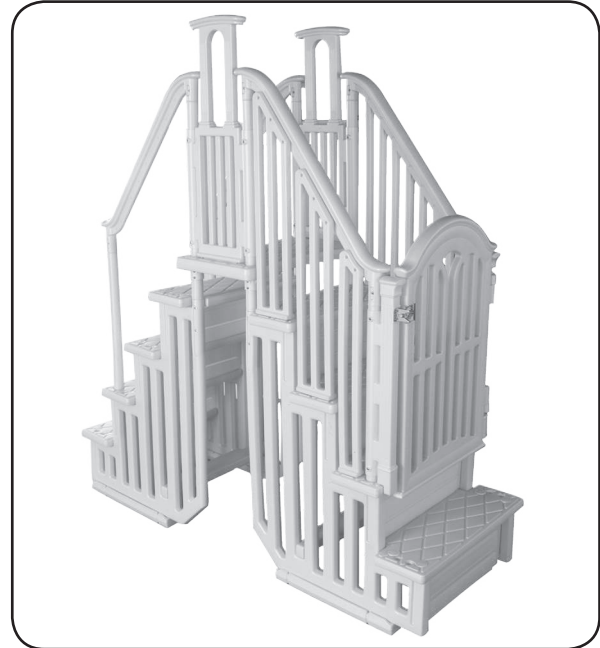
Model Number	Material	Foot	Application	Ctn. Qty.	Net. Weight
71516	Stainless Steel 304	Plastic	Concrete Pool	1	16 Lbs.
71517	Stainless Steel 304	Plastic	Concrete Pool	1	17 Lbs.
71518	Stainless Steel 304	Plastic	Concrete Pool	1	16.5 Lbs.
71536	Stainless Steel 304	Metal	Wooden Pool	1	16 Lbs.
71537	Stainless Steel 304	Metal	Wooden Pool	1	17 Lbs.
71538	Stainless Steel 304	Metal	Wooden Pool	1	16.5 Lbs.

Model Number	A mm(in)	B mm(in)	C mm(in)	D mm(in)	E mm(in)	F mm(in)	G mm(in)
71516/71536	492(19.37")	1580(62.2")	360(14.17")	700(27.6")	180(7.08")	210(8.27")	250(9.84")
71517/71537	492(19.37")	1570(61.8")	686(27")	788(31")	180(7.08")	210(8.27")	250(9.84")
71518/71538	492(19.37")	1580(62.2")	533(21")	709(27.9")	180(7.08")	210(8.27")	250(9.84")

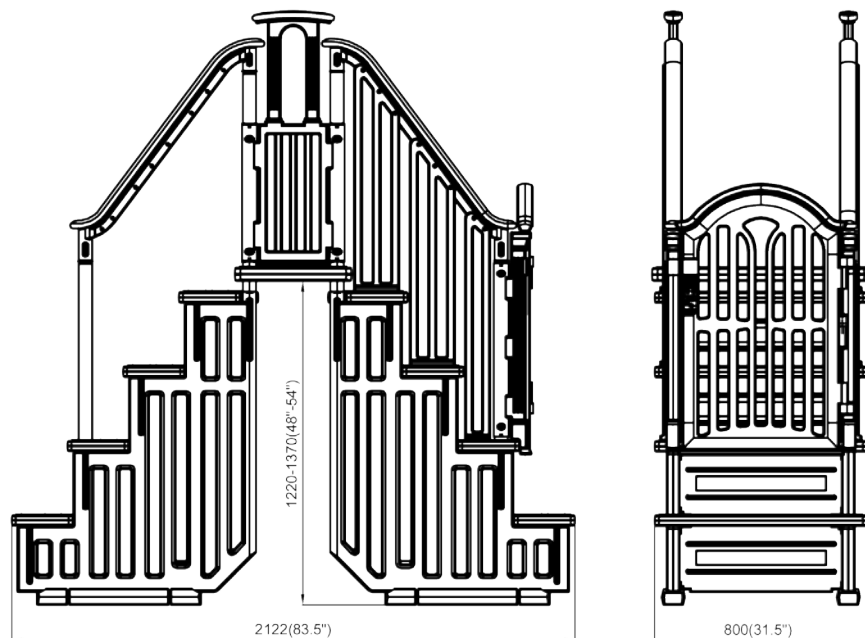
The ladder is designed for above-ground pools with safety gate. The better stability facilitates entry into and exit from the pool, and the adjustable platform make it can be used in today's most applications.

Features

- Easy installation
- Adjustable platform height from 122cm to 137cm.
- Safety door avoids children entering into the pool.
- Hand rails on both sides
- Non-slip, ergonomic and attractive
- Space under the step to allow circulation of water and prevent the formation of algae



Dimensions

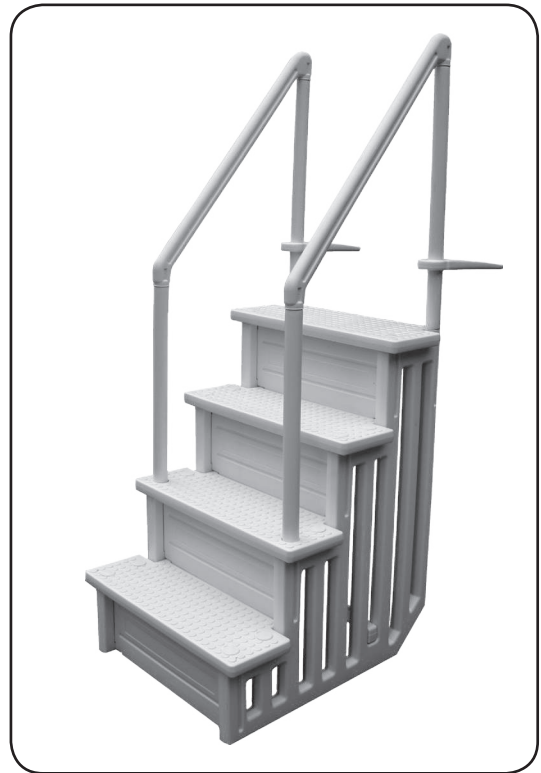


Model Number	Material	Application	Ctn. Qty.	Net. Weight
71501	HDPE	Above-ground pool	1	143.5 lbs.

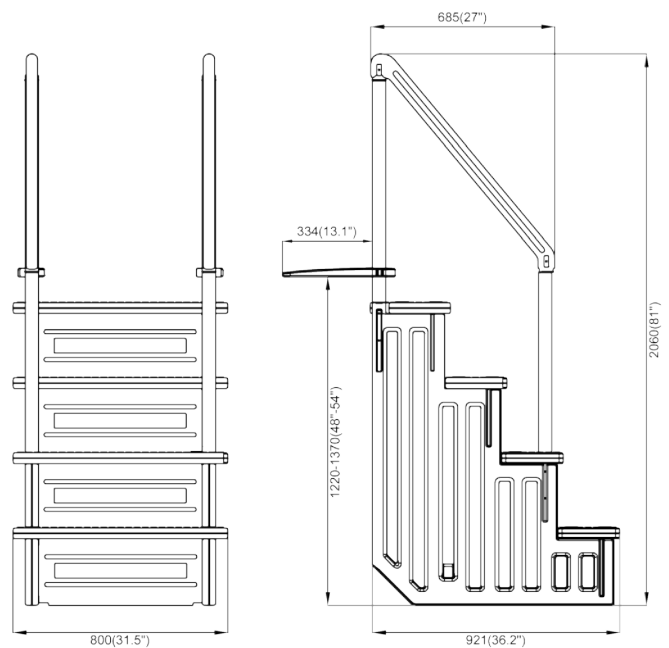
Quality and dependable blow molded PE ladder is an easy access for enter in/out of pools.

Features

- Easy installation
- Textured non-slip surface
- Hand rails on both sides
- Wide steps for safety
- Space under the step to allow circulation of water and prevent the formation of algae



Dimensions



Model Number	Material	Application	Ctn. Qty.	Net. Weight
71503	HDPE	Above-ground pool	1	48 lbs.

This series steps are especially for SPA. It provides an easy access to step in and walk out of SPA and you have variety of color could choose. The steps uses corrosion-proof plastic material with non-slip treads design. It is suitable for any shape of the SPA.



71504000



71504001

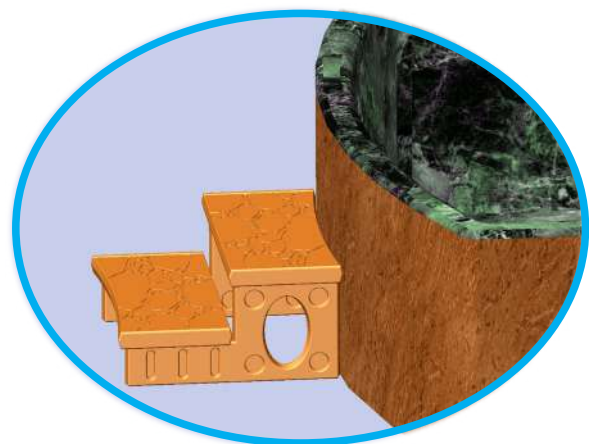
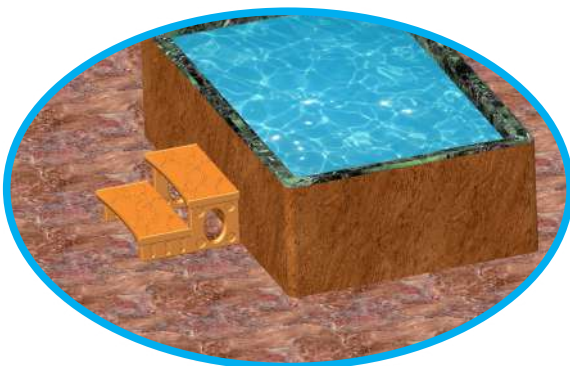
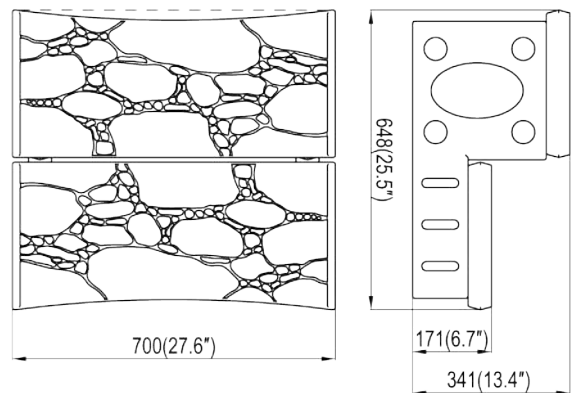


71504002

Features

- Easy installation
- 2 kinds of installation way are available according to the shape of the SPA.
- Durable use with non-slip treads design
- Three different color(white/black/moka)

Dimensions



Model Number	Material	Application	Color	Ctn. Qty.	Net. Weight	Carton Dimension (cm)
71504000	HDPE	SPA	White	1	12.7 lbs.	72x33x22
71504001	HDPE	SPA	Black	1	12.7 lbs.	72x33x22
71504002	HDPE	SPA	Moka	1	12.7 lbs.	72x33x22

Top-quality resin ladder

Features

- Resin Above Ground Deck Ladder Adjustable
Height 48" / 52" / 54"



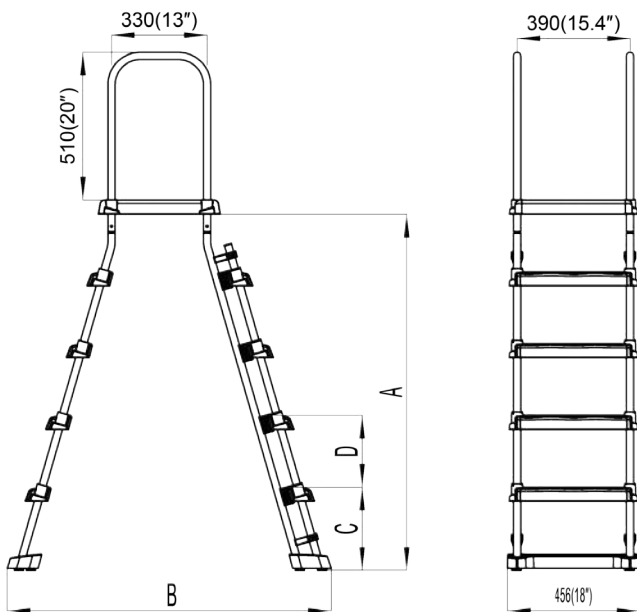
Model Number	Material	Application	Ctn. Qty.	Net. Weight	Carton Dimension (cm)
71539	pp	Above-ground pool	1	23.57 Lbs.	61X15.5X122

Features

- Especially designed for above-ground pools
- Big platform facilitate entry into and exit from the pool
- Two-side ladder (removable safety ladder outside)
- Textured non-slip surface
- Easy installation



Dimensions

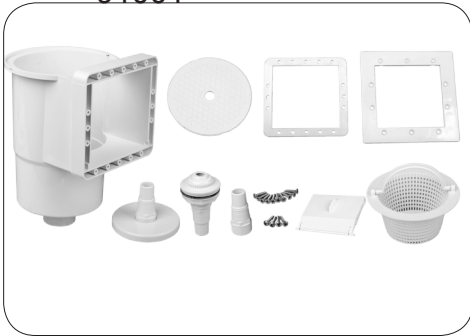


Model Number	height cm(in)	Application	A mm(in)	B mm(in)	C mm(in)	D mm(in)	Ctn. Qty.	Net. Weight
71540	132(52")	Above-ground pool	1330(52.3")	1175(46.2")	241(9.5")	272(10.7")	1	30 Lbs.
71541	122(48")	Above-ground pool	1240(48.8")	1124(44.2")	297(11.7")	248(9.7")	1	29.3 Lbs.
71542	100(40")	Above-ground pool	1045(41.1")	1012(39.8")	270(10.6")	258(10.1")	1	21.6 Lbs.

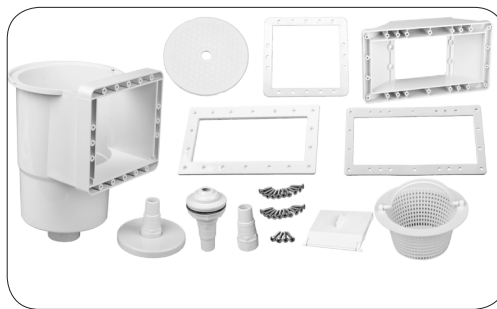
These series skimmers are molded of durable, non-corrosive engineering plastics. The optional wide track accessories provide bigger skimmer face opening, it allows for maximum skimming action. And the float valve provides maximum flexibility for your swimming pool application. The optional 12 volt LED light can be installed on any of these skimmers so it can combines the value of lighting system.



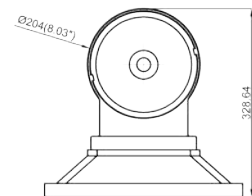
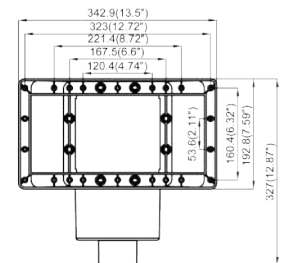
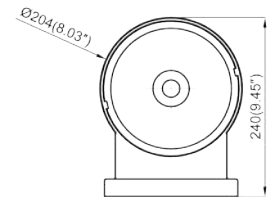
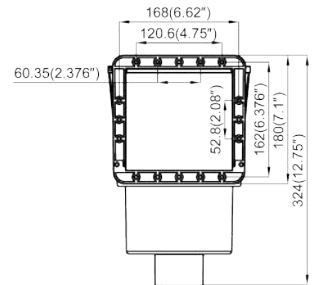
91001



91002



Dimensions

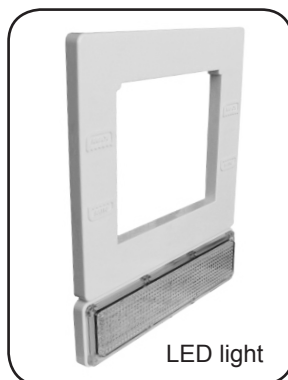


Features

- Durable, corrosive-proof one-piece construction
- Large debris collection basket
- Quick disconnect pipe connection
- Snap-in and removable weir
- Float valve provides a main drain thru skimmer system with an automatic
- safety by-pass for low water conditions

Optional Accessories

- 12 volt LED light
- Basket locker



Model Number	Material	Ctn. Qty.	Net. Weight	Carton Dimension (cm)
91001	ABS	1	1.88 lbs.	24*22*32.5
91002	ABS	1	2.5 lbs.	36.5*21*34



91026



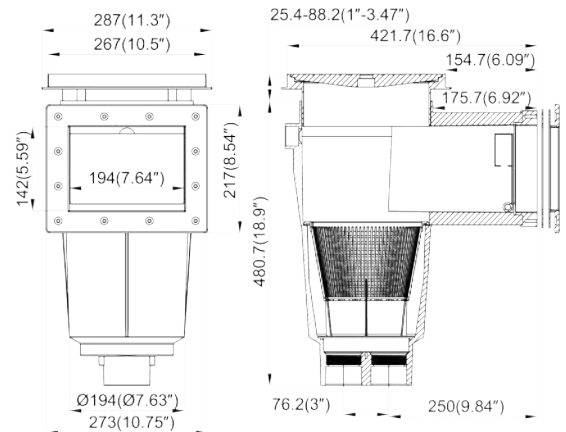
91027

It is a non-corrosive, large capacity automatic surface skimmer featuring a square, tamper-proof access cover, self-adjusting 8" weir with stainless steel spring for added strength, dual outlets, and threaded internal connections for pressure testing. The float valve provides a main drain thru skimmer system and an automatic safety bypass for low water conditions.

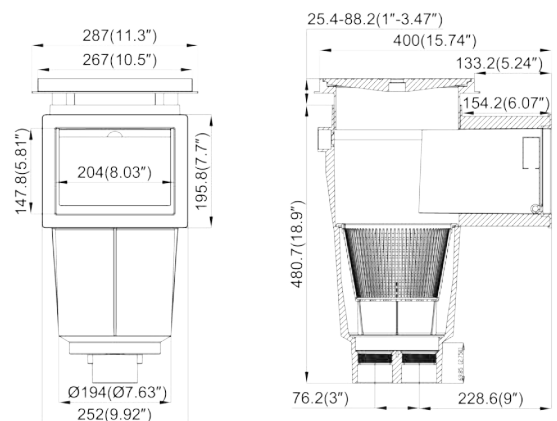
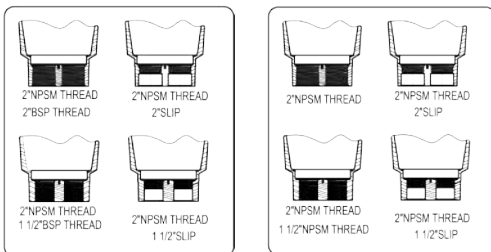
Features

- Durable, corrosion-proof one-piece construction
- Adjustable deck collar
- Self-adjusting 8" weir loaded with stainless steel spring
- Extra-large debris basket and multiple plumbing connections for easier connections
- Automatic by-pass for low water conditions

Dimensions



Pipe Size



Model Number	Material	Ctn. Qty.	Net. Weight	Carton Dimension (cm)
91026	ABS	1	8.8 lbs.	44*30*49
91027	ABS	1	7.7 lbs.	42*30*49



91029

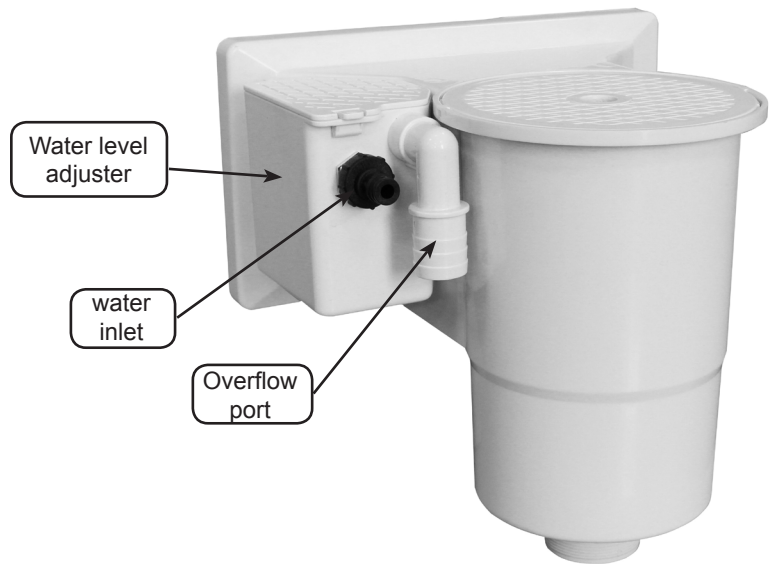
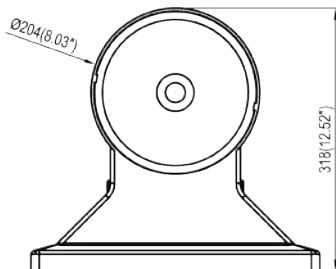
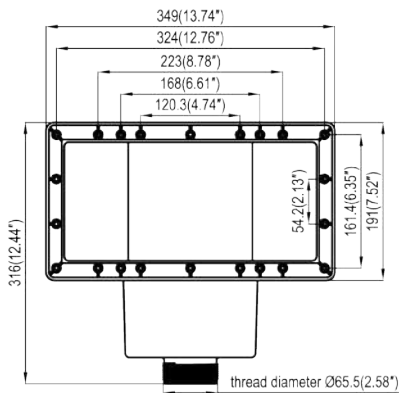
This wide track series skimmer is molded of durable, non-corrosive ABS with one-piece design. A wide skimmer face opening allows for maximum skimming action and float valve provides maximum flexibility for your swimming pool application. The optional water level adjuster can automatically manager your pool water level, it will supplement the water when the water level is blow the setting and drain the water when the level is too high. It packed with features at a value price.

Features

- Durable, corrosive-proof one-piece construction
- Large debris collection basket
- Quick disconnect pipe connection
- Snap-in and removable weir
- Float valve provides a main drain thru skimmer system with an automatic safety by-pass for low water conditions

Optional Accessories

- Water level adjuster
- 12 volt LED light
- Basket locker



91031

Model Number	Material	Ctn. Qty.	Net. Weight	Carton Dimension (cm)
91029	ABS	1	4.6 lbs.	37*32*34
91031	ABS	1	5 lbs.	37*32*34

Our above-ground pool series designed for children to enjoy the water happiness. The special cartoon pools with our high performance filter systems that make clean water to become children playing in wonderful sensory journey. It is willing to make millions of children’s dreams come true.

Features

- The unique cartoon design with increased thick iron wall to make it becomes an attractable pool in the market and extra long life time
- Ultra-durable with underwater world picture PVC liner is listed with SVHC/ECHA/REACH certifications
- Easy assembling
- Special packaging design used for delivery

Products list

- Pool Iron Wall
- PVC Liner
- Grounding Cloth
- Edgings
- A-frame Ladders





Recommend accessories

14 inch sand filter with 0.35HP pool pump
 Chlorinator 4.2Lbs
 Standard wall skimmer

Model Number	Description	Color	Ctn. Qty.
73601000	12' x 40"(3.66m x 1m)	White	1
73601001	12' x 40"(3.66m x 1m)	Blue	1
73602000	15' x 48"(4.6m x 1.2m)	White	1
73602001	15' x 48"(4.6m x 1.2m)	Blue	1



NINGBO SPLASH POOL APPLIANCE CO.,LTD

Add:Western part of yinxian Ave,Ningbo China

Postal code:315176

Tel:86 574 8800 1888

Fax:86 574 8805 8687

Web:www.splashpoolappliance.com